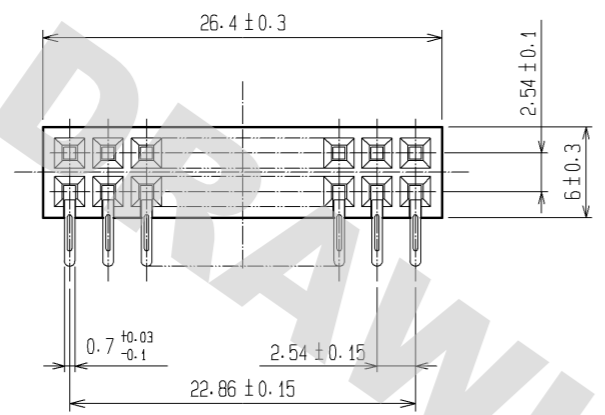


DRAWING FOR REFERENCE: This is subject to change without notice
08/11/2012

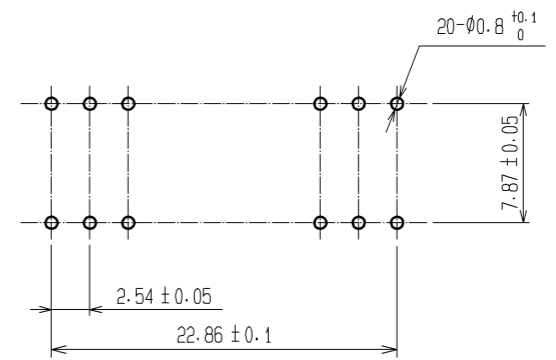
HRS

DRAWING FOR REFERENCE

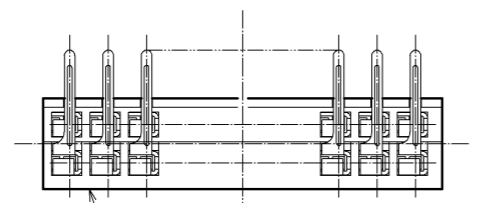
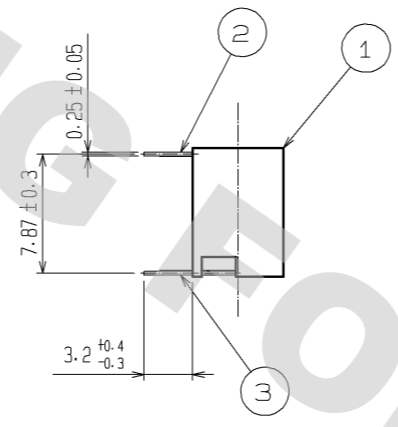
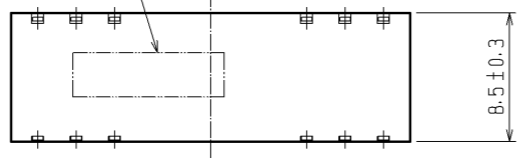
FOR REFERENCE



RECOMMENDED PC BOARD HOLE PATTERN



LOT No. MARKING(REVERSE SIDE)



NOTE 1. THE CONTACT CUT SECTION IS UNPLATED.

| | | | | | | | | |
|--------------------------------------|----------|-------------------------|----------|--------------------------------|--|----------|---------|------|
| 1 | PBT | BLACK (UL94V-0) | 2, 3 | PHOSPHOR BRONZE | CONTACT AREA:GOLD 0.2µm min. DIP AREA:TIN-PLATING 1µm min. UNDER PLATING:NICKEL 1µm min. | | | |
| NO. | MATERIAL | FINISH . REMARKS | NO. | MATERIAL | FINISH . REMARKS | | | |
| UNITS mm | | SCALE 2 : 1 | | COUNT | DESCRIPTION OF REVISIONS | DESIGNED | CHECKED | DATE |
| HRS HIROSE ELECTRIC CO., LTD. | | APPROVED : HS. OKAWA | 07.08.23 | DRAWING NO. EDC3-018033-21 | | | | |
| | | CHECED : HS. OZAWA | 07.08.23 | PART NO. HIF3H-20DB-2.54DS(71) | | | | |
| | | DESIGNED : KY. NAKAMURA | 07.08.23 | CODE NO. CL618-0143-5-71 | | | | |
| | | DRAWN : KY. NAKAMURA | 07.08.23 | | | | | |

X-ON Electronics

Largest Supplier of Electrical and Electronic Components

Click to view similar products for [Headers & Wire Housings](#) category:

Click to view products by [Hirose](#) manufacturer:

Other Similar products are found below :

[892-18-020-10-001101](#) [58102-G61-06LF](#) [582553-1](#) [0009485154](#) [009176003701906](#) [0050291907](#) [LY20-4P-DT1-P1E-BR](#) [02.125.8002.8](#)
[609-3404](#) [61062-3](#) [622-0430](#) [622-3653LF](#) [63453-116](#) [636-1030](#) [636-1427](#) [636-3427](#) [636-4007](#) [641938-9](#) [641991-4](#) [644827-2](#) [65817-010LF](#)
[65817-015LF](#) [65863-015LF](#) [66207-023LF](#) [67095-007LF](#) [67601157](#) [68648-049](#) [70.362.1628.0](#) [70-4210](#) [70-4226B](#) [70-4853B](#) [707-5020](#) [707-5028](#) [71.350.2428.0](#) [71918-208LF](#) [71961-016LF](#) [733-134](#) [733-162](#) [754199-000](#) [760-3052](#) [787-8014-00](#) [79531-3000](#) [FCN-360C032-B](#) [FCN-367T-T012/H](#) [FCN-723D010/2](#) [80.063.4001.1](#) [800-90-001-10-001000](#) [800-90-010-10-002000](#) [801-43-002-10-013000](#) [801-43-006-10-002000](#)