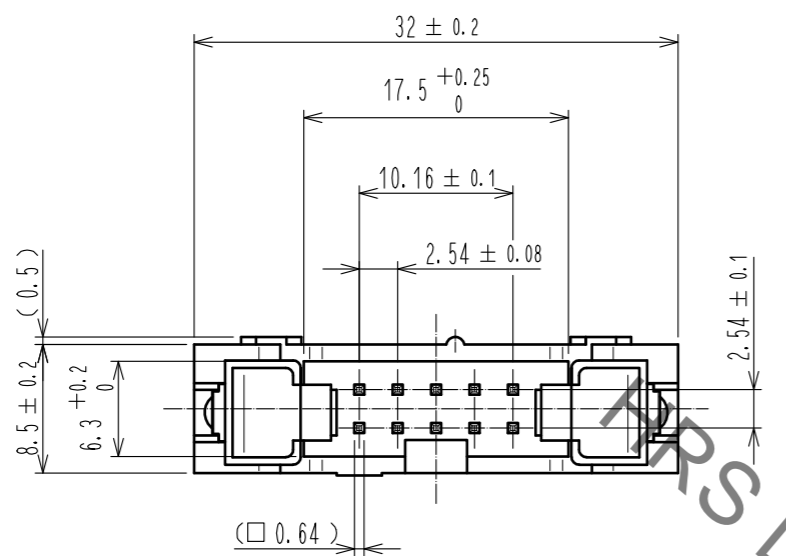
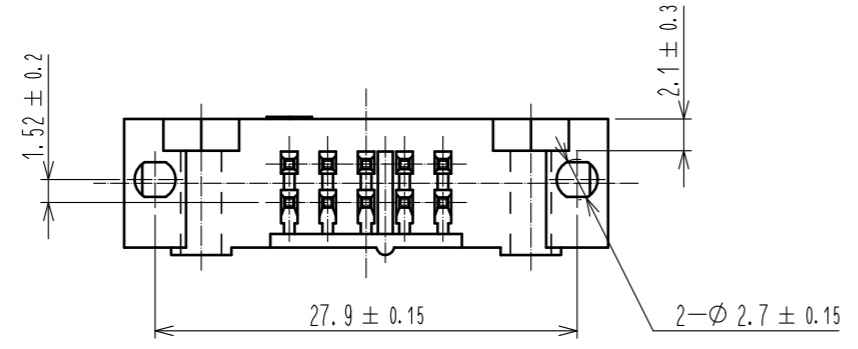
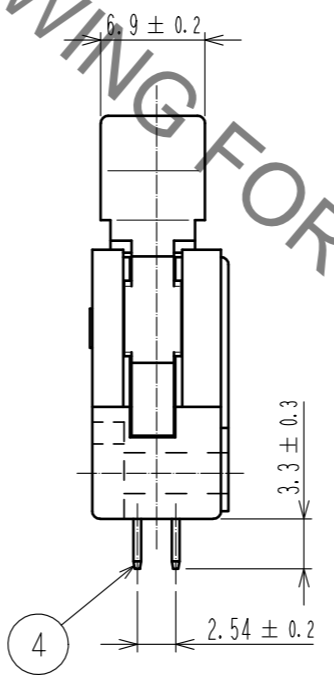
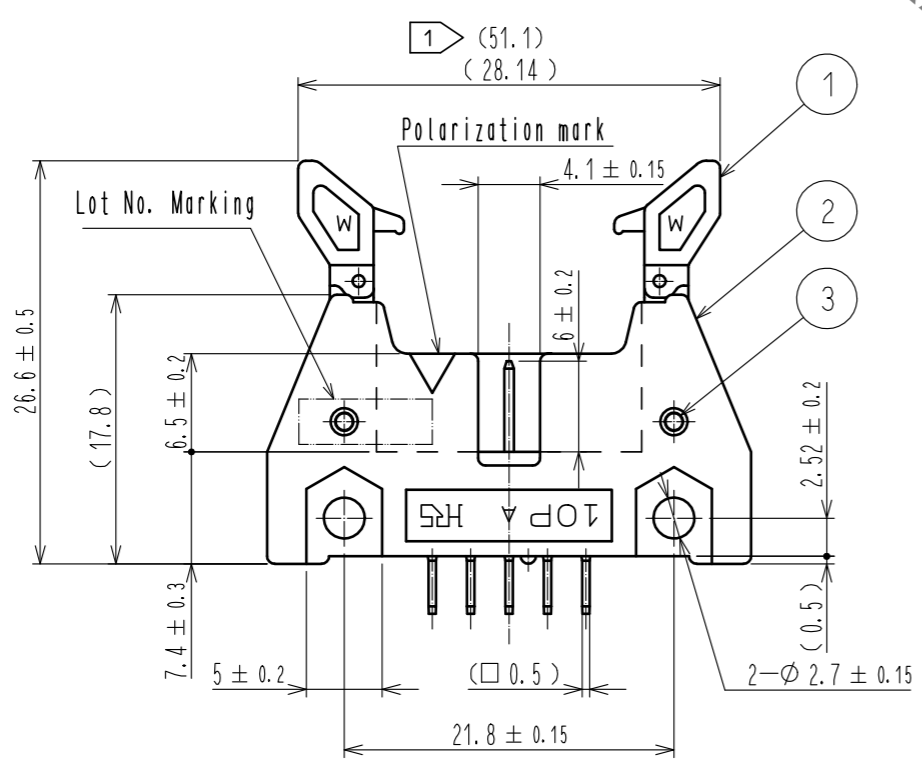
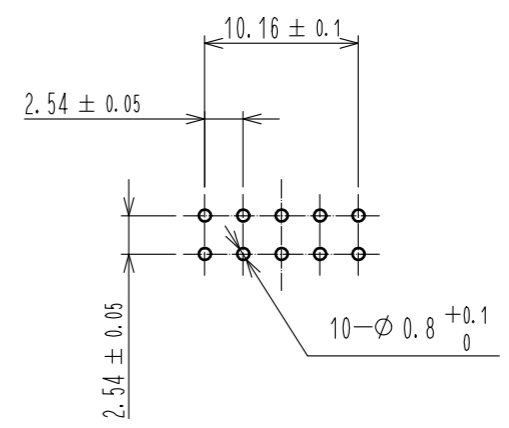


Dec.1.2022 Copyright 2022 HIROSE ELECTRIC CO., LTD. All Rights Reserved.
 In case of consideration for using Automotive equipment / device which demand high reliability, kindly contact our sales window correspondents.



Recommended PC board hole pattern



- Notes
- 1 The upper row dimension shows when the lock open out.
 - 2 The dimensions in parentheses are for reference.
 - 3 UL(File No.E52653)
C-UL(File No.E52653) authorization article.



3	STAINLESS			4	BRASS	Contact area : Gold 0.15μm min	
2	PBT	BLACK	UL94V-0			Dip area : TIN-Plating 2μm min	
1	PBT	BLACK	UL94V-0			Under plating : Nickel 2.5μm min	
NO.	MATERIAL	FINISH	REMARKS	NO.	MATERIAL	FINISH . REMARKS	
UNITS	mm	SCALE	2 : 1	COUNT	1	DESCRIPTION OF REVISIONS	
						DESIGNED	
						CHECKED	
						DATE	
						AK. IWAHORI	
						HT. YAMAGUCHI	
						20200306	
APPROVED : HT. YAMAGUCHI		20181210		DRAWING NO.			EDC-361206-63-00
CHECKED : HT. YAMAGUCHI		20181210		PART NO.			HIF3MDW-10PA-2.54DSA(63)
DESIGNED : HR. NAGAYASU		20181207		CODE NO.			CL610-3601-3-63
DRAWN : TS. HORI		20181207					1/1

X-ON Electronics

Largest Supplier of Electrical and Electronic Components

Click to view similar products for [Headers & Wire Housings](#) category:

Click to view products by [Hirose](#) manufacturer:

Other Similar products are found below :

[0015917161](#) [0022155065](#) [57102-F02-18ULF](#) [58102-G61-06LF](#) [582553-1](#) [01.001.5753.1](#) [0050291907](#) [02.125.8002.8](#) [609-3404](#) [61062-3](#)
[CSU011177004](#) [622-0430](#) [622-3653LF](#) [63453-116](#) [636-1030](#) [636-1427](#) [636-3427](#) [636-4007](#) [641938-9](#) [65495-038](#) [65692-001LF](#) [65781-018](#)
[65781-047](#) [65817-010LF](#) [65817-015LF](#) [67095-007LF](#) [67601157](#) [68631-112](#) [68645-018](#) [699319-000](#) [70.362.1628.0](#) [70-4210](#) [70-4226B](#) [70-](#)
[4853B](#) [71.350.2428.0](#) [733-134](#) [733-162](#) [760-3052](#) [MHR-64-VUAL](#) [80.063.4001.1](#) [800-90-001-10-001000](#) [801-43-002-10-013000](#)
[801-43-006-10-002000](#) [803-43-024-10-001000](#) [803-93-012-10-001000](#) [8-1437020-4](#) [819-22-004-30-001101](#) [820-22-006-30-001101](#)
[820-22-008-30-001101](#) [821-22-002-10-001101](#)