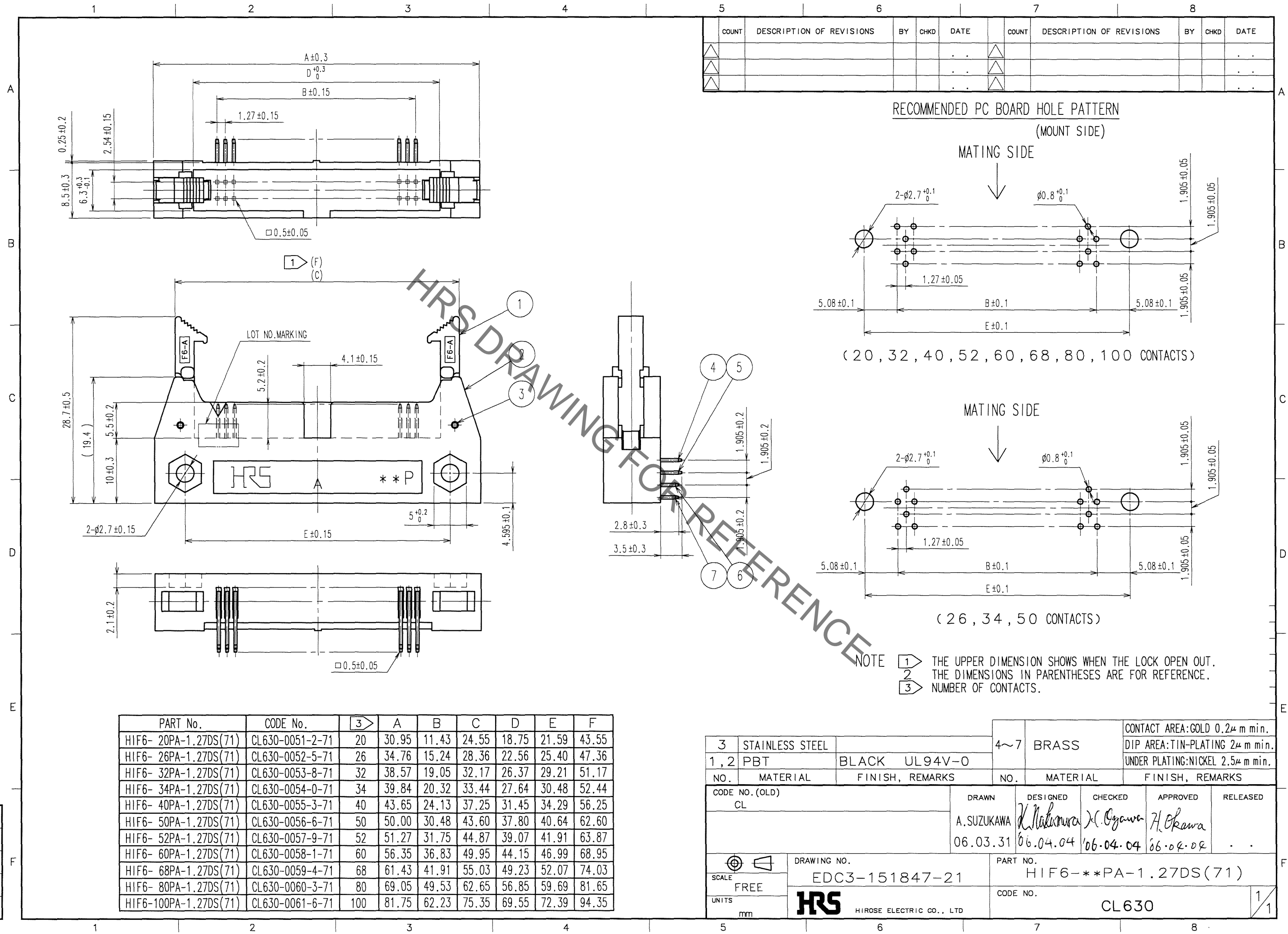


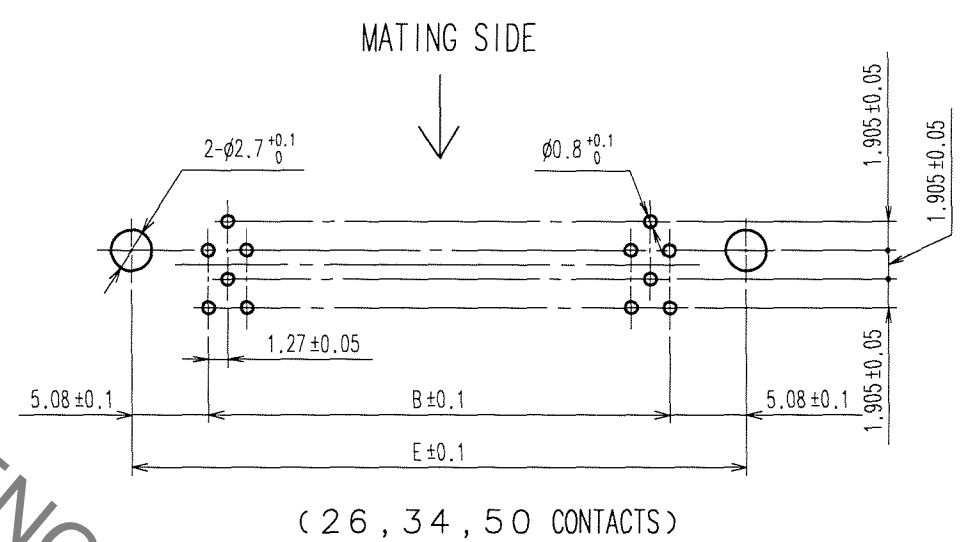
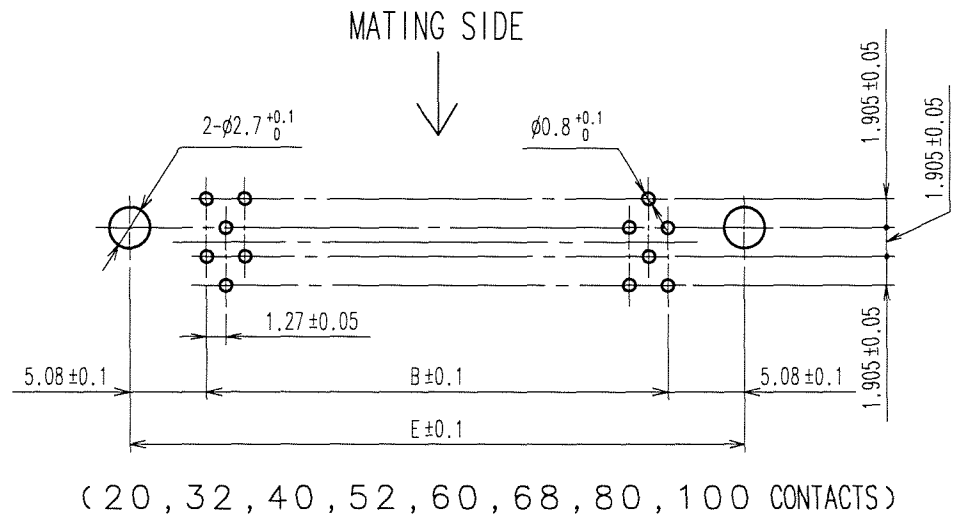
Sep.1.2021 Copyright 2021 HIROSE ELECTRIC CO., LTD. All Rights Reserved.
In case of consideration for using Automotive equipment / device which demand high reliability, kindly contact our sales window correspondents.

TO
PCK



COUNT	DESCRIPTION OF REVISIONS	BY	CHKD	DATE	COUNT	DESCRIPTION OF REVISIONS	BY	CHKD	DATE

RECOMMENDED PC BOARD HOLE PATTERN
(MOUNT SIDE)



NOTE
 1 THE UPPER DIMENSION SHOWS WHEN THE LOCK OPEN OUT.
 2 THE DIMENSIONS IN PARENTHESES ARE FOR REFERENCE.
 3 NUMBER OF CONTACTS.

PART No.	CODE No.	3	A	B	C	D	E	F
HIF6- 20PA-1.27DS(71)	CL630-0051-2-71	20	30.95	11.43	24.55	18.75	21.59	43.55
HIF6- 26PA-1.27DS(71)	CL630-0052-5-71	26	34.76	15.24	28.36	22.56	25.40	47.36
HIF6- 32PA-1.27DS(71)	CL630-0053-8-71	32	38.57	19.05	32.17	26.37	29.21	51.17
HIF6- 34PA-1.27DS(71)	CL630-0054-0-71	34	39.84	20.32	33.44	27.64	30.48	52.44
HIF6- 40PA-1.27DS(71)	CL630-0055-3-71	40	43.65	24.13	37.25	31.45	34.29	56.25
HIF6- 50PA-1.27DS(71)	CL630-0056-6-71	50	50.00	30.48	43.60	37.80	40.64	62.60
HIF6- 52PA-1.27DS(71)	CL630-0057-9-71	52	51.27	31.75	44.87	39.07	41.91	63.87
HIF6- 60PA-1.27DS(71)	CL630-0058-1-71	60	56.35	36.83	49.95	44.15	46.99	68.95
HIF6- 68PA-1.27DS(71)	CL630-0059-4-71	68	61.43	41.91	55.03	49.23	52.07	74.03
HIF6- 80PA-1.27DS(71)	CL630-0060-3-71	80	69.05	49.53	62.65	56.85	59.69	81.65
HIF6-100PA-1.27DS(71)	CL630-0061-6-71	100	81.75	62.23	75.35	69.55	72.39	94.35

3	STAINLESS STEEL	4~7	BRASS	CONTACT AREA: GOLD 0.2μm min. DIP AREA: TIN-PLATING 2μm min. UNDER PLATING: NICKEL 2.5μm min.		
1, 2	PBT	BLACK UL94V-0				
NO.	MATERIAL	FINISH, REMARKS	NO.	MATERIAL	FINISH, REMARKS	
CODE NO. (OLD) CL		DRAWN A. SUZUKAWA	DESIGNED <i>K. Nakamura</i>	CHECKED <i>K. Oyama</i>	APPROVED <i>H. Okawa</i>	RELEASED
		06.03.31	06.04.04	06.04.04	06.04.04	
DRAWING NO. EDC3-151847-21		PART NO. HIF6-**-PA-1.27DS(71)				
SCALE FREE		UNITS mm		CODE NO. CL630		
		HRS HIROSE ELECTRIC CO., LTD		1/1		

X-ON Electronics

Largest Supplier of Electrical and Electronic Components

Click to view similar products for [Headers & Wire Housings](#) category:

Click to view products by [Hirose](#) manufacturer:

Other Similar products are found below :

[892-18-020-10-001101](#) [58102-G61-06LF](#) [582553-1](#) [0009485154](#) [009176003701906](#) [0050291907](#) [LY20-4P-DT1-P1E-BR](#) [02.125.8002.8](#)
[609-3404](#) [61062-3](#) [622-0430](#) [622-3653LF](#) [63453-116](#) [636-1030](#) [636-1427](#) [636-3427](#) [636-4007](#) [641938-9](#) [641991-4](#) [644827-2](#) [65817-010LF](#)
[65817-015LF](#) [65863-015LF](#) [66207-023LF](#) [67095-007LF](#) [67601157](#) [68648-049](#) [70.362.1628.0](#) [70-4210](#) [70-4226B](#) [70-4853B](#) [707-5020](#) [707-](#)
[5028](#) [71.350.2428.0](#) [71918-208LF](#) [71961-016LF](#) [733-134](#) [733-162](#) [754199-000](#) [760-3052](#) [787-8014-00](#) [79531-3000](#) [FCN-360C032-B](#) [FCN-](#)
[367T-T012/H](#) [FCN-723D010/2](#) [80.063.4001.1](#) [800-90-001-10-001000](#) [800-90-010-10-002000](#) [801-43-002-10-013000](#) [801-43-006-10-002000](#)