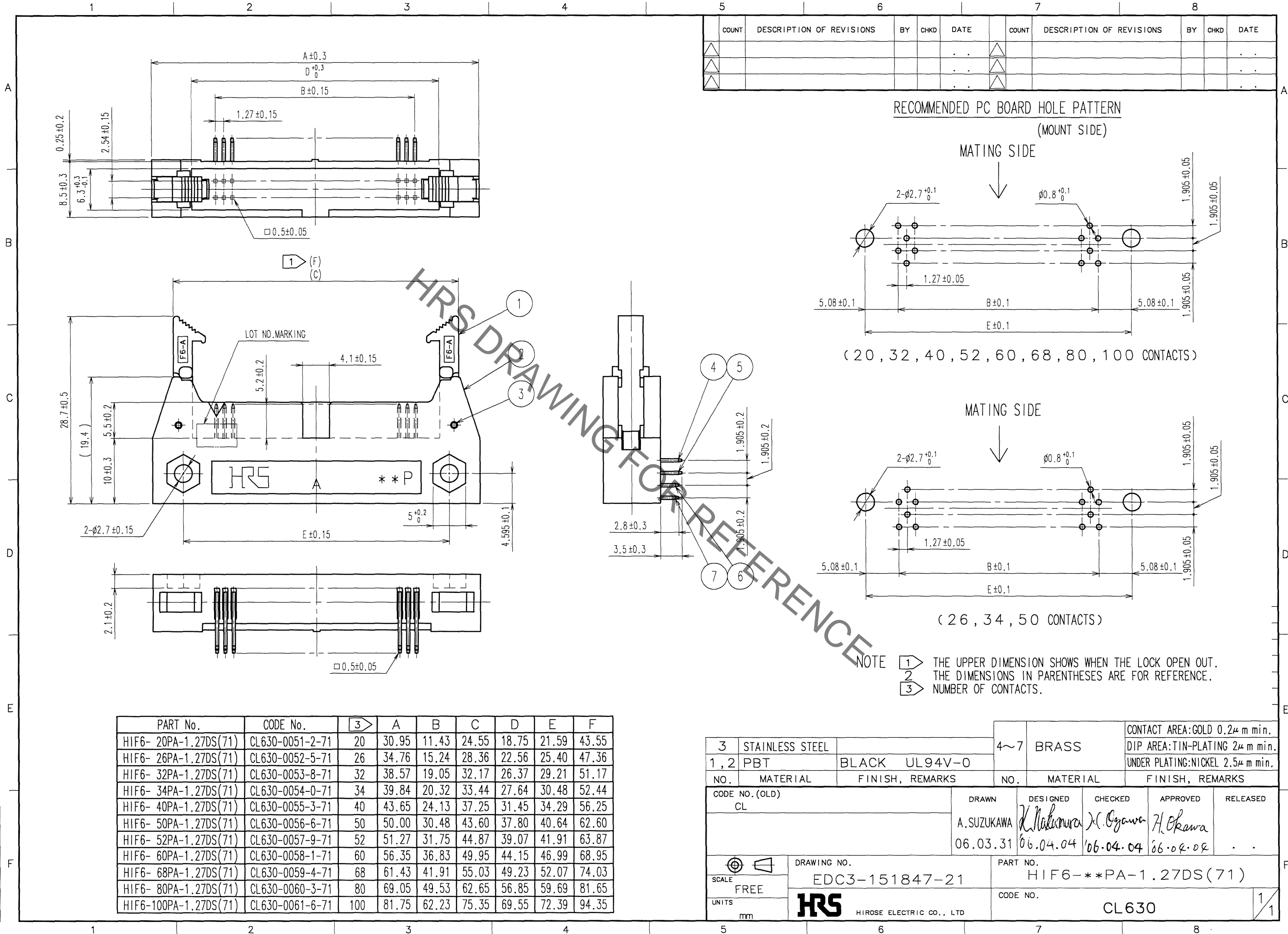


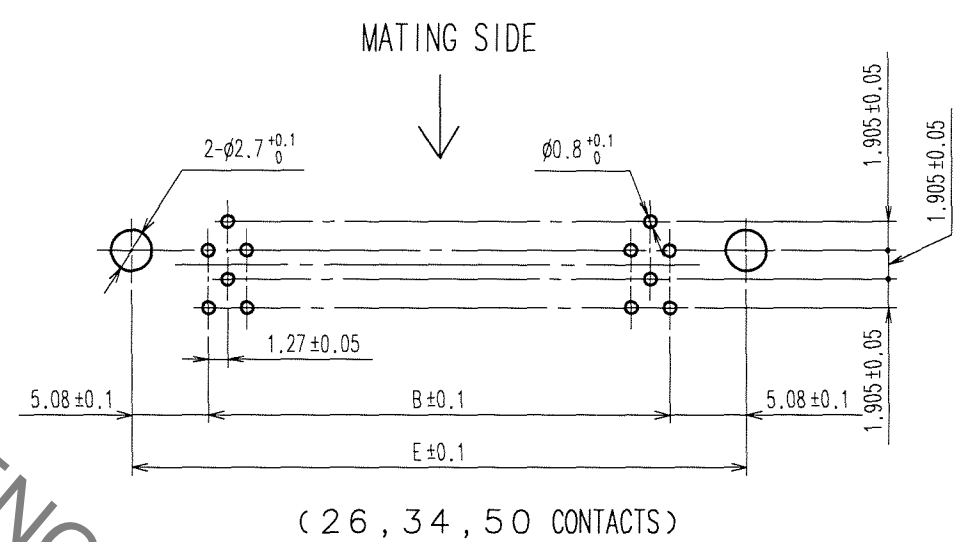
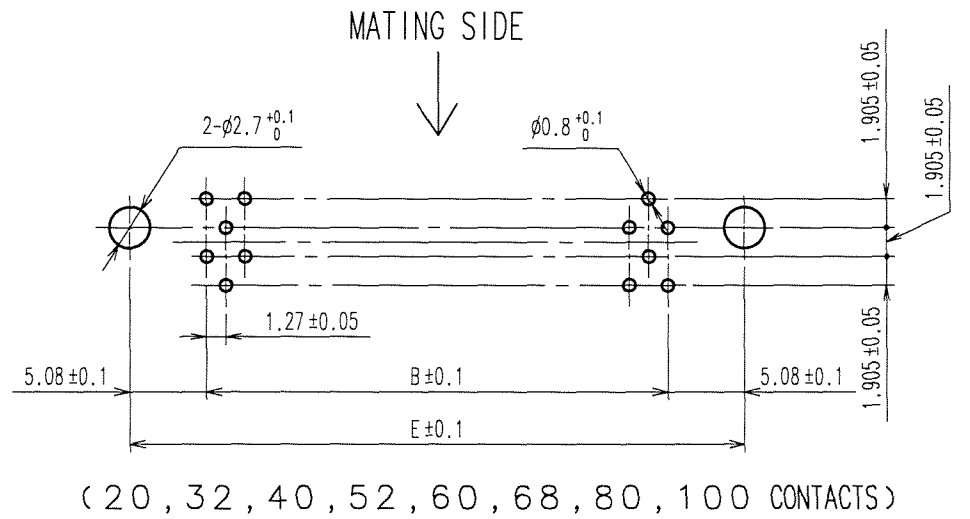
Sep.1.2021 Copyright 2021 HIROSE ELECTRIC CO., LTD. All Rights Reserved.  
In case of consideration for using Automotive equipment / device which demand high reliability, kindly contact our sales window correspondents.

TO  
PCK



COUNT	DESCRIPTION OF REVISIONS	BY	CHKD	DATE	COUNT	DESCRIPTION OF REVISIONS	BY	CHKD	DATE
△					△				
△					△				
△					△				

RECOMMENDED PC BOARD HOLE PATTERN  
(MOUNT SIDE)



NOTE

- ① THE UPPER DIMENSION SHOWS WHEN THE LOCK OPEN OUT.
- ② THE DIMENSIONS IN PARENTHESES ARE FOR REFERENCE.
- ③ NUMBER OF CONTACTS.

PART No.	CODE No.	③	A	B	C	D	E	F
HIF6- 20PA-1.27DS(71)	CL630-0051-2-71	20	30.95	11.43	24.55	18.75	21.59	43.55
HIF6- 26PA-1.27DS(71)	CL630-0052-5-71	26	34.76	15.24	28.36	22.56	25.40	47.36
HIF6- 32PA-1.27DS(71)	CL630-0053-8-71	32	38.57	19.05	32.17	26.37	29.21	51.17
HIF6- 34PA-1.27DS(71)	CL630-0054-0-71	34	39.84	20.32	33.44	27.64	30.48	52.44
HIF6- 40PA-1.27DS(71)	CL630-0055-3-71	40	43.65	24.13	37.25	31.45	34.29	56.25
HIF6- 50PA-1.27DS(71)	CL630-0056-6-71	50	50.00	30.48	43.60	37.80	40.64	62.60
HIF6- 52PA-1.27DS(71)	CL630-0057-9-71	52	51.27	31.75	44.87	39.07	41.91	63.87
HIF6- 60PA-1.27DS(71)	CL630-0058-1-71	60	56.35	36.83	49.95	44.15	46.99	68.95
HIF6- 68PA-1.27DS(71)	CL630-0059-4-71	68	61.43	41.91	55.03	49.23	52.07	74.03
HIF6- 80PA-1.27DS(71)	CL630-0060-3-71	80	69.05	49.53	62.65	56.85	59.69	81.65
HIF6-100PA-1.27DS(71)	CL630-0061-6-71	100	81.75	62.23	75.35	69.55	72.39	94.35

3	STAINLESS STEEL	4~7	BRASS	CONTACT AREA: GOLD 0.2μm min. DIP AREA: TIN-PLATING 2μm min. UNDER PLATING: NICKEL 2.5μm min.		
1, 2	PBT	BLACK UL94V-0				
NO.	MATERIAL	FINISH, REMARKS	NO.	MATERIAL	FINISH, REMARKS	
CODE NO. (OLD) CL		DRAWN A. SUZUKAWA	DESIGNED <i>K. Nakamura</i>	CHECKED <i>K. Oyama</i>	APPROVED <i>H. Okawa</i>	RELEASED
		06.03.31	06.04.04	06.04.04	06.04.04	
DRAWING NO. EDC3-151847-21		PART NO. HIF6-**-PA-1.27DS(71)				
SCALE FREE		UNITS mm		CODE NO. CL630		
		<b>HRS</b> HIROSE ELECTRIC CO., LTD		1/1		

## X-ON Electronics

Largest Supplier of Electrical and Electronic Components

*Click to view similar products for [Headers & Wire Housings](#) category:*

*Click to view products by [Hirose](#) manufacturer:*

Other Similar products are found below :

[892-18-020-10-001101](#) [58102-G61-06LF](#) [582553-1](#) [0009485154](#) [009176003701906](#) [0050291907](#) [LY20-4P-DT1-P1E-BR](#) [02.125.8002.8](#)  
[609-3404](#) [61062-3](#) [622-0430](#) [622-3653LF](#) [63453-116](#) [636-1030](#) [636-1427](#) [636-3427](#) [636-4007](#) [641938-9](#) [641991-4](#) [644827-2](#) [65817-010LF](#)  
[65817-015LF](#) [65863-015LF](#) [66207-023LF](#) [67095-007LF](#) [67601157](#) [68648-049](#) [70.362.1628.0](#) [70-4210](#) [70-4226B](#) [70-4853B](#) [707-5020](#) [707-5028](#) [71.350.2428.0](#) [71918-208LF](#) [71961-016LF](#) [733-134](#) [733-162](#) [754199-000](#) [760-3052](#) [787-8014-00](#) [79531-3000](#) [FCN-360C032-B](#) [FCN-367T-T012/H](#) [FCN-723D010/2](#) [80.063.4001.1](#) [800-90-001-10-001000](#) [800-90-010-10-002000](#) [801-43-002-10-013000](#) [801-43-006-10-002000](#)