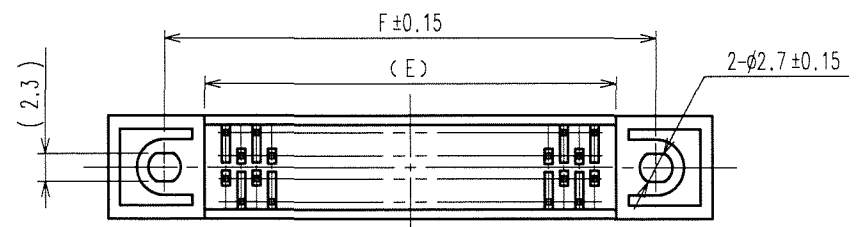
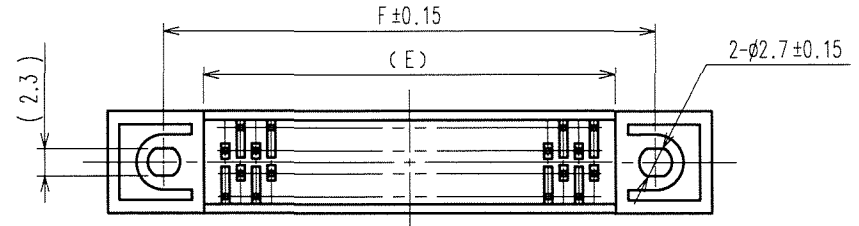
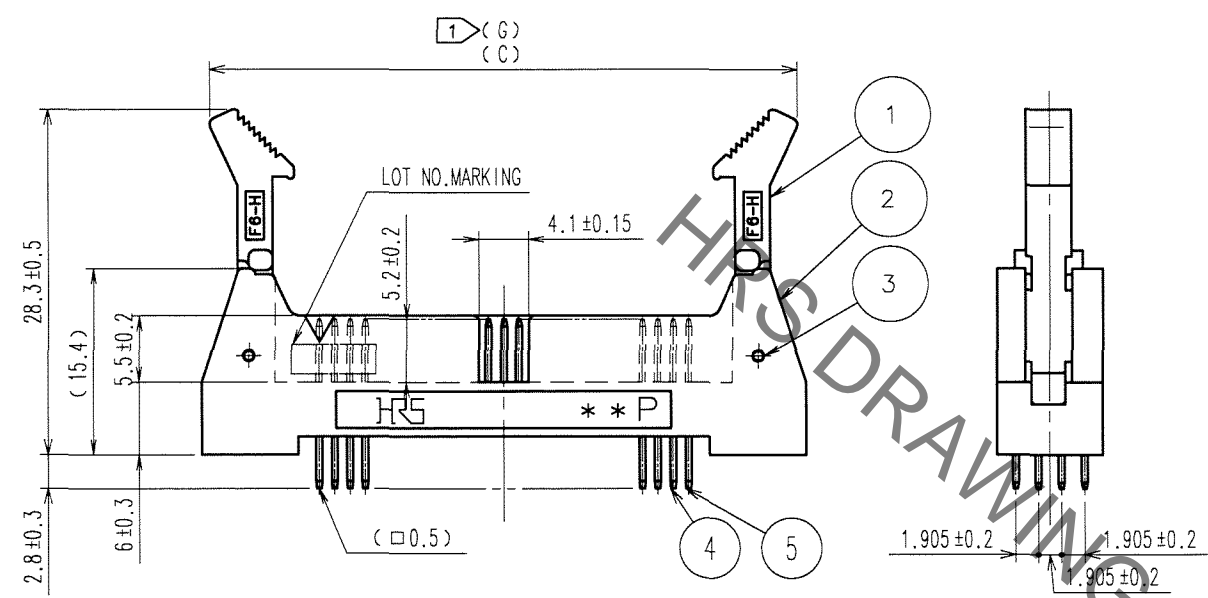
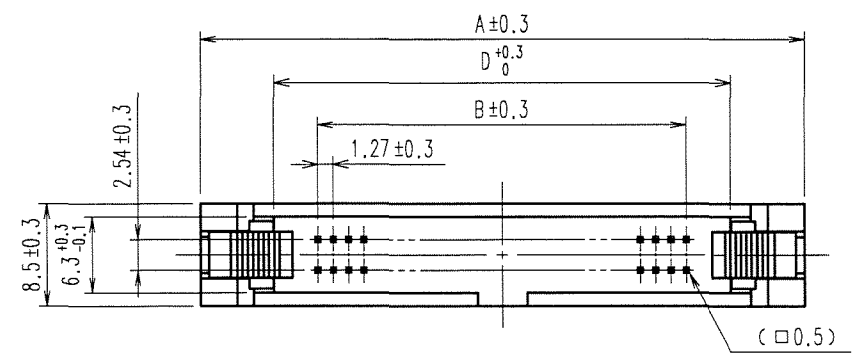
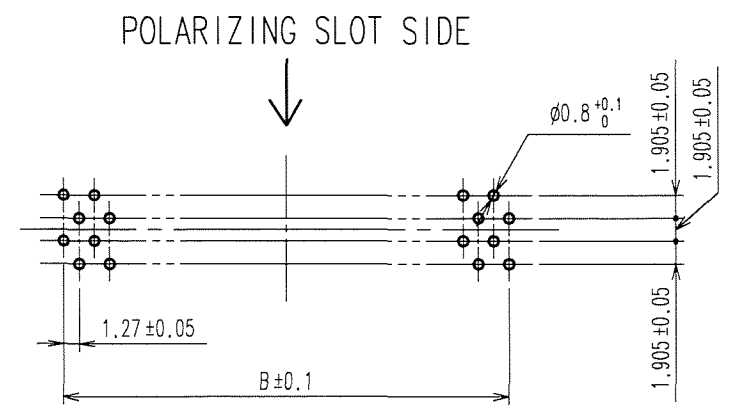


Sep.1.2021 Copyright 2021 HIROSE ELECTRIC CO., LTD. All Rights Reserved.
In case of consideration for using Automotive equipment / device which demand high reliability, kindly contact our sales window correspondents.

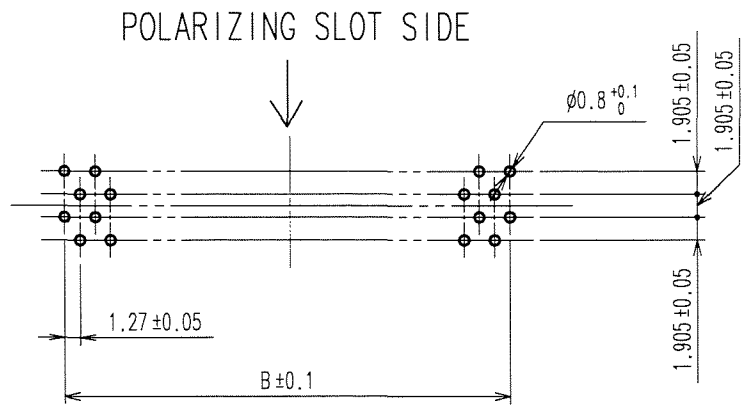


COUNT	DESCRIPTION OF REVISIONS	BY	CHKD	DATE	COUNT	DESCRIPTION OF REVISIONS	BY	CHKD	DATE
△				..	△				..
△				..	△				..
△				..	△				..

RECOMMENDED PC BOARD HOLE PATTERN
(MOUNT SIDE)



(40, 60, 80, 100 CONTACTS)



(34, 50 CONTACTS)

- NOTE 1 THE UPPER DIMENSION SHOWS WHEN THE LOCK OPEN OUT.
2 THE DIMENSIONS IN PARENTHESES ARE FOR REFERENCE.
3 NUMBER OF CONTACTS.

PART No.	CODE No.	3	A	B	C	D	E	F	G
HIF6H-34PA-1.27DSA(71)	CL630-0176-8-71	34	39.84	20.32	38.24	27.64	23.84	30.48	59.64
HIF6H-40PA-1.27DSA(71)	CL630-0171-4-71	40	43.65	24.13	42.05	31.45	27.65	34.29	63.45
HIF6H-50PA-1.27DSA(71)	CL630-0172-7-71	50	50.00	30.48	48.40	37.80	34.00	40.64	69.80
HIF6H-60PA-1.27DSA(71)	CL630-0173-0-71	60	56.35	36.83	54.75	44.15	40.35	46.99	76.15
HIF6H-80PA-1.27DSA(71)	CL630-0174-2-71	80	69.05	49.53	67.45	56.85	53.05	59.69	88.85
HIF6H-100PA-1.27DSA(71)	CL630-0175-5-71	100	81.75	62.23	80.15	69.55	65.75	72.39	101.55

3	STAINLESS STEEL	4, 5	BRASS	CONTACT AREA: GOLD 0.2μm min.	
1, 2	PBT	BLACK UL94V-0		DIP AREA: TIN-PLATING 2μm min.	
NO.	MATERIAL	FINISH, REMARKS	NO.	MATERIAL	FINISH, REMARKS

CODE NO. (OLD) CL	DRAWN A.SUZUKAWA 06.03.31	DESIGNED <i>K. Nakamura</i> 06.04.04	CHECKED <i>K. Ogoawa</i> 06.04.04	APPROVED <i>H. Okawa</i> 06.04.04	RELEASED ..
----------------------	---------------------------------	--	---	---	----------------

SCALE FREE	DRAWING NO. EDC3-154463-21	PART NO. HIF6H-**PA-1.27DSA(71)
UNITS mm	HRS HIROSE ELECTRIC CO., LTD	CODE NO. CL630

TO
PCK

1/1

X-ON Electronics

Largest Supplier of Electrical and Electronic Components

Click to view similar products for [Headers & Wire Housings](#) category:

Click to view products by [Hirose](#) manufacturer:

Other Similar products are found below :

[892-18-020-10-001101](#) [58102-G61-06LF](#) [582553-1](#) [0009485154](#) [009176003701906](#) [0050291907](#) [LY20-4P-DT1-P1E-BR](#) [02.125.8002.8](#)
[609-3404](#) [61062-3](#) [622-0430](#) [622-3653LF](#) [63453-116](#) [636-1030](#) [636-1427](#) [636-3427](#) [636-4007](#) [641938-9](#) [641991-4](#) [644827-2](#) [65817-010LF](#)
[65817-015LF](#) [65863-015LF](#) [66207-023LF](#) [67095-007LF](#) [67601157](#) [68648-049](#) [70.362.1628.0](#) [70-4210](#) [70-4226B](#) [70-4853B](#) [707-5020](#) [707-5028](#) [71.350.2428.0](#) [71918-208LF](#) [71961-016LF](#) [733-134](#) [733-162](#) [754199-000](#) [760-3052](#) [787-8014-00](#) [79531-3000](#) [FCN-360C032-B](#) [FCN-367T-T012/H](#) [FCN-723D010/2](#) [80.063.4001.1](#) [800-90-001-10-001000](#) [800-90-010-10-002000](#) [801-43-002-10-013000](#) [801-43-006-10-002000](#)