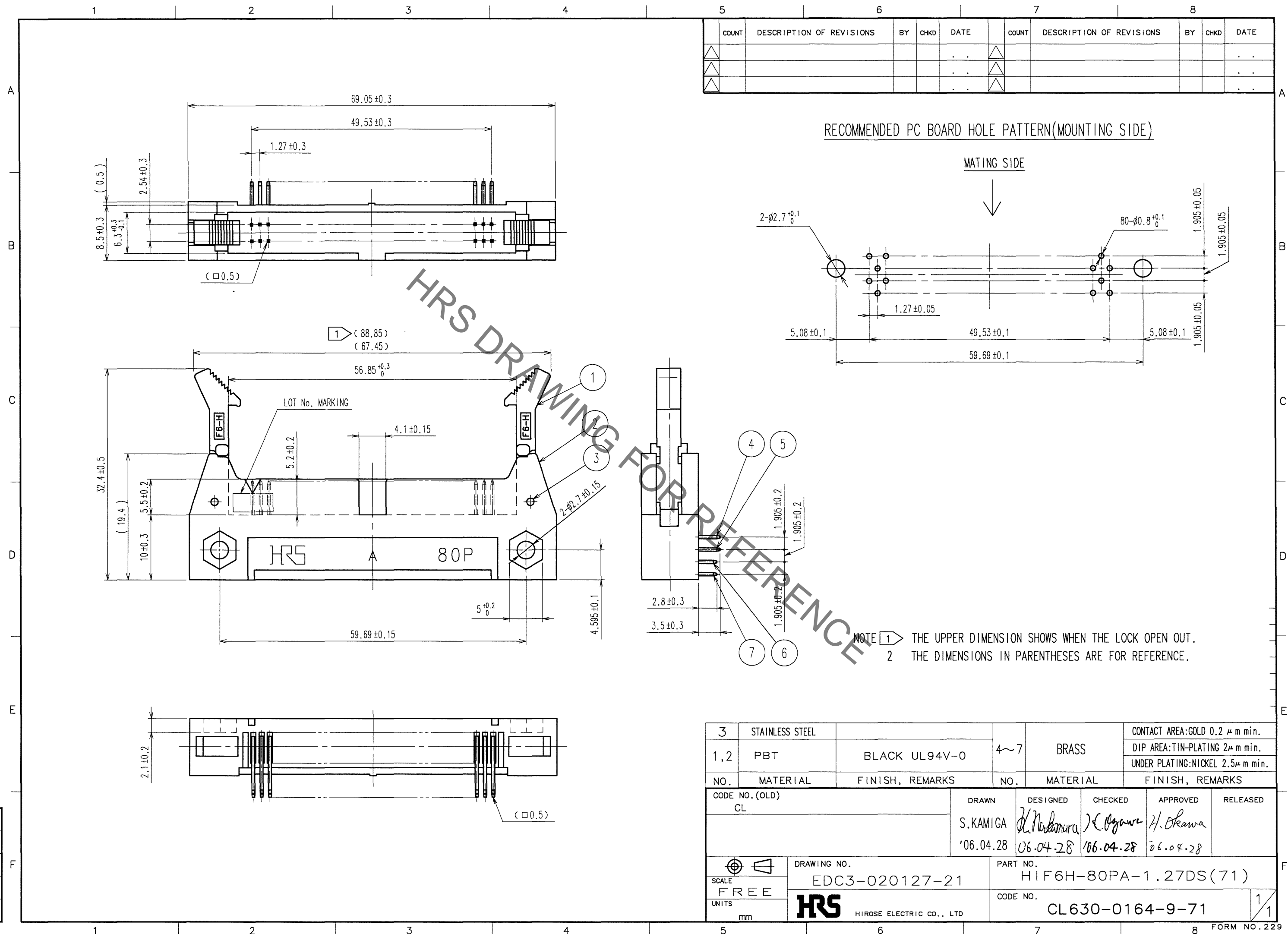


Sep.1.2021 Copyright 2021 HIROSE ELECTRIC CO., LTD. All Rights Reserved.
In case of consideration for using Automotive equipment / device which demand high reliability, kindly contact our sales window correspondents.

TO
PCK



COUNT	DESCRIPTION OF REVISIONS	BY	CHKD	DATE	COUNT	DESCRIPTION OF REVISIONS	BY	CHKD	DATE

RECOMMENDED PC BOARD HOLE PATTERN(MOUNTING SIDE)

MATING SIDE

NOTE 1 THE UPPER DIMENSION SHOWS WHEN THE LOCK OPEN OUT.
2 THE DIMENSIONS IN PARENTHESES ARE FOR REFERENCE.

3	STAINLESS STEEL		4~7	BRASS	CONTACT AREA:GOLD 0.2 μm min.	
1,2	PBT	BLACK UL94V-0			DIP AREA:TIN-PLATING 2μm min.	
					UNDER PLATING:NICKEL 2.5μm min.	
NO.	MATERIAL	FINISH, REMARKS	NO.	MATERIAL	FINISH, REMARKS	
CODE NO. (OLD) CL		DRAWN S.KAMIGA '06.04.28	DESIGNED <i>(Signature)</i> 06.04.28	CHECKED <i>(Signature)</i> 06.04.28	APPROVED <i>(Signature)</i> 06.04.28	RELEASED
DRAWING NO. EDC3-020127-21			PART NO. HIF6H-80PA-1.27DS(71)			
SCALE FREE			CODE NO. CL630-0164-9-71			
UNITS mm			HRS HIROSE ELECTRIC CO., LTD			

X-ON Electronics

Largest Supplier of Electrical and Electronic Components

Click to view similar products for [Headers & Wire Housings](#) category:

Click to view products by [Hirose](#) manufacturer:

Other Similar products are found below :

[892-18-020-10-001101](#) [58102-G61-06LF](#) [582553-1](#) [0009485154](#) [009176003701906](#) [0050291907](#) [LY20-4P-DT1-P1E-BR](#) [02.125.8002.8](#)
[609-3404](#) [61062-3](#) [622-0430](#) [622-3653LF](#) [63453-116](#) [636-1030](#) [636-1427](#) [636-3427](#) [636-4007](#) [641938-9](#) [641991-4](#) [644827-2](#) [65817-010LF](#)
[65817-015LF](#) [65863-015LF](#) [66207-023LF](#) [67095-007LF](#) [67601157](#) [68648-049](#) [70.362.1628.0](#) [70-4210](#) [70-4226B](#) [70-4853B](#) [707-5020](#) [707-](#)
[5028](#) [71.350.2428.0](#) [71918-208LF](#) [71961-016LF](#) [733-134](#) [733-162](#) [754199-000](#) [760-3052](#) [787-8014-00](#) [79531-3000](#) [FCN-360C032-B](#) [FCN-](#)
[367T-T012/H](#) [FCN-723D010/2](#) [80.063.4001.1](#) [800-90-001-10-001000](#) [800-90-010-10-002000](#) [801-43-002-10-013000](#) [801-43-006-10-002000](#)