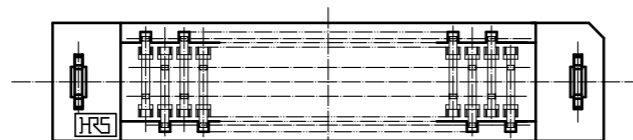
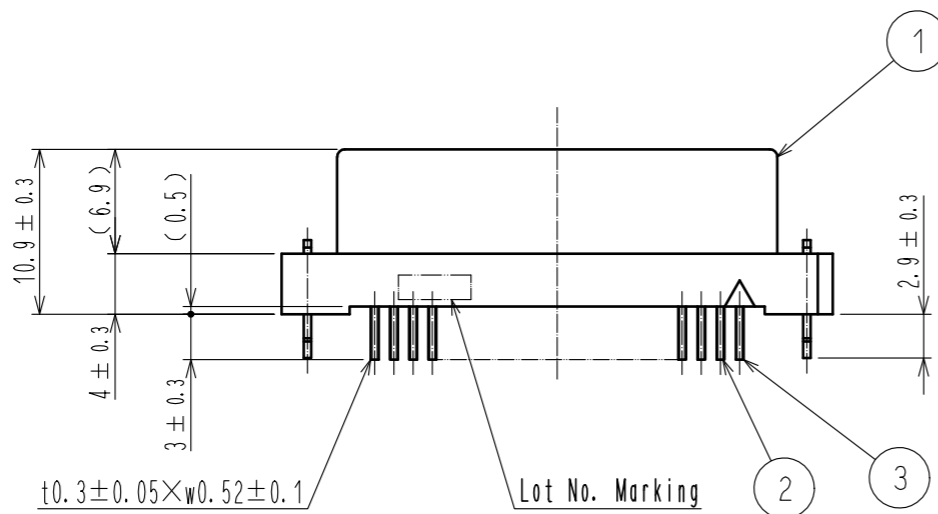
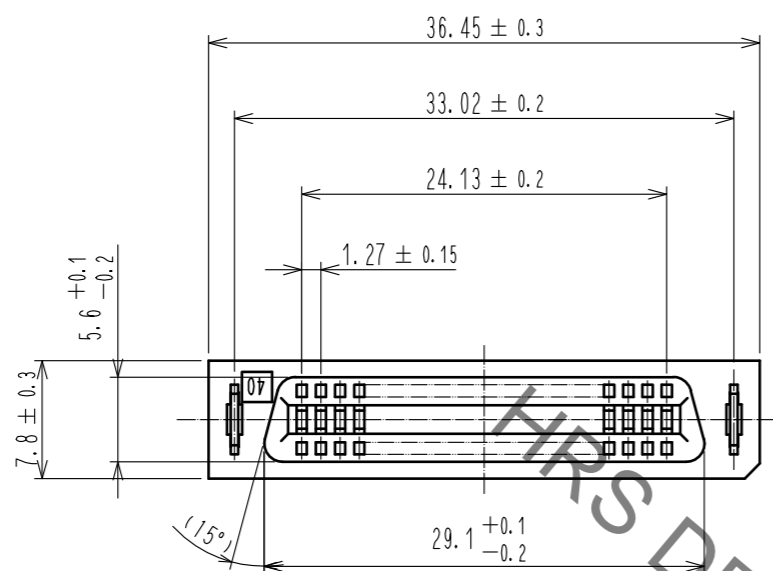
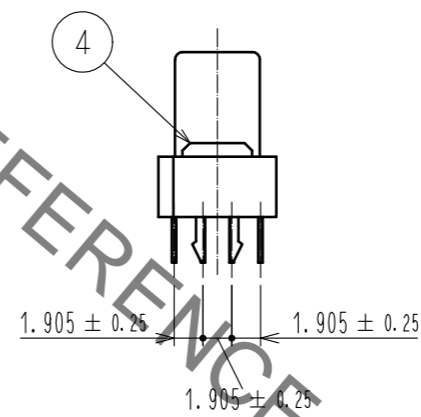
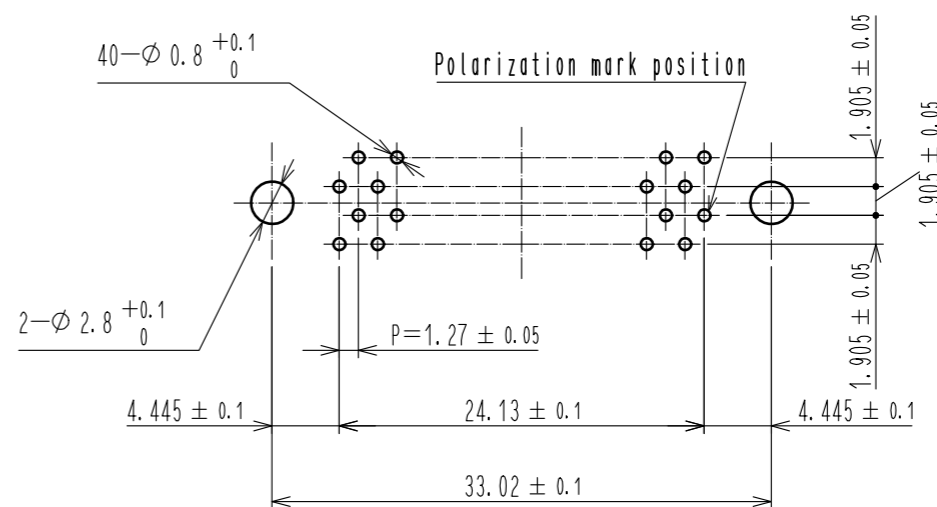


Nov.1.2019 Copyright 2019 HIROSE ELECTRIC CO., LTD. All Rights Reserved.
In case of consideration for using Automotive equipment / device which demand high reliability, kindly contact our sales window correspondents.



△ Recommended PC board hole pattern (mounting side)



Notes 1 The dimensions in parentheses are for reference.

2	PHOSPHOR BRONZE	Contact area : Gold 0.2μm min.	4	PHOSPHOR BRONZE	Tin-Plating		
		Dip area : TIN-Plating 2μm min.		3	PHOSPHOR BRONZE	Contact area : Gold 0.2μm min.	
1	PBT	Under plating : Nickel 2.5μm min.	1		BLACK	UL94V-0	
						Dip area : TIN-Plating 2μm min.	
NO.	MATERIAL	FINISH . REMARKS	NO.	MATERIAL	FINISH . REMARKS		
UNITS mm		SCALE 2 : 1	COUNT 1	DESCRIPTION OF REVISIONS DIS-F-00003693	DESIGNED TM. NAKAJIMA	CHECKED HT. YAMAGUCHI	DATE 18.09.11
HRS HIROSE ELECTRIC CO., LTD.		APPROVED : HT. YAMAGUCHI	18.06.25	DRAWING NO. EDC-021500-71-21			
		CHECKED : HT. YAMAGUCHI	18.06.25	PART NO. HIF7-40DA-1.27DSAL(71)			
		DESIGNED : TY. EDAGAWA	18.06.25	CODE NO. CL670-0151-6-71			
		DRAWN : MK. OOKI	18.06.21			1/1	

X-ON Electronics

Largest Supplier of Electrical and Electronic Components

Click to view similar products for [I/O Connectors](#) category:

Click to view products by [Hirose](#) manufacturer:

Other Similar products are found below :

[571763P](#) [58098-0628](#) [72.250.1628.2](#) [72.250.2428.2](#) [74720-0505](#) [76.350.0729.0](#) [76871-1403](#) [FCN-244F080-G/1](#) [FCN-260A9920](#) [PCR-E36PM](#) [PCS-XE26MA+](#) [G38A71314B](#) [1571250010](#) [157-22500-3](#) [MS3471L14-19P L/C](#) [192991-0703](#) [172501-4002](#) [172501-6002](#) [FCN-260C008-A/L0](#) [FCN-260C024-AL0](#) [FCN-261Z008](#) [2000314-1](#) [200331-1](#) [PCR-E36FC+](#) [PCS-E28FS+](#) [PCS-XE26SLFD+](#) [PCS-XE26SLFDT+](#) [G730VID08BDC24](#) [U90B2054081210](#) [UE86K842720321](#) [38113800006](#) [DP3AR020WQ1R200](#) [Z4.102.0680.0](#) [500-1040](#) [500-1052](#) [500-1054](#) [ZP-4008-66L](#) [0709821002](#) [DX40-20P\(55\)](#) [5554841-1](#) [MS3474W18-8P-LC*](#) [SM3106F14S-7S-LC](#) [U90B3054061110](#) [U65-E04-4020](#) [ZPF000000000097891](#) [557-262M2-06C](#) [747360449](#) [10099439-003C-TRLF](#) [10137239-0021LF](#) [E9320-001-01](#)