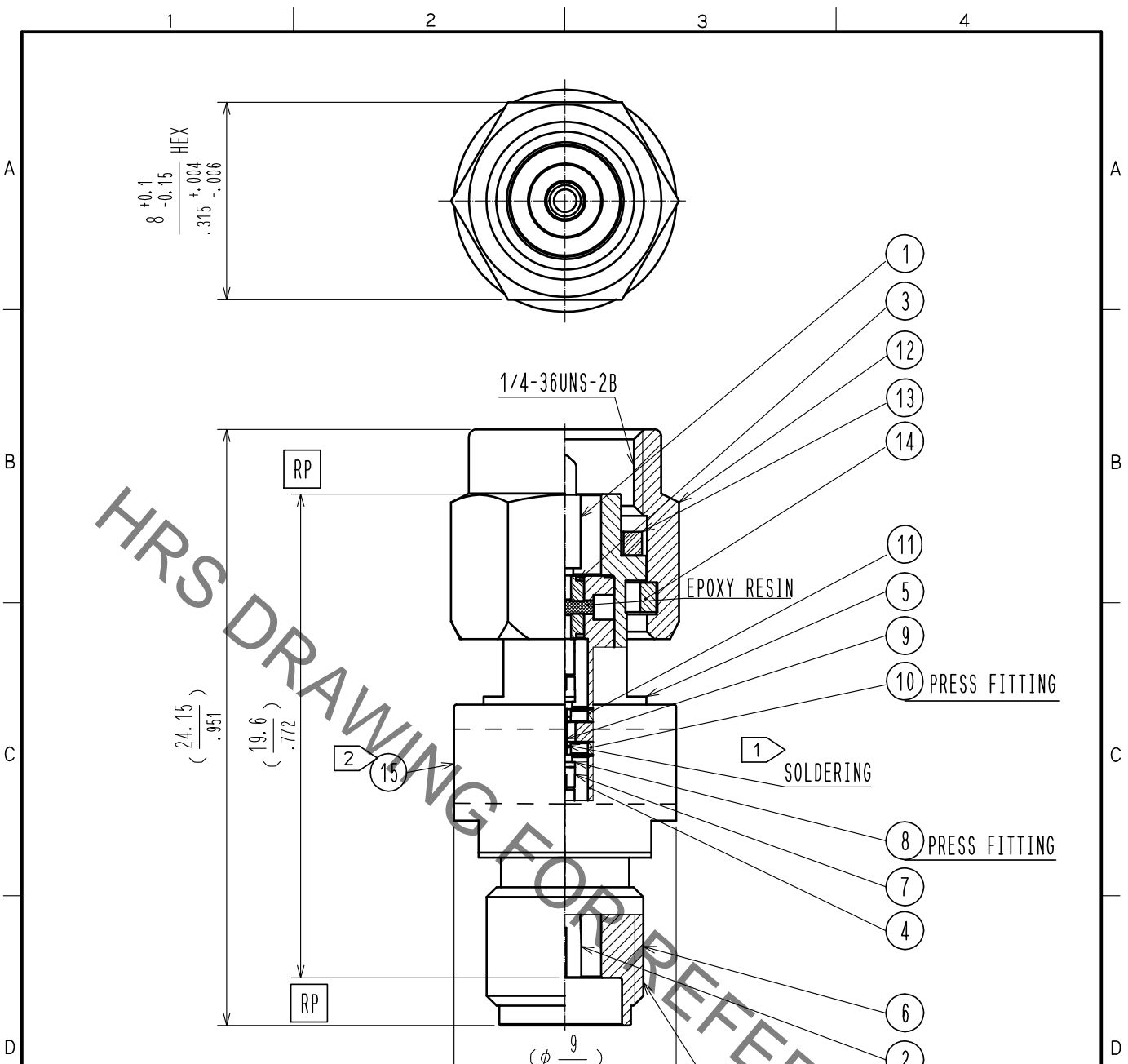


Aug.1.2021 Copyright 2021 HIROSE ELECTRIC CO., LTD. All Rights Reserved.  
In case of consideration for using Automotive equipment / device which demand high reliability, kindly contact our sales window correspondents.



NOTE

① Lead-free solder of Sn3Ag0.5Cu is used.

② Marking of label.

1. Part No. HK-AT(1)-PJ

2. Production No.

3. Manufacturer abbreviation.

RoHS COMPLIANT

8	BRASS	GOLD PLATING					
7	BERYLLIUM COPPER	GOLD PLATING	15	BERYLLIUM COPPER	NICKEL PLATING		
6	STAINLESS STEEL	PASSIVATE	14	SILICON RUBBER			
5	STAINLESS STEEL	PASSIVATE	13	STAINLESS STEEL	PASSIVATE		
4	STAINLESS STEEL	GOLD PLATING	12	ALUMINIUM			
3	PTFE		11	BRASS	GOLD PLATING		
2	BERYLLIUM COPPER	GOLD PLATING	10	ALUMINA			
1	BRASS	GOLD PLATING	9				
NO.	MATERIAL	FINISH	REMARKS	NO.	MATERIAL	FINISH	REMARKS

UNITS	SYMBOL	SCALE	COUNT	DESCRIPTION OF REVISIONS	DESIGNED	CHECKED	DATE
mm		4 : 1					
HIROSE ELECTRIC CO., LTD.				APPROVED : TS. NOBE 18.07.11 CHECKED : MH. OGUSU 18.07.11 DESIGNED : HA. NISHIMURA 18.07.11 DRAWN : HA. NISHIMURA 18.07.11	DRAWING NO. EDC-384109-00-00 PART NO. HK-AT(1)-PJ CODE NO. CL354-0316-0-00	1/1	

## X-ON Electronics

Largest Supplier of Electrical and Electronic Components

*Click to view similar products for [Attenuators - Interconnects](#) category:*

*Click to view products by [Hirose](#) manufacturer:*

Other Similar products are found below :

[R411803119](#) [R413806115](#) [R413808000](#) [R413810115](#) [R413850115](#) [R414510000](#) [R414701000](#) [R415303000](#) [BNC-13](#) [R411800121](#)  
[R411801121](#) [R412412124](#) [R412450000](#) [R413800000](#) [R413805000](#) [R413830000](#) [R413840115](#) [R414730000](#) [R415420000](#) [R415703000](#)  
[R416010000](#) [R420003110](#) [R411801000](#) [R411815121](#) [R413305000](#) [R413801000](#) [R414520000](#) [R411808121](#) [R412500124](#) [R412414124](#)  
[R412501124](#) [HMC-C584](#) [R413802000](#) [R412400124](#) [R411700124](#) [R417310130](#) [R411801119](#) [R412419124](#) [R411703124](#) [R412401124](#)  
[R443131000](#) [R417130110](#) [R414700000](#) [R414505000](#) [R411802119](#) [R417720128](#) [R420706110](#) [R413811000](#) [R413803115](#) [R414501000](#)