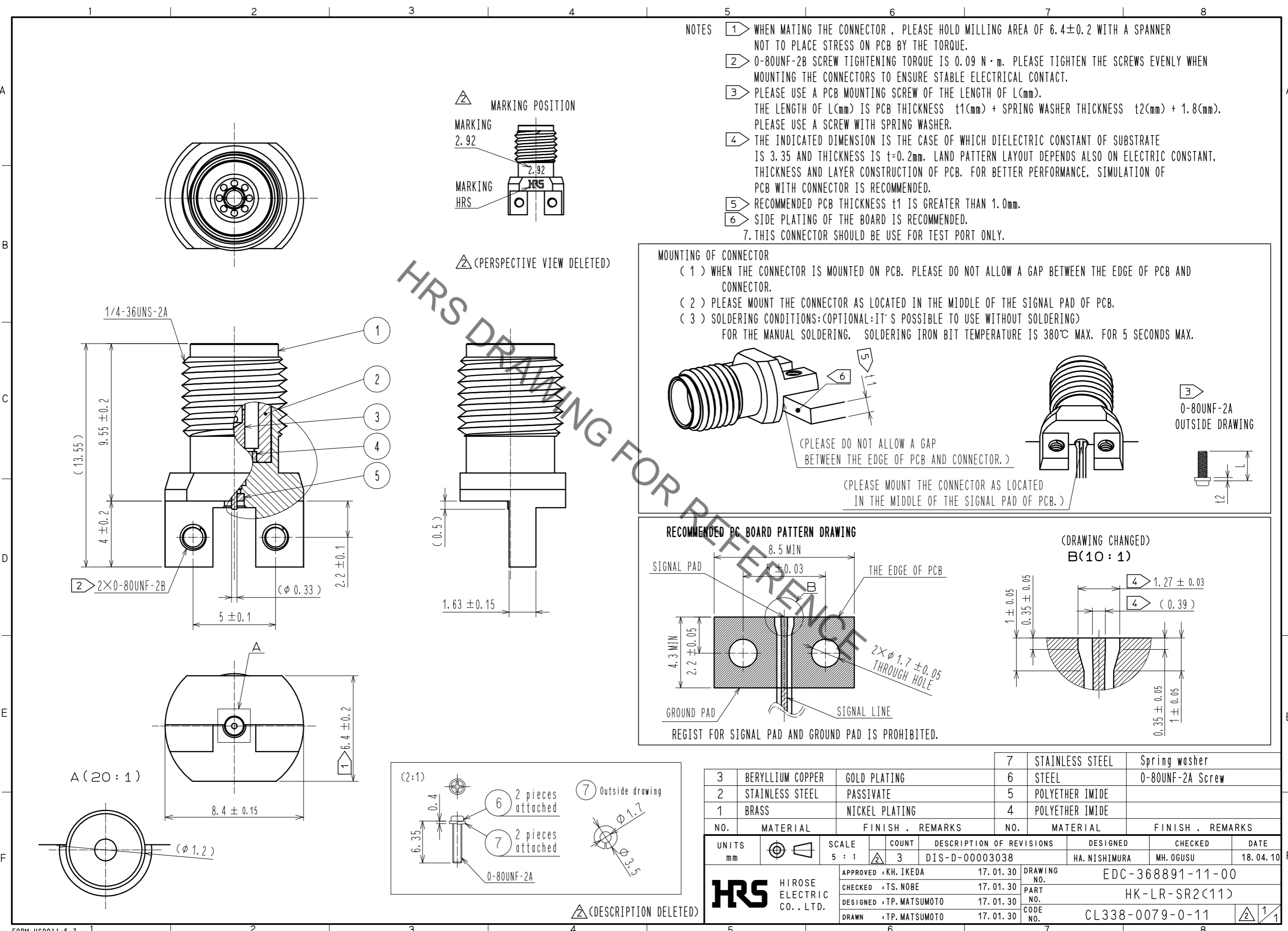
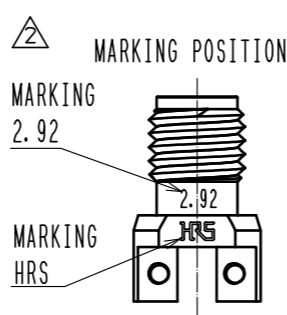


Aug.1.2021 Copyright 2021 HIROSE ELECTRIC CO., LTD. All Rights Reserved.  
In case of consideration for using Automotive equipment / device which demand high reliability, kindly contact our sales window correspondents.



- NOTES
- 1 WHEN MATING THE CONNECTOR, PLEASE HOLD MILLING AREA OF  $6.4 \pm 0.2$  WITH A SPANNER NOT TO PLACE STRESS ON PCB BY THE TORQUE.
  - 2 0-80UNF-2B SCREW TIGHTENING TORQUE IS  $0.09 \text{ N} \cdot \text{m}$ . PLEASE TIGHTEN THE SCREWS EVENLY WHEN MOUNTING THE CONNECTORS TO ENSURE STABLE ELECTRICAL CONTACT.
  - 3 PLEASE USE A PCB MOUNTING SCREW OF THE LENGTH OF L(mm). THE LENGTH OF L(mm) IS PCB THICKNESS  $t_1(\text{mm})$  + SPRING WASHER THICKNESS  $t_2(\text{mm})$  +  $1.8(\text{mm})$ . PLEASE USE A SCREW WITH SPRING WASHER.
  - 4 THE INDICATED DIMENSION IS THE CASE OF WHICH DIELECTRIC CONSTANT OF SUBSTRATE IS 3.35 AND THICKNESS IS  $t=0.2\text{mm}$ . LAND PATTERN LAYOUT DEPENDS ALSO ON ELECTRIC CONSTANT, THICKNESS AND LAYER CONSTRUCTION OF PCB. FOR BETTER PERFORMANCE, SIMULATION OF PCB WITH CONNECTOR IS RECOMMENDED.
  - 5 RECOMMENDED PCB THICKNESS  $t_1$  IS GREATER THAN  $1.0\text{mm}$ .
  - 6 SIDE PLATING OF THE BOARD IS RECOMMENDED.
  - 7 THIS CONNECTOR SHOULD BE USE FOR TEST PORT ONLY.



(PERSPECTIVE VIEW DELETED)

MOUNTING OF CONNECTOR

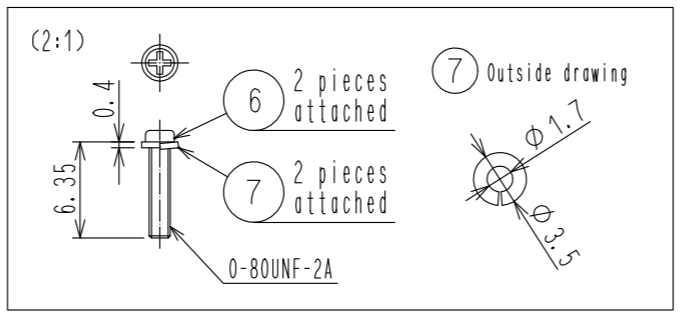
- (1) WHEN THE CONNECTOR IS MOUNTED ON PCB. PLEASE DO NOT ALLOW A GAP BETWEEN THE EDGE OF PCB AND CONNECTOR.
- (2) PLEASE MOUNT THE CONNECTOR AS LOCATED IN THE MIDDLE OF THE SIGNAL PAD OF PCB.
- (3) SOLDERING CONDITIONS:(OPTIONAL:IT'S POSSIBLE TO USE WITHOUT SOLDERING)  
FOR THE MANUAL SOLDERING, SOLDERING IRON BIT TEMPERATURE IS  $380^\circ\text{C}$  MAX. FOR 5 SECONDS MAX.

(PLEASE MOUNT THE CONNECTOR AS LOCATED IN THE MIDDLE OF THE SIGNAL PAD OF PCB.)

0-80UNF-2A OUTSIDE DRAWING

RECOMMENDED PC BOARD PATTERN DRAWING

(DRAWING CHANGED) B(10:1)



(DESCRIPTION DELETED)

3	BERYLLIUM COPPER	GOLD PLATING	7	STAINLESS STEEL	Spring washer		
2	STAINLESS STEEL	PASSIVATE	6	STEEL	0-80UNF-2A Screw		
1	BRASS	NICKEL PLATING	5	POLYETHER IMIDE			
			4	POLYETHER IMIDE			
NO.	MATERIAL	FINISH . REMARKS	NO.	MATERIAL	FINISH . REMARKS		
UNITS		SCALE	COUNT	DESCRIPTION OF REVISIONS	DESIGNED	CHECKED	DATE
mm		5 : 1	3	DIS-D-00003038	HA. NISHIMURA	MH. OGUSU	18. 04. 10
APPROVED : KH. IKEDA			17. 01. 30	DRAWING NO. EDC-368891-11-00			
CHECKED : TS. NOBE			17. 01. 30	PART NO. HK-LR-SR2(11)			
DESIGNED : TP. MATSUMOTO			17. 01. 30	CODE NO. CL338-0079-0-11			
DRAWN : TP. MATSUMOTO			17. 01. 30				

## X-ON Electronics

Largest Supplier of Electrical and Electronic Components

*Click to view similar products for [RF Connectors / Coaxial Connectors](#) category:*

*Click to view products by [Hirose](#) manufacturer:*

Other Similar products are found below :

[8915-1511-000](#) [89674-0827](#) [6001-7071-019](#) [6002-7051-003](#) [6002-7551-202](#) [6059674-1](#) [619550-1](#) [630059-000](#) [M39030/3-01N](#) [6500-7071-046](#) [6769](#) [CX050L2AQ](#) [7002-1542-011](#) [7004-1512-000](#) [7009-1511-004](#) [7010-1511-000](#) [7029-1511-060](#) [7101-1541-010](#) [7101-1571-002](#) [7105-1521-002](#) [7145-1521-002](#) [7203-1571-003](#) [7209-1511-011](#) [7210-1511-015](#) [7210-1511-019](#) [73137-5015](#) [73216-2241](#) [7325-1512-000](#) [73404-2300](#) [7405-1521-005](#) [7405-1521-802](#) [7406-1521-005](#) [8527](#) [8547](#) [FS11V](#) [8808-1511-001](#) [9049-9513-000](#) [9074-9513-000](#) [9101-9573-002](#) [910A205F](#) [9130-9573-002](#) [PL11SC-026](#) [PL375-33](#) [PL40-5](#) [PL71-9](#) [PL74C-221](#) [PL75MC-217](#) [PL803-7](#) [980-8666-005](#) [1200690078](#)