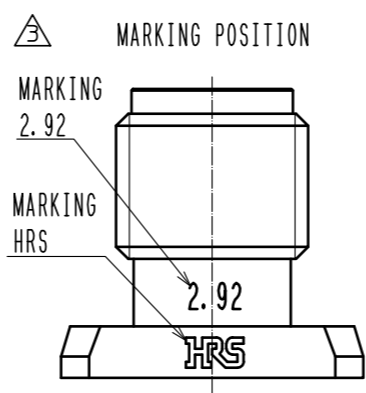
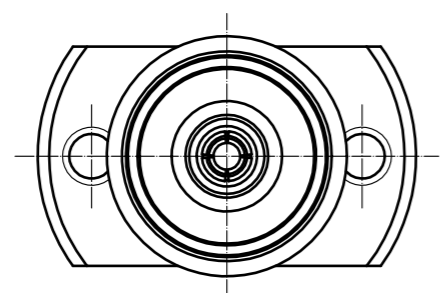
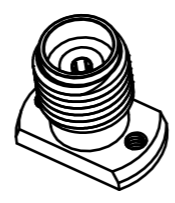
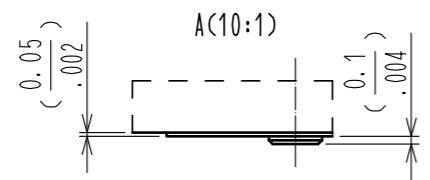
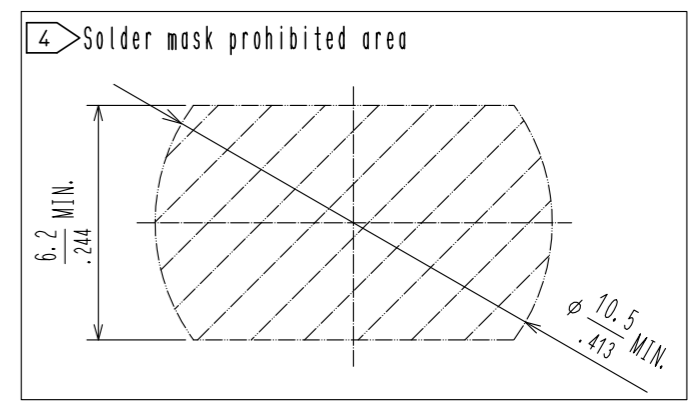
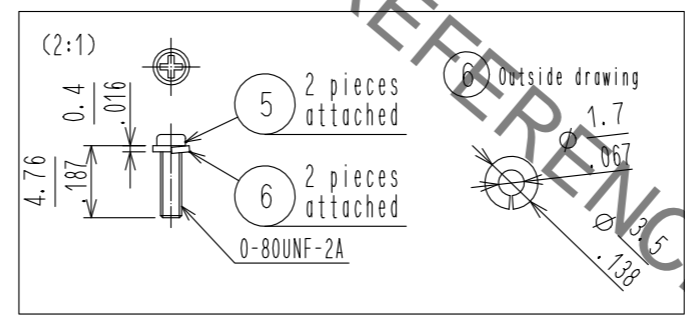
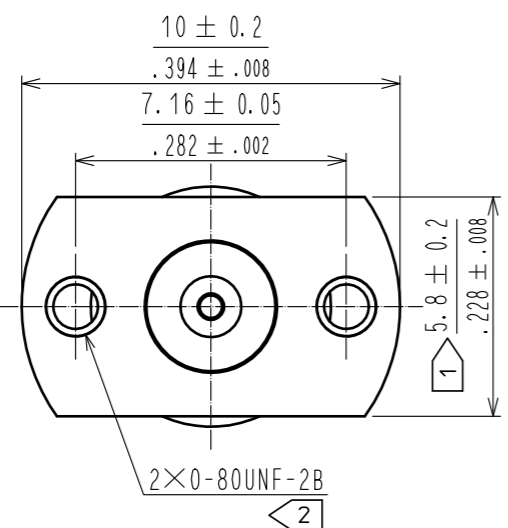
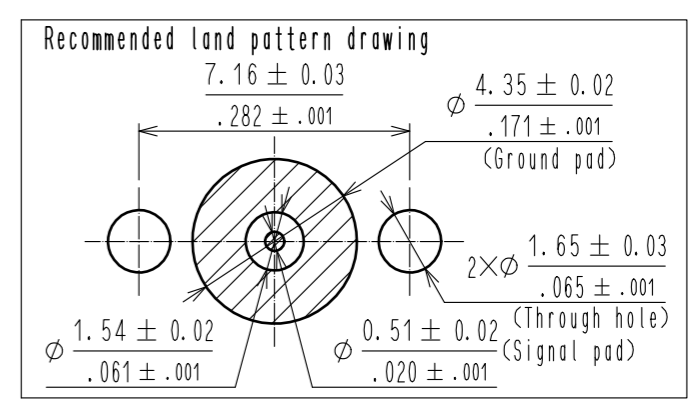
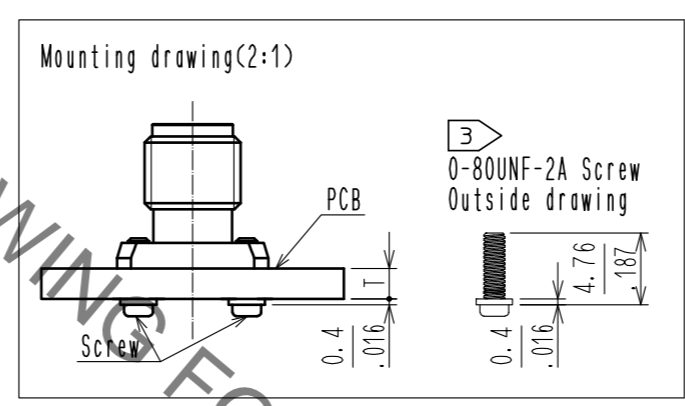
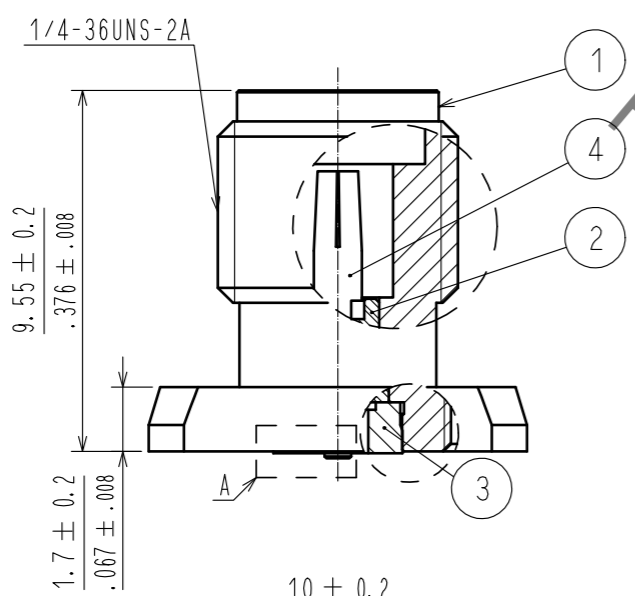


Sep.1.2021 Copyright 2021 HIROSE ELECTRIC CO., LTD. All Rights Reserved.
In case of consideration for using Automotive equipment / device which demand high reliability, kindly contact our sales window correspondents.



- 1 When mating the connector, please hold milling area of 5.8 ± 0.2 with spanner not to place stress on PCB by the torque.
- 2 0-80UNF-2B Screw tightening torque is $0.09N \cdot m$. Please tighten the screws evenly when mounting the connectors to ensure stable electrical contact.
- 3 Please use attached screw and washer for PCB mounting. Attached screw and washer apply PCB thickness $T=0.8$ to $2.65mm$.
- 4 Indicates the area that solder mask is prohibited.
5. This connector should be use for test port only.



3	STAINLESS STEEL	GOLD PLATING	6	STAINLESS STEEL	Spring washer
2	PTFE		5	STEEL	0-80UNF-2A Screw
1	STAINLESS STEEL	PASSIVATE	4	BERYLLIUM COPPER	GOLD PLATING
NO.	MATERIAL	FINISH . REMARKS	NO.	MATERIAL	FINISH . REMARKS
UNITS		SCALE	COUNT	DESCRIPTION OF REVISIONS	
mm		5 : 1	1	DIS-D-00003015	
APPROVED : KY. SHIMIZU 16.08.30			DESIGNED : AH. MARUYAMA		
CHECKED : TO. KATAYAMA 16.08.30			CHECKED : TS. NOBE		
DESIGNED : TP. MATSUMOTO 16.08.29			DATE : 18.03.24		
DRAWN : TP. MATSUMOTO 16.08.29			DRAWING NO. : EDC-366760-12-01		
HRS HIROSE ELECTRIC CO., LTD.			PART NO. : HK-R-SR2-1(12)		
			CODE NO. : CL338-0003-0-12		

X-ON Electronics

Largest Supplier of Electrical and Electronic Components

Click to view similar products for [RF Connectors / Coaxial Connectors](#) category:

Click to view products by [Hirose](#) manufacturer:

Other Similar products are found below :

[8915-1511-000](#) [89674-0827](#) [6001-7071-019](#) [6002-7051-003](#) [6002-7551-202](#) [6059674-1](#) [619550-1](#) [630059-000](#) [M39030/3-01N](#) [6500-7071-046](#) [6769](#) [CX050L2AQ](#) [7002-1542-011](#) [7004-1512-000](#) [7009-1511-004](#) [7010-1511-000](#) [7029-1511-060](#) [7101-1541-010](#) [7101-1571-002](#) [7105-1521-002](#) [7145-1521-002](#) [7203-1571-003](#) [7209-1511-011](#) [7210-1511-015](#) [7210-1511-019](#) [73137-5015](#) [73216-2241](#) [7325-1512-000](#) [73404-2300](#) [7405-1521-005](#) [7405-1521-802](#) [7406-1521-005](#) [8527](#) [8547](#) [FS11V](#) [8808-1511-001](#) [9049-9513-000](#) [9074-9513-000](#) [9101-9573-002](#) [910A205F](#) [9130-9573-002](#) [PL11SC-026](#) [PL375-33](#) [PL40-5](#) [PL71-9](#) [PL74C-221](#) [PL75MC-217](#) [PL803-7](#) [980-8666-005](#) [1200690078](#)