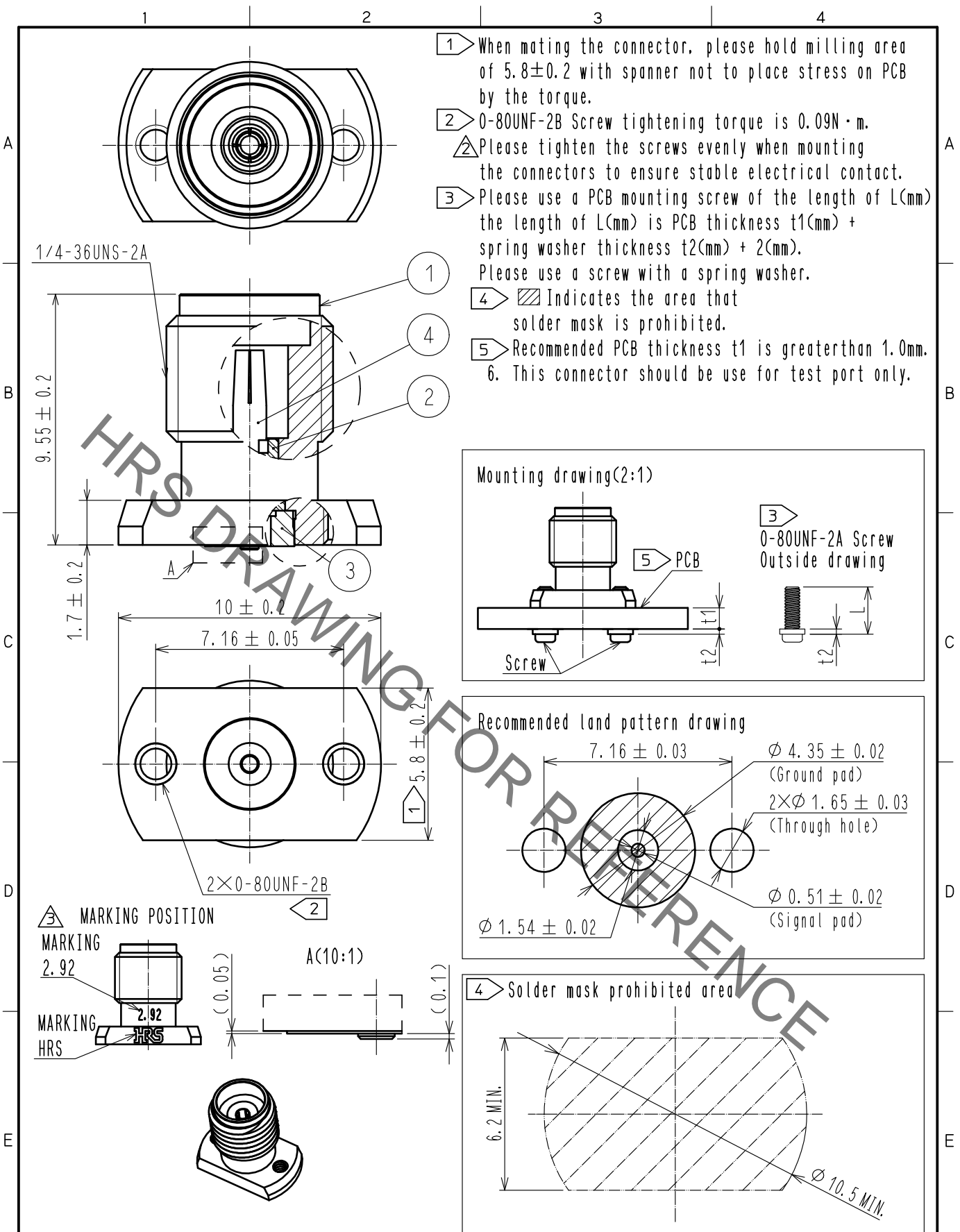
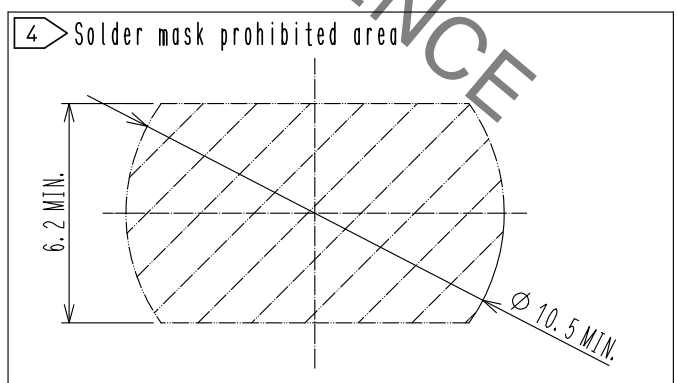
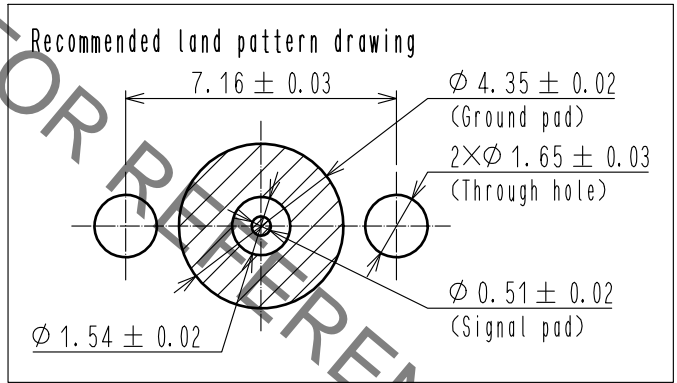
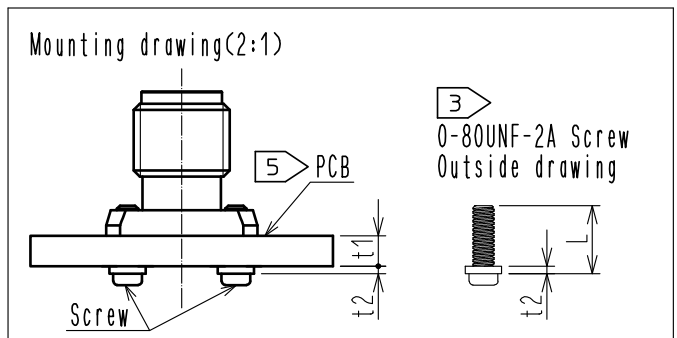


Aug. 1.2021 Copyright 2021 HIROSE ELECTRIC CO., LTD. All Rights Reserved.  
 In case of consideration for using Automotive equipment / device which demand high reliability, kindly contact our sales window correspondents.



- 1 When mating the connector, please hold milling area of  $5.8 \pm 0.2$  with spanner not to place stress on PCB by the torque.
- 2 0-80UNF-2B Screw tightening torque is  $0.09N \cdot m$ .  
 Please tighten the screws evenly when mounting the connectors to ensure stable electrical contact.
- 3 Please use a PCB mounting screw of the length of  $L(mm)$  the length of  $L(mm)$  is PCB thickness  $t1(mm)$  + spring washer thickness  $t2(mm)$  +  $2(mm)$ . Please use a screw with a spring washer.
- 4 Indicates the area that solder mask is prohibited.
- 5 Recommended PCB thickness  $t1$  is greater than  $1.0mm$ .



2	PTFE		4	BERYLLIUM COPPER	GOLD PLATING			
1	STAINLESS STEEL	PASSIVATE	3	STAINLESS STEEL	GOLD PLATING			
NO.	MATERIAL	FINISH .	REMARKS	NO.	MATERIAL	FINISH .	REMARKS	
UNITS mm		SCALE 5 : 1	COUNT 3 1	DESCRIPTION OF REVISIONS DIS-D-00003015		DESIGNED AH. MARUYAMA	CHECKED TS. NOBE	DATE 18. 03. 24
<b>HRS</b> HIROSE ELECTRIC CO., LTD.	APPROVED	: KY. SHIMIZU		15. 10. 22		DRAWING NO. EDC-366760-00-00		
	CHECKED	: TO. KATAYAMA		15. 10. 22		PART NO. HK-R-SR2-1		
	DESIGNED	: NK. OOSAWA		15. 10. 22		CODE NO. CL338-0003-0-00		
	DRAWN	: NK. OOSAWA		15. 10. 22		1/1		

## X-ON Electronics

Largest Supplier of Electrical and Electronic Components

*Click to view similar products for [RF Connectors / Coaxial Connectors](#) category:*

*Click to view products by [Hirose](#) manufacturer:*

Other Similar products are found below :

[8915-1511-000](#) [89674-0827](#) [6001-7071-019](#) [6002-7051-003](#) [6002-7551-202](#) [6059674-1](#) [619550-1](#) [630059-000](#) [M39030/3-01N](#) [6500-7071-046](#) [6769](#) [CX050L2AQ](#) [7002-1542-011](#) [7004-1512-000](#) [7009-1511-004](#) [7010-1511-000](#) [7029-1511-060](#) [7101-1541-010](#) [7101-1571-002](#) [7105-1521-002](#) [7145-1521-002](#) [7203-1571-003](#) [7209-1511-011](#) [7210-1511-015](#) [7210-1511-019](#) [73137-5015](#) [73216-2241](#) [7325-1512-000](#) [73404-2300](#) [7405-1521-005](#) [7405-1521-802](#) [7406-1521-005](#) [8527](#) [8547](#) [FS11V](#) [8808-1511-001](#) [9049-9513-000](#) [9074-9513-000](#) [9101-9573-002](#) [910A205F](#) [9130-9573-002](#) [PL11SC-026](#) [PL375-33](#) [PL40-5](#) [PL71-9](#) [PL74C-221](#) [PL75MC-217](#) [PL803-7](#) [980-8666-005](#) [1200690078](#)