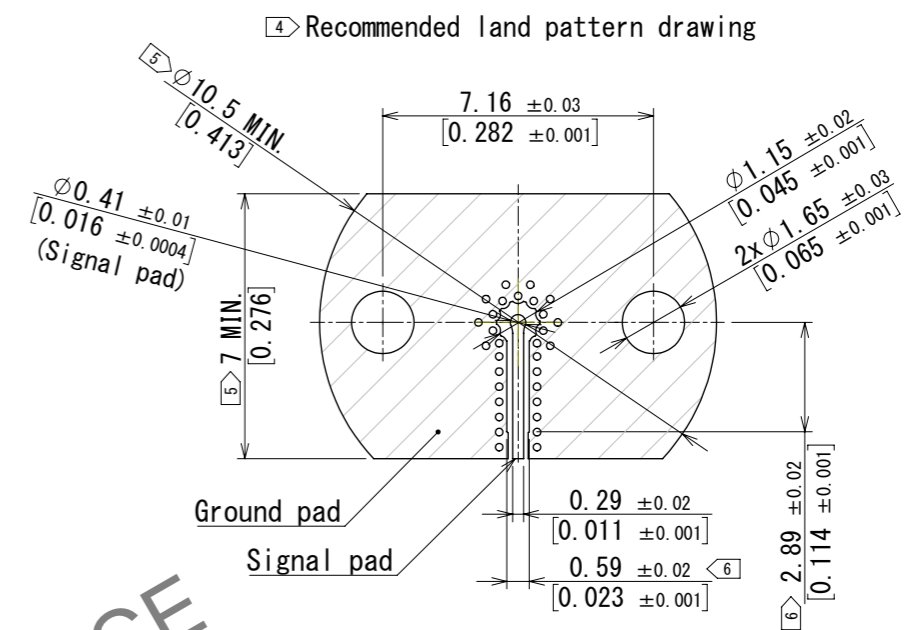
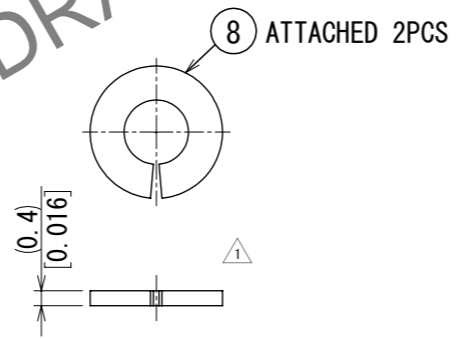
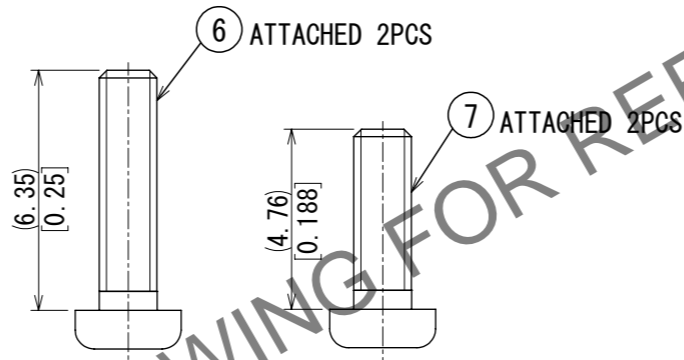
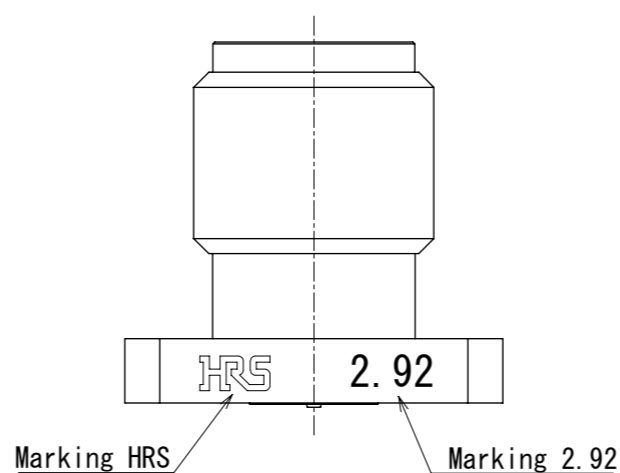
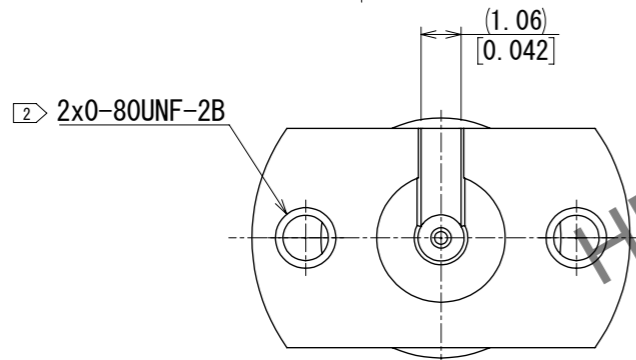
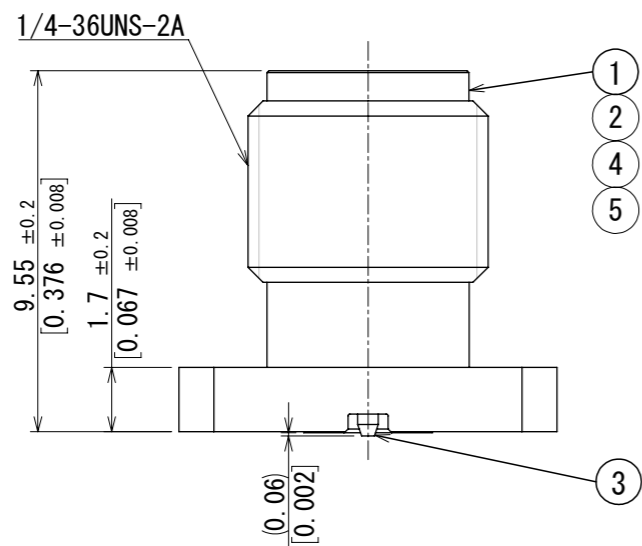
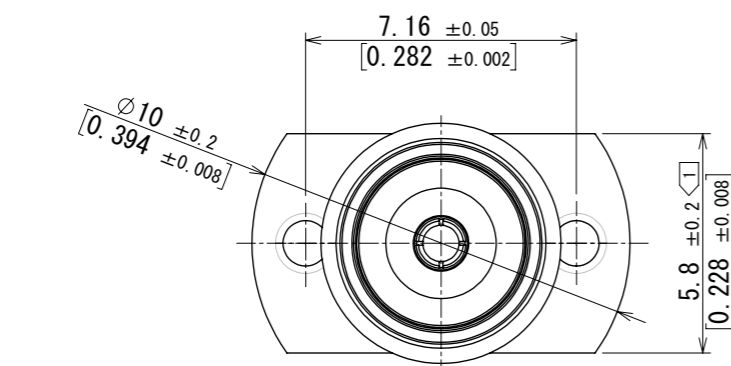
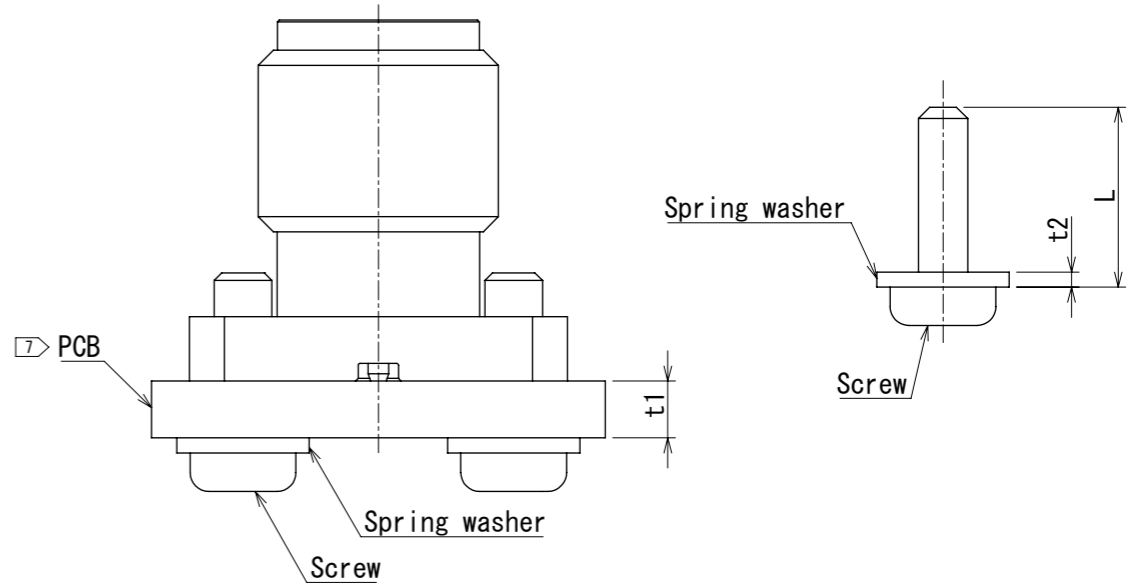


May.1.2024 Copyright 2024 HIROSE ELECTRIC CO., LTD. All Rights Reserved.
 In case of consideration for using Automotive equipment / device which demand high reliability, kindly contact our sales window correspondents.



3 PCB mounting drawing

3 0-80UNF Outline drawing



- 1 Please hold the connector flange with a spanner to avoid any torque acting on the PCB when the connector is mating.
- 2 0-80UNF screws recommended tightening torque is 0.09N·m.
Please tighten the screws evenly during the connector mounting to ensure stable electrical contact.
- 3 Recommended length of the screws: $L = t1(\text{PCB}) + t2(\text{spring washer}) + 2 \text{ mm } [0.08 \text{ in}]$.
- 4 PCB design is changed depending on the PCB material, thickness and stackup.
- 5 The solder mask prohibited area is indicated.
- 6 The connector is placed over this area.
- 7 PCB thickness t1 should be 0.8 mm [0.032 in] or more.
- 8. This connector is not recommended for use in actual commercial equipment.

4	PEI		8	STAINLESS STEEL	(SPRING WASHER 2pcs)		
3	BERYLLIUM COPPER	GOLD PLATING	7	STEEL	(0-80UNF 3/16in 2pcs)		
2	STAINLESS STEEL	PASSIVATED	6	STEEL	(0-80UNF 1/4in 2pcs)		
1	BRASS	NICKEL PLATING	5	PTFE			
NO.	MATERIAL	FINISH	REMARKS	NO.	MATERIAL	FINISH	REMARKS
UNITS		SCALE		COUNT		DESCRIPTION OF REVISIONS	
mm [inch]		5:1		1		DIS-D-00016021	
APPROVED : TS. NAKAGAWA 2023.05.18				DRAWING NO. EDC-401976-15-00			
CHECKED : TS. NAKAGAWA 2023.05.18				PART NO. HK-R-SR2-SA (15)			
DESIGNED : TS. KANEKO 2023.05.18				CODE NO. CL0338-0028-0-15			
DRAWN : TS. KANEKO 2023.05.18							

X-ON Electronics

Largest Supplier of Electrical and Electronic Components

Click to view similar products for [RF Connectors](#) / [Coaxial Connectors](#) category:

Click to view products by [Hirose](#) manufacturer:

Other Similar products are found below :

[89674-0827](#) [6059674-1](#) [630059-000](#) [6501-1071-002](#) [6769](#) [7002-1541-010](#) [7002-1572-002](#) [7004-1512-000](#) [7009-1511-004](#) [7101-1541-010](#)
[7101-1571-002](#) [7105-1521-002](#) [7203-1571-003](#) [7209-1511-011](#) [7210-1511-040](#) [7242-1511-000](#) [7405-1521-005](#) [7405-1521-802](#)
[804S01D04M040](#) [8527](#) [8547](#) [FS11V](#) [877931](#) [8808-1511-001](#) [9049-9513-000](#) [9074-9513-000](#) [PL11C-026](#) [PL40-36](#) [9408-1113-000](#) [980-](#)
[8666-005](#) [11 SMA-50-2-6 / 111 NE](#) [11 SMA-50-3-6 / 111 NE](#) [1-201144-1](#) [120919](#) [R107003010W](#) [R112186000](#) [R113053000W](#) [R113082097](#)
[R113236000](#) [R114083000](#) [R114670000W](#) [R123415000W](#) [R124076320](#) [R124076450](#) [R124175123](#) [R125075000W](#) [R125075001](#)
[R125172000W](#) [R125415030](#) [R141007161](#)