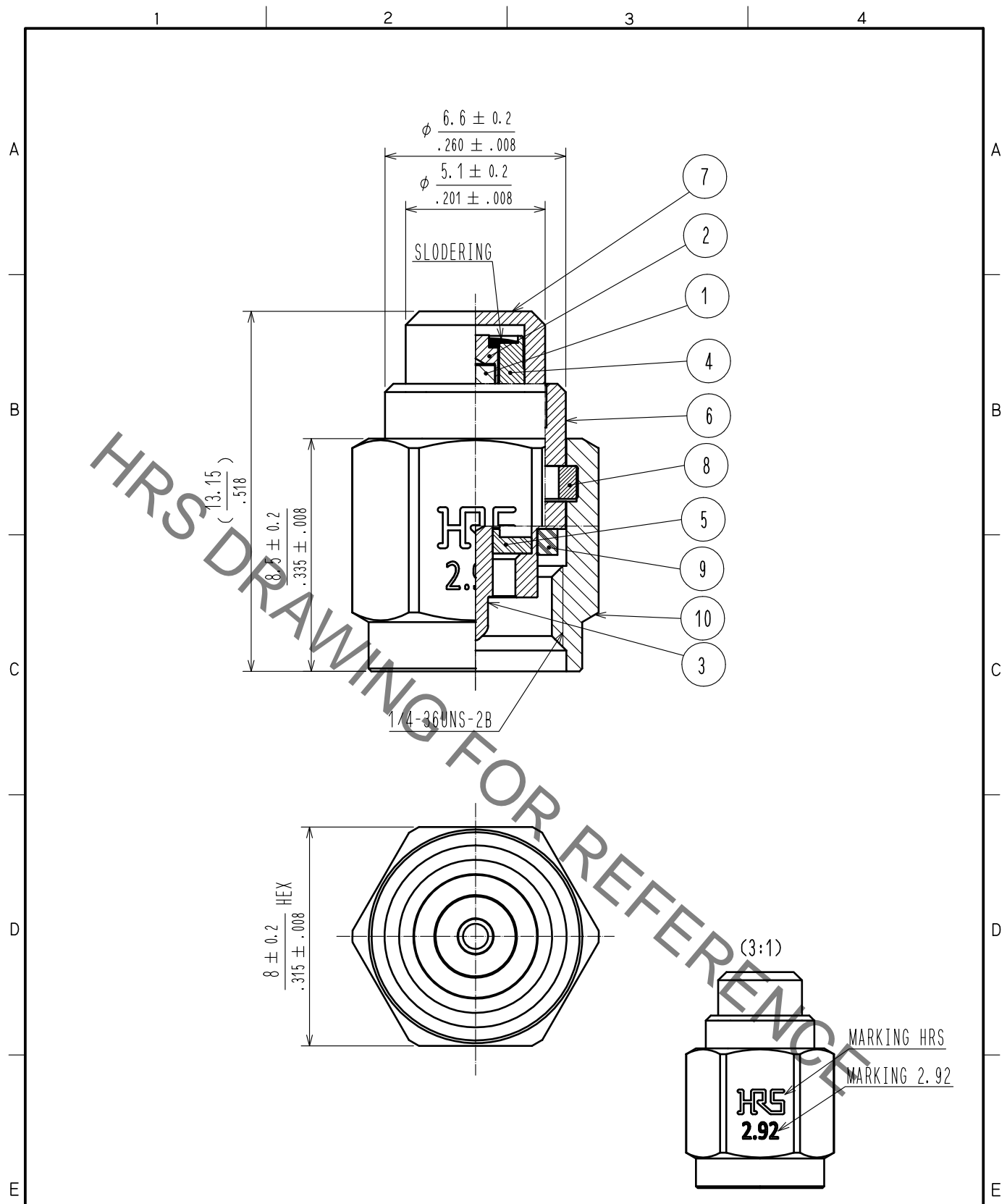


Sep.1.2021 Copyright 2021 HIROSE ELECTRIC CO., LTD. All Rights Reserved.  
In case of consideration for using Automotive equipment / device which demand high reliability, kindly contact our sales window correspondents.



| 5   | PTFE       |                  | 10  | STAINLESS STEEL  | PASSIVATE        |
|-----|------------|------------------|-----|------------------|------------------|
| 4   | BRASS      | GOLD PLATING     | 9   | SILICONE RUBBER  |                  |
| 3   | BRASS      | GOLD PLATING     | 8   | BERYLLIUM COPPER | NICKEL PLATING   |
| 2   | BRASS      | GOLD PLATING     | 7   | BRASS            | NICKEL PLATING   |
| 1   | RESISTANCE | 50Ω              | 6   | STAINLESS STEEL  | PASSIVATE        |
| NO. | MATERIAL   | FINISH . REMARKS | NO. | MATERIAL         | FINISH . REMARKS |

|                                  |  |                         |                        |  |                           |                         |                  |
|----------------------------------|--|-------------------------|------------------------|--|---------------------------|-------------------------|------------------|
| UNITS $\frac{1}{1}$<br>mm / inch |  | SCALE<br>5 : 1          | COUNT<br>$\frac{1}{1}$ | DESCRIPTION OF REVISIONS<br>DIS-D-00006854 | DESIGNED<br>MS. MATSUMOTO | CHECKED<br>AH. MARUYAMA | DATE<br>20210308 |
| HIROSE ELECTRIC CO., LTD.        |  | APPROVED : KH. IKEDA    | 20170804               | DRAWING NO.                                | EDC-374634-00-00          |                         |                  |
|                                  |  | CHECKED : TS. NOBE      | 20170804               | PART NO.                                   | HK-TMP                    |                         |                  |
|                                  |  | DESIGNED : AH. MARUYAMA | 20170804               | CODE NO.                                   | CL0353-0014-0-00          |                         |                  |
|                                  |  | DRAWN : AH. MARUYAMA    | 20170804               |  |                           |                         |                  |

## X-ON Electronics

Largest Supplier of Electrical and Electronic Components

*Click to view similar products for [RF Terminators](#) category:*

*Click to view products by [Hirose](#) manufacturer:*

Other Similar products are found below :

[M390303-02N](#) [M39030/3-04S](#) [M39030/3-09S](#) [M39030/3-11N](#) [TNG1-9-78-D3](#) [TNA2-50](#) [TNG1-6-78](#) [TNH1-1-50](#) [R404280000](#) [TNGFL1-1-78](#) [R4042N5000](#) [R404518000](#) [53S1RR-001N3](#) [142275](#) [56S1RR-001N4](#) [18S15R-0.5E3](#) [65\\_BNC-50-0-7/133\\_NE](#) [71S1RR-001N4](#) [02S17R-001D3](#) [R404240120](#) [R404260000](#) [HT-10-2](#) [FL](#) [LCX 50-OHM-RSMA](#) [M39030/3-04N](#) [TNA1-6-50](#) [131-3801-811](#) [TNA1-1-50](#) [65\\_N-50-0-51/113\\_NE](#) [65\\_BNC-50-0-2/133\\_NE](#) [65\\_N-50-0-1/133\\_NE](#) [65002\\_N-50-1/122\\_NE](#) [65\\_MMCX-50-0-31/111\\_OE](#) [18K15R-0.5E3](#) [2702702](#) [TRM-2161-M0-35M-02](#) [53S17R-001N3](#) [18S24H-40ML5](#) [TRM-2053-M0-NNN-02](#) [R404759000](#) [M39030/6-02N](#) [TRM-2080-M0-NNN-07](#) [TRM-2053-MC-NNN-02](#) [M39030/3-03S](#) [SF8012-6009](#) [6701.01.A](#) [65\\_MCX-50-0-4/111\\_NE](#) [65\\_716-50-0-2/003\\_-E](#) [65\\_SMB-50-0-1/111\\_NE](#) [M39030/3-12N](#) [82-5722-RFX](#)