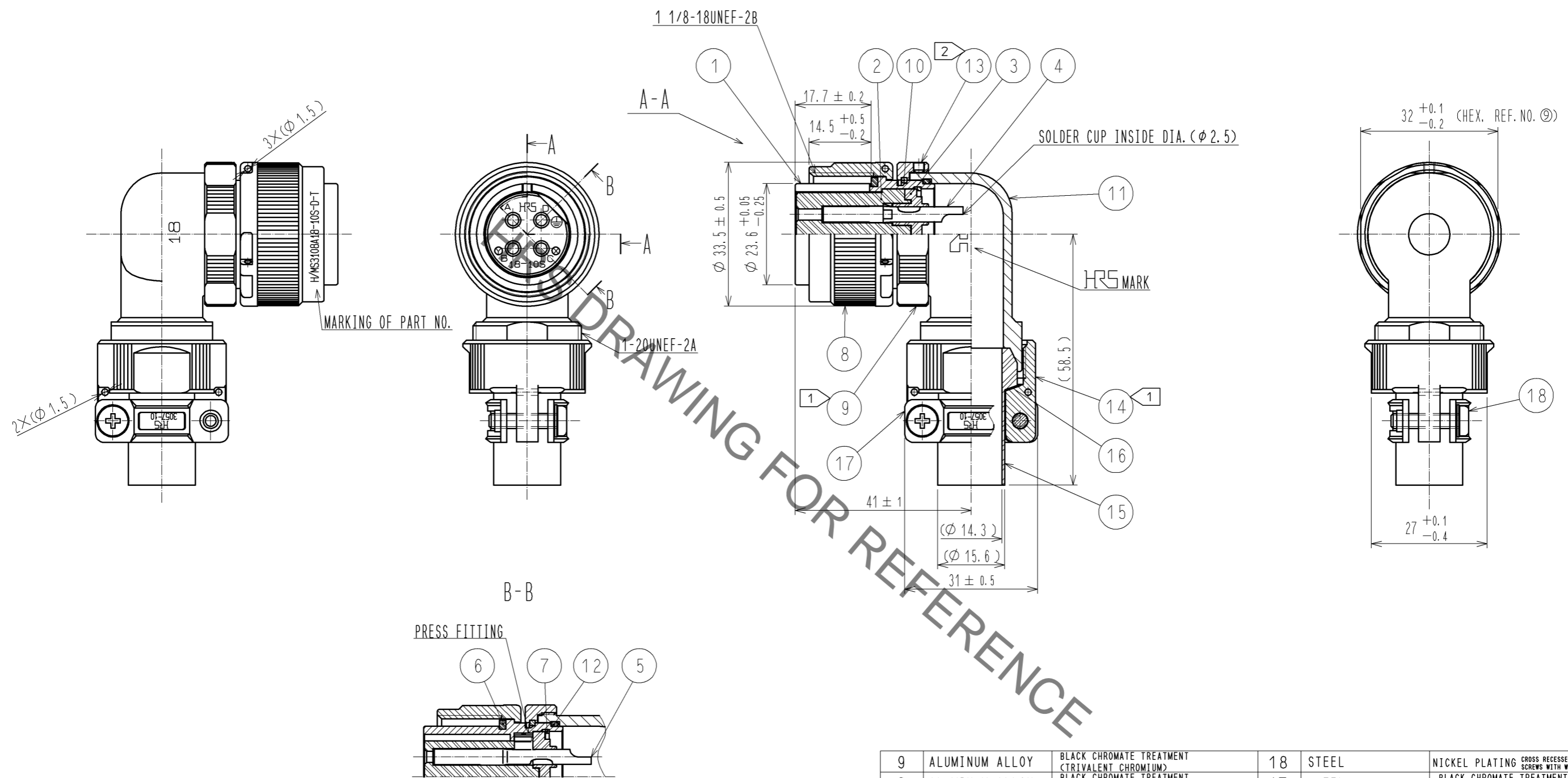


Jun.1.2019 Copyright 2019 HIROSE ELECTRIC CO., LTD. All Rights Reserved.  
 In case of consideration for using Automotive equipment / device which demand high reliability, kindly contact our sales window correspondents.



- NOTES
- ① RECOMMENDED TIGHTENING TORQUE OF REF. NO. ⑨ : 3 TO 3.5 N · m  
 RECOMMENDED TIGHTENING TORQUE OF REF. NO. ⑭ : 5 TO 6 N · m  
 REF. NO. ⑨ IS MAKING IT ROTATE. AFTER SURELY REF. NO. ⑬.
  - ② THE HEXAGON SOCKET SIZE OF REF. NO. ⑬ : 1.27  
 RECOMMENDED TIGHTENING TORQUE : 0.3 TO 0.4 N · m
  - ③ THE POSITION RELATIONS OF THE ROTATION DIRECTION OF REF. NO. ③, REF. NO. ⑨ AND REF. NO. ⑩ TO REF. NO. ① SHOW AN EXAMPLE.  
 THE POSITION RELATIONS OF THE ROTATION DIRECTION OF REF. NO. ⑬ TO REF. NO. ⑪ SHOW AN EXAMPLE.
  - ④ THE POSITION RELATIONS OF A DISPLAY TO REF. NO. ⑩ SHOW AN EXAMPLE.

9	ALUMINUM ALLOY	BLACK CHROMATE TREATMENT (TRIVALENT CHROMIUM)	18	STEEL	NICKEL PLATING CROSS RECESSED HEAD MACHINE SCREWS WITH WASHER NO. 6 32-UNC
8	ALUMINUM ALLOY	BLACK CHROMATE TREATMENT (TRIVALENT CHROMIUM)	17	STEEL	BLACK CHROMATE TREATMENT (TRIVALENT CHROMIUM)
7	PHOSPHOR BRONZE	NICKEL PLATING	16	BRASS	NICKEL PLATING
6	SILICONE RUBBER	(BLACK)	15	CHLOROPRENE RUBBER	(BLACK)
5	COPPER ALLOY	SILVER PLATING 2 μm min.	14	ALUMINUM ALLOY	BLACK CHROMATE TREATMENT (TRIVALENT CHROMIUM)
4	COPPER ALLOY	SILVER PLATING 2 μm min.	13	STEEL	NICKEL PLATING JIS B 1177 M2.5×0.45×2.5
3	POLYPHENYLENE SULFIDE	(BLACK) UL94V-0	12	SILICONE RUBBER	(BLACK)
2	POLYPHENYLENE SULFIDE	(BLACK) UL94V-0	11	ALUMINUM ALLOY	BLACK CHROMATE TREATMENT (TRIVALENT CHROMIUM)
1	ALUMINUM ALLOY	BLACK CHROMATE TREATMENT (TRIVALENT CHROMIUM)	10	PHOSPHOR BRONZE	NICKEL PLATING
NO.	MATERIAL	FINISH . REMARKS	NO.	MATERIAL	FINISH . REMARKS

UNITS	SCALE	COUNT	DESCRIPTION OF REVISIONS	DESIGNED	CHECKED	DATE
mm	1 : 1	△				
HIROSE ELECTRIC CO., LTD.			APPROVED : SU. OBARA 10.11.08 CHECKED : HY. KISHI 10.11.08 DESIGNED : YS. SAKODA 10.11.08 DRAWN : YS. SAKODA 10.11.08	DRAWING NO. EDC3-113361-73 PART NO. H/MS08A18-10S-DT10D(73) CODE NO. CL120-0476-3-73		

## X-ON Electronics

Largest Supplier of Electrical and Electronic Components

*Click to view similar products for [Circular MIL Spec Connector](#) category:*

*Click to view products by [Hirose](#) manufacturer:*

Other Similar products are found below :

[0025-262-542](#) [0025-264-3014](#) [58-570121-04S](#) [0134-202-1200](#) [0134-207-1206](#) [0134-207-1800](#) [0134-207-2207](#) [0134-213-0806](#) [0134-213-1007](#) [0134-213-1009](#) [0134-213-1208](#) [0134-213-1800](#) [0134-213-2209](#) [0025-258-000](#) [015-9516-002](#) [60-042722-19P](#) [0114-201-1278](#) [602GB06EG24-61SN](#) [0134-201-1207](#) [0134-201-1806](#) [0134-201-2006](#) [0134-201-2007](#) [0134-201-2010](#) [0134-202-1400](#) [0134-207-0809](#) [0134-207-1208](#) [0134-207-2009](#) [0134-213-1006](#) [6104-207-2302](#) [6104-208-1902](#) [6131-202-19149P](#) [6131-204-21149P](#) [6131-207-13149P](#) [6131-208-13149P](#) [6131-209-17149P](#) [6131-210-11149P](#) [6131-211-19149P](#) [6131-216-19149P](#) [6131-220-25149P](#) [6131-259-11149P](#) [6131-259-21149P](#) [6131-259-23149P](#) [6131-263-19149P](#) [6131-265-17149P](#) [6131-265-19149P](#) [CS3102A-20-15P](#) [CS3102A-20-15S](#) [CS3102C18-4P-472](#) [CS3106A-20-29P](#) [CS3106A-20-74P](#)