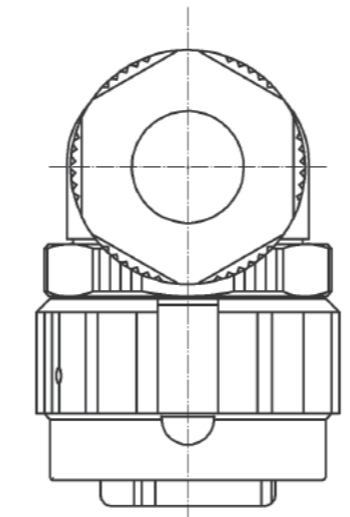
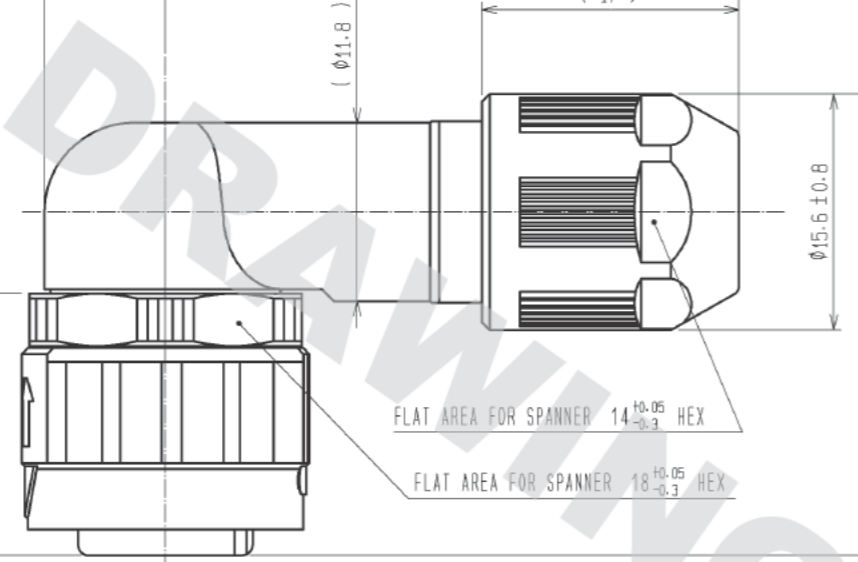
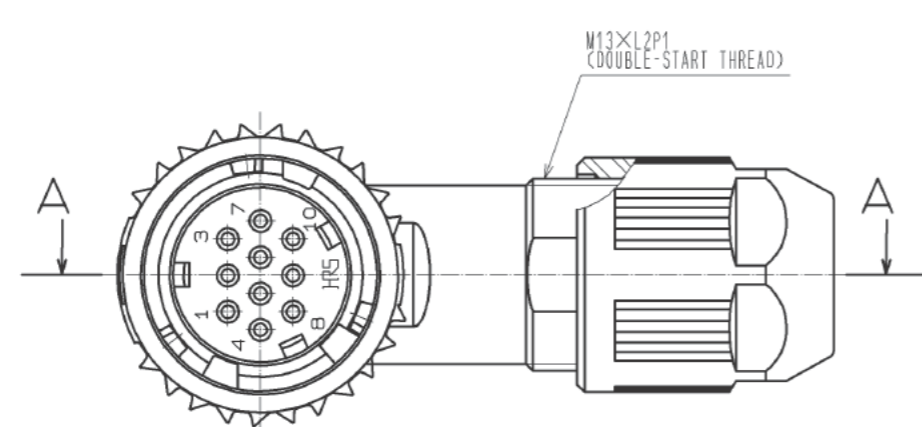
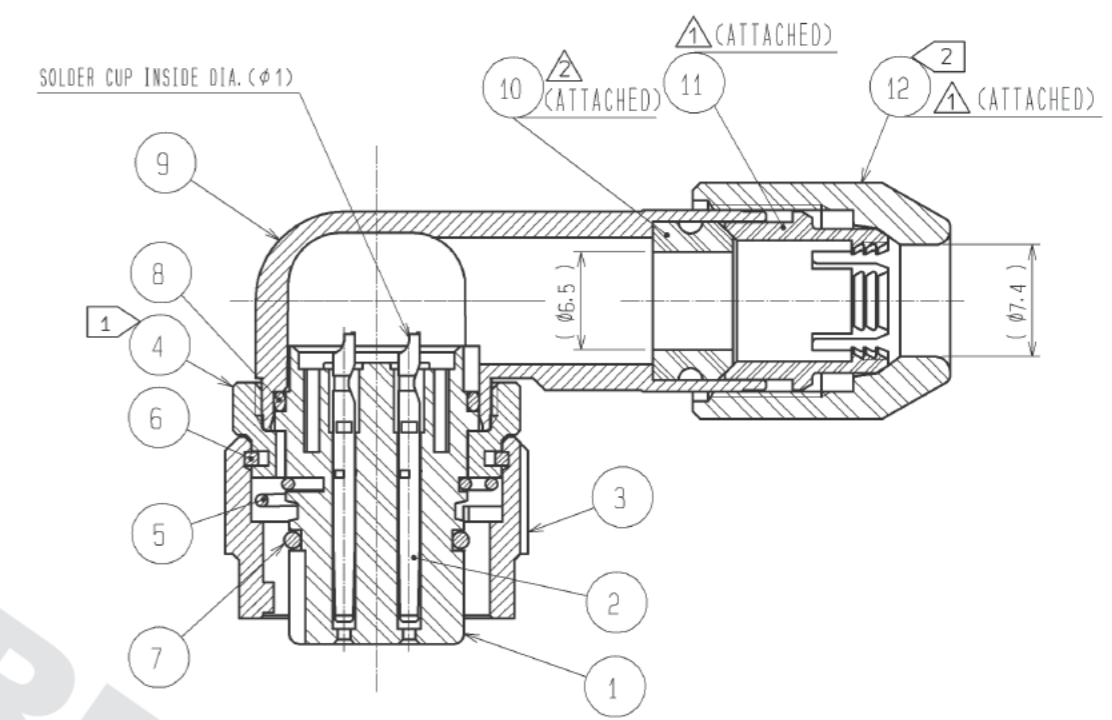


HRS



A-A



- NOTES
- ① THE RECOMMENDED TIGHTENING TORQUE OF REF. NO. ④ : 0.9 TO 1 N · m.
 - ② THE RECOMMENDED ADHESIVE OF REF. NO. ④ : LOCTITE 243 MADE BY HENKEL JAPAN LTD.
 - ③ THE RECOMMENDED TIGHTENING TORQUE OF REF. NO. ⑫ : 0.9 TO 1 N · m.
 - ④ THE RECOMMENDED ADHESIVE AND PRIMER OF REF. NO. ⑫ : LOCTITE 243 AND LOCK PRIMER 7649 MADE BY HENKEL JAPAN LTD.
 - ⑤ ROTATION EXAMPLE ARE SHOWN FOR REF. NO. ①, ④, ⑨, AND ⑫.
 - ⑥ THE CABLE PULL AND TWISTING STRENGTH AND OTHER CHARACTERISTICS MAY DIFER, DEPENDING ON THE CABLE STRUCTURE. PLEASE CONFIRM BEFORE THE USE.

5	STAINLESS STEEL		12	POLYPHENYLENE SULFIDE (BLACK) UL94V-0			
4	ZINC ALLOY	NICKEL PLATING	11	POLYAMIDE (WHITE) UL94V-0			
3	ZINC ALLOY	NICKEL PLATING	10	HYDROGENATION ACRYLONITRILE BUTADIENE RUBBER (BLACK)			
2	PHOSPHOR BRONZE	CONTACT AREA : GOLD 0.2µm min. TERMINAL AREA : GOLD FLASH. UNDER PLATING : NICKEL 2µm min.	9	ALUMINIUM ALLOY NICKEL PLATING			
			8	ACRYLONITRILE BUTADIENE RUBBER (BLACK)			
			7	ACRYLONITRILE BUTADIENE RUBBER (BLACK)			
1	POLYPHENYLENE SULFIDE (BLACK) UL94V-0	6	PHOSPHOR BRONZE NICKEL PLATING				
NO.	MATERIAL	FINISH . REMARKS	NO.	MATERIAL	FINISH . REMARKS		
UNITS mm		SCALE 2 : 1	COUNT 4	DESCRIPTION OF REVISIONS DIS-C-002646	DESIGNED DS. MATSUNE	CHECKED HY. KISHI	DATE 12. 07. 19
HRS HIROSE ELECTRIC CO., LTD.		APPROVED : MO. SATOH 08. 11. 12	DRAWING NO. EDC3-115626-00				
		CHECKED : TH. KAMEYA 08. 11. 11	PART NO. HR08D-12WLPA-10S				
		DESIGNED : DS. MATSUNE 08. 11. 11	CODE NO. CL108-0221-9-00				
		DRAWN : DS. MATSUNE 08. 11. 11					

DRAWING FOR REFERENCE: This is subject to change without notice 05/31/2013

X-ON Electronics

Largest Supplier of Electrical and Electronic Components

Click to view similar products for [Standard Circular Connector](#) category:

Click to view products by [Hirose](#) manufacturer:

Other Similar products are found below :

[5M2530B10P](#) [600259N006](#) [600273N007](#) [6134-336-13149](#) [6134-337-11149](#) [6134-337-2390](#) [6134-341-17149](#) [6280-4SG-516](#) [6280-7SG-3DC](#)
[6290](#) [6291A](#) [66200A-10](#) [680-SMG](#) [681-PMG](#) [CXS3102A14S2P](#) [CXS3102A181S](#) [7251-6SG-300](#) [7271-6SG-300](#) [7282-3PG-300-CH3](#) [75-](#)
[474014-05S](#) [75-474618-01S](#) [75-474618-04P](#) [75-474618-04S](#) [799539-000](#) [MI8-SE](#) [805-005-07NF11-19PC](#) [805-005-07NF15-7PA](#) [8280-4PG-](#)
[516](#) [8280-7PG-519](#) [8282-5PG-519](#) [836783-1](#) [MP-4102-25P-C](#) [862256-1](#) [864019-2](#) [866857-1](#) [867865-1](#) [PT01SP-14-18P](#) [PT08P-14-5S](#)
[PTSF06SE-14-12S](#) [120-1833-000](#) [QCM019PC2DC012B](#) [1-2069279-1](#) [121583-0217](#) [121667-0020](#) [129591AU](#) [1000B BULK](#) [RD10A16-19-](#)
[P6CS051/1](#) [RD10A20-31-P8CS051/1](#) [RD16A14-12-S6CS051/2](#) [1301240290](#) [1301240347](#)