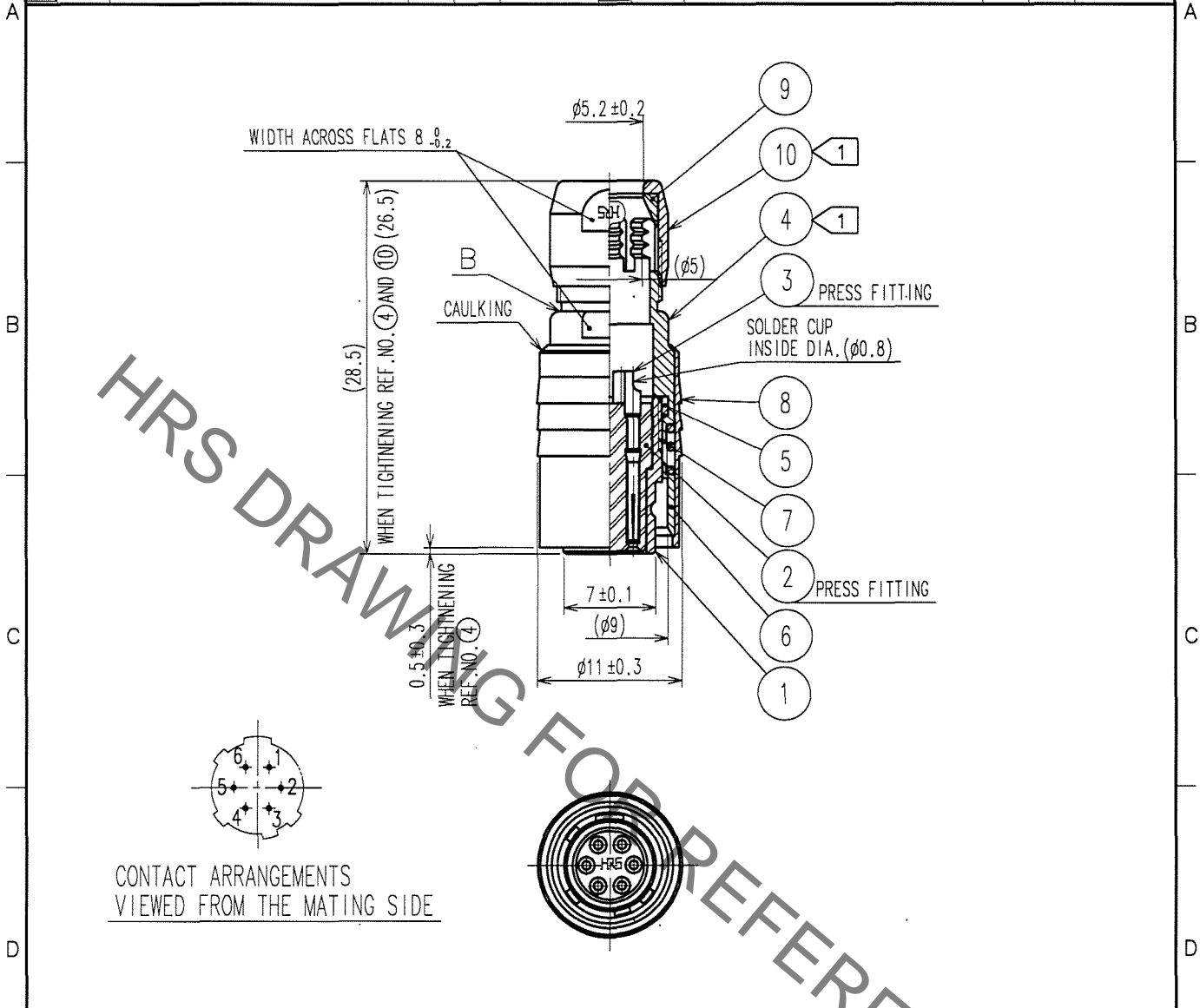


Sep.1.2021 Copyright 2021 HIROSE ELECTRIC CO., LTD. All Rights Reserved.
In case of consideration for using Automotive equipment / device which demand high reliability, kindly contact our sales window correspondents.

△						△					
△						△					
△						△					



CONTACT ARRANGEMENTS
VIEWED FROM THE MATING SIDE

NOTES 1 THE RECOMMENDED CLAMP TORQUE, REF. NO. 4 AND 10 : 1.5 N · m.
REF. NO. 10 SHALL BE TIGHTENED BY TORQUE AFTER CLAMPED UNTIL IT TOUCHES THE SURFACE B.
2 ONE EXAMPLE OF THE ROTATION OF REF. NO. 1, 4 AND 10 ARE SHOWN.

5	POLYAMIDE		10	BRASS	MATTE FINISH NICKEL PLATED
4	BRASS	MATTE FINISH NICKEL PLATED	9	POLYAMIDE	
3	BERYLLIUM COPPER	GOLD PLATING 0.2μ m min. NICKEL UNDER PLATING 2μ m min.	8	BRASS	MATTE FINISH NICKEL PLATED
2	POLYAMIDE	(BLUE)	7	STEEL	NICKEL PLATING
1	ZINC ALLOY	MATTE FINISH NICKEL PLATED	6	STAINLESS STEEL	
NO.	MATERIAL	FINISH, REMARKS	NO.	MATERIAL	FINISH, REMARKS

CODE NO. (OLD) CL	DRAWN <i>D. Matsune</i> 05.11.19	DESIGNED <i>D. Matsune</i> 05.11.19	CHECKED <i>E. Kurii</i> 05.11.22	APPROVED <i>M. Sato</i> 05.11.24	RELEASED
----------------------	--	---	--	--	----------

SACLE 2 : 1	DRAWING NO. EDC4-007759-73	PART NO. HR10-7P-6S(73)
	UNITS mm	CODE NO. CL110-0024-4-73

TO
R

X-ON Electronics

Largest Supplier of Electrical and Electronic Components

Click to view similar products for [Circular Push Pull Connectors](#) category:

Click to view products by [Hirose](#) manufacturer:

Other Similar products are found below :

[6407-249V-11273P](#) [6408-201V-13273](#) [6408-202V-13343](#) [6408-202V-17343](#) [EZG.0B.309.CLN](#) [FFA.2S.310.ZLA](#) [FGA.1B.307.CYCD72Z](#)
[FGJ.1B.304.CLLD76](#) [FGJ.1B.306.CWLD72](#) [FGJ.2B.302.CYMD82Z](#) [FGJ.2B.310.CYMD72Z](#) [FGJ.3B.304.CYMD10Z](#)
[FGJ.3B.304.CYMD82Z](#) [FHJ.2B.310.CLLD72](#) [PCS.01.250.DLLE24](#) [PHG.0K.305.CYMC40Z](#) [PHG.1K.308.CLLK85](#) [PKG.M0.6BL.LZ](#)
[PLC.M1.0SL.LA](#) [GMA.10.290.DN](#) [GMA.3B.090.DA](#) [PRG.M0.6GL.LC52GZ](#) [PSA.1S.275.CTLC66](#) [ABF.1S.250.NTA](#) [133020F](#)
[1331ER193MZ](#) [1332M107MZ](#) [DTS26Z19-32JA-LC](#) [DTS26Z19-32SA](#) [DTS26Z19-32SA-LC](#) [DTS26Z23-55HA](#) [DTS26Z23-55HA-LC](#)
[DTS26Z23-55JA-LC](#) [EAJ.1B.306.CWA](#) [ECG.XB.312.CLL](#) [1589430-2](#) [EEA.0B.305.CLN](#) [EEA.0B.309.CLL](#) [ELF.00.250.NTL](#)
[ERA.01.250.DLL](#) [BRD.0B.200.PCSG](#) [BRR.2S.200.PZVG](#) [HR10A-P](#) [CAH.M34.SLL.C72GZ](#) [CAJ.M34.SLL.C72GZ](#) [300500](#)
[ESB.00.303.NLL](#) [EXG.0B.309.HLN](#) [FFB.1S.250.CLAC27](#) [FFG.1B.306.CLAZ](#)