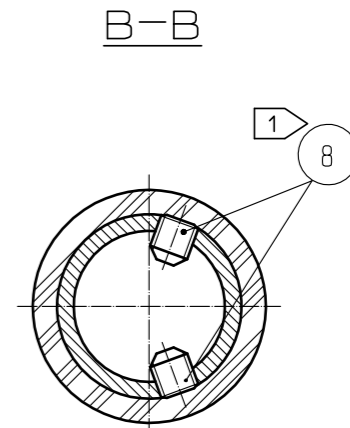
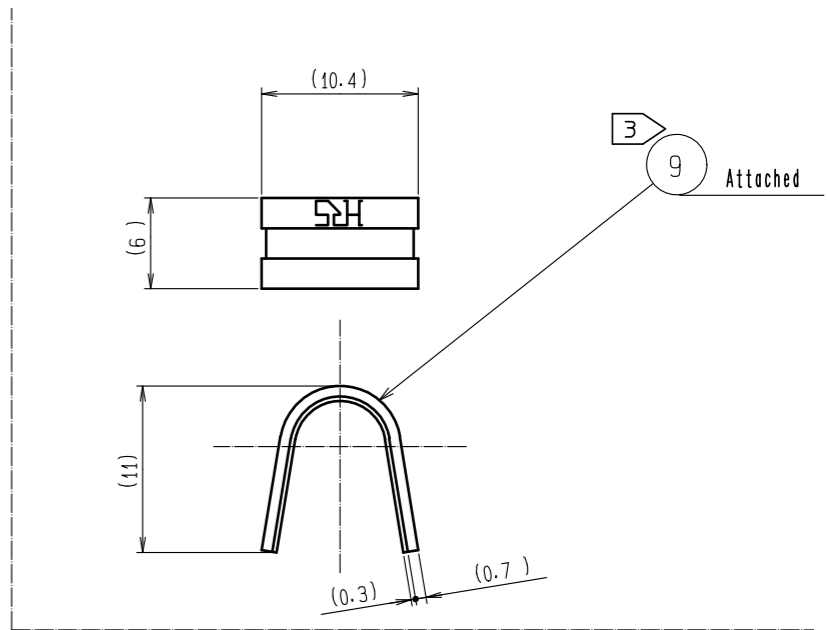
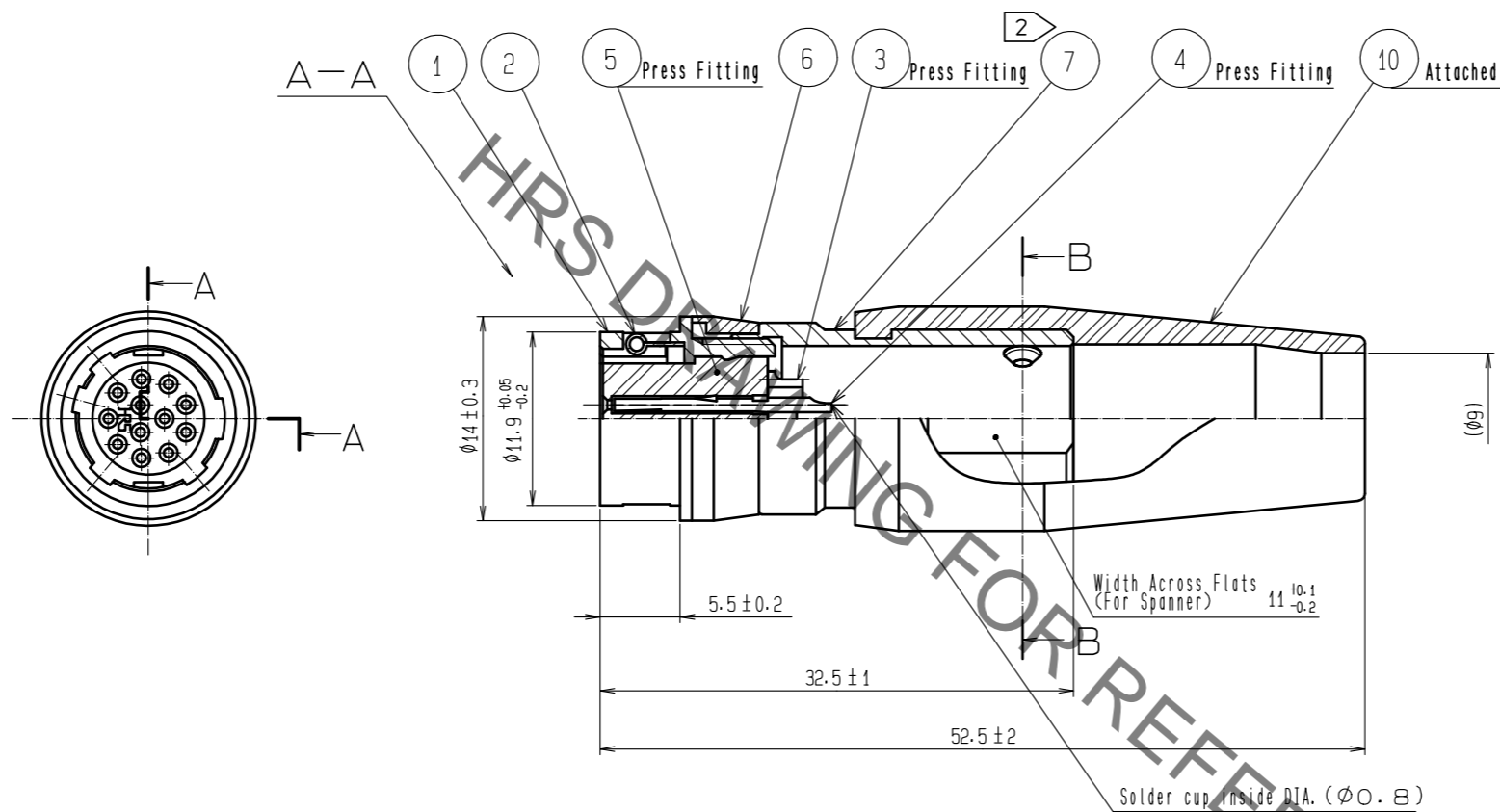


Jun.1.2019 Copyright 2019 HIROSE ELECTRIC CO., LTD. All Rights Reserved.  
 In case of consideration for using Automotive equipment / device which demand high reliability, kindly contact our sales window correspondents.



- Notes
- ① Across flats hexagon head of REF. NO. ⑧: 1.27  
 The concave portion with REF. NO. ⑨ clamped to the cable.  
 The recommended tightening torque, REF. NO. ⑧: 0.3 to 0.4 N·m.  
 LOCTITE 263, HENKEL JAPAN or equivalent is recommended to prevent REF. NO. ⑧ for loosening.
  - ② The recommended tightening torque, REF. NO. ⑦: 2 to 2.5 N·m.  
 LOCTITE 263, HENKEL JAPAN or equivalent is recommended to prevent REF. NO. ⑦ for loosening.
  - ③ Applicable crimping tool of REF. NO. ⑩: HR10A-TC-03(CCL150-0057-2)
  - ④ One example of the rotation of REF. NO. ⑦ to REF. NO. ① is shown.
  - ⑤ The cable pull and twisting strength and other characteristics may differ, depending on the cable structure. Please confirm before the use.

NO.	MATERIAL	FINISH . REMARKS	NO.	MATERIAL	FINISH . REMARKS
5	Polyamide	(Black) UL94V-0	10	Chloroprene rubber	(Black)
4	Phosphor bronze	Silver plating 2μm min.	9	Brass	
3	Phosphor bronze	Silver plating 2μm min.	8	Steel	Nickel plating M2.6×0.45×3
2	Stainless steel		7	Brass	Matte finish nickel plated
1	Zinc alloy	Matte finish nickel plated	6	Brass	Matte finish nickel plated

UNITS mm		SCALE 2 : 1	COUNT 	DESCRIPTION OF REVISIONS	DESIGNED	CHECKED	DATE
<b>HRS</b> HIROSE ELECTRIC CO., LTD.		APPROVED : E.J. KUNII	15.09.09	DRAWING NO.	EDC-042037-73-73		
		CHECKED : E.J. KUNII	15.09.09	PART NO.	HR10A-10JE-12S(73)		
		DESIGNED : TP. KOMATSU	15.09.09	CODE NO.	CL110-0451-5-73		
		DRAWN : TP. KOMATSU	15.09.09		1/1		

## X-ON Electronics

Largest Supplier of Electrical and Electronic Components

*Click to view similar products for [Circular Push Pull Connectors](#) category:*

*Click to view products by [Hirose](#) manufacturer:*

Other Similar products are found below :

[6407-249V-11273P](#) [6408-201V-13273](#) [6408-202V-13343](#) [6408-202V-17343](#) [EZG.0B.309.CLN](#) [FFA.2S.310.ZLA](#) [FGA.1B.307.CYCD72Z](#)  
[FGJ.1B.304.CLLD76](#) [FGJ.1B.306.CWLD72](#) [FGJ.3B.304.CYMD10Z](#) [FGJ.3B.304.CYMD82Z](#) [PCS.01.250.DLLE24](#) [PHG.0K.305.CYMC40Z](#)  
[PHG.1K.308.CLLK85](#) [PKG.M0.6BL.LZ](#) [PLC.M1.0SL.LA](#) [GMA.10.290.DN](#) [GMA.3B.090.DA](#) [PRG.M0.6GL.LC52GZ](#) [PSA.1S.275.CTLC66](#)  
[ABF.1S.250.NTA](#) [133020F](#) [1331ER193MZ](#) [1332M107MZ](#) [DTS26Z19-32JA-LC](#) [DTS26Z19-32SA](#) [DTS26Z19-32SA-LC](#) [DTS26Z23-55HA](#)  
[DTS26Z23-55HA-LC](#) [DTS26Z23-55JA-LC](#) [EAJ.1B.306.CWA](#) [ECG.XB.312.CLL](#) [1589430-2](#) [EEA.0B.305.CLN](#) [EEA.0B.309.CLL](#)  
[ELF.00.250.NTL](#) [ERA.01.250.DLL](#) [BRD.0B.200.PCSG](#) [BRR.2S.200.PZVG](#) [HR10A-P](#) [CAH.M34.SLL.C72GZ](#) [CAJ.M34.SLL.C72GZ](#)  
[300500](#) [ESB.00.303.NLL](#) [EXG.0B.309.HLN](#) [FFB.1S.250.CLAC27](#) [FGA.2B.306.CYCD92](#) [FGA.2B.306.CYCD92Z](#) [FGA.XB.312.CLAD72](#)  
[FGJ.1B.302.CYMD62](#)