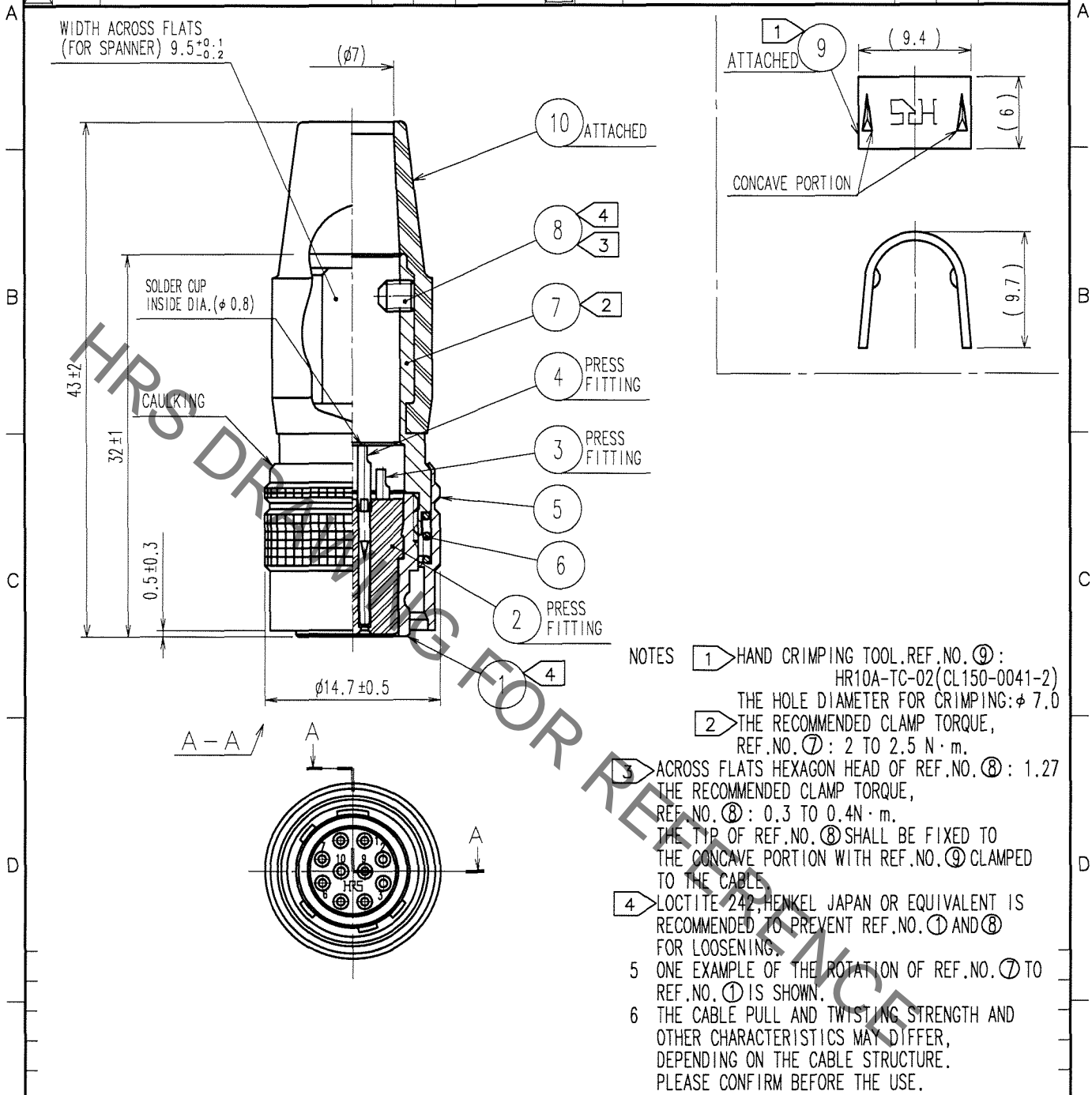


Aug. 1. 2021 Copyright 2021 HIROSE ELECTRIC CO., LTD. All Rights Reserved.
In case of consideration for using Automotive equipment / device which demand high reliability, kindly contact our sales window correspondents.

1		2		3		4			
COUNT	DESCRIPTION OF REVISIONS	BY	CHKD	DATE	COUNT	DESCRIPTION OF REVISIONS	BY	CHKD	DATE
△					△				
△					△				
△					△				



- NOTES
- ① HAND CRIMPING TOOL, REF. NO. ⑨ : HR10A-TC-02 (CL150-0041-2)
 - ② THE HOLE DIAMETER FOR CRIMPING: $\phi 7.0$
 - ③ THE RECOMMENDED CLAMP TORQUE, REF. NO. ⑦ : 2 TO 2.5 N·m.
 - ④ ACROSS FLATS HEXAGON HEAD OF REF. NO. ⑧ : 1.27 THE RECOMMENDED CLAMP TORQUE, REF. NO. ⑧ : 0.3 TO 0.4 N·m.
 - ⑤ THE TIP OF REF. NO. ⑧ SHALL BE FIXED TO THE CONCAVE PORTION WITH REF. NO. ⑨ CLAMPED TO THE CABLE.
 - ⑥ LOCTITE 242, HENKEL JAPAN OR EQUIVALENT IS RECOMMENDED TO PREVENT REF. NO. ① AND ⑧ FOR LOOSENING.
 - ⑦ ONE EXAMPLE OF THE ROTATION OF REF. NO. ⑦ TO REF. NO. ① IS SHOWN.
 - ⑧ THE CABLE PULL AND TWISTING STRENGTH AND OTHER CHARACTERISTICS MAY DIFFER, DEPENDING ON THE CABLE STRUCTURE. PLEASE CONFIRM BEFORE THE USE.

5	BRASS	MATTE FINISH NICKEL PLATED	10	CHLOROPRENE RUBBER (BLACK)	
4	PHOSPHOR BRONZE	OVER PLATING: GOLD 0.2 μ m min.	9	BRASS	
3	PHOSPHOR BRONZE	UNDER PLATING: NICKEL 2 μ m min.	8	STEEL	NICKEL PLATING M2.6×0.45×3
2	POLYAMIDE	(BLACK) UL94V-0	7	BRASS	NICKEL PLATING
1	ZINC ALLOY	MATTE FINISH NICKEL PLATED	6	STEEL	NICKEL PLATING
NO.	MATERIAL	FINISH, REMARKS	NO.	MATERIAL	FINISH, REMARKS

CODE NO. (OLD) CL		DRAWN <i>M. Sato</i> 07.04.11	DESIGNED <i>H. Wada</i> 07.04.11	CHECKED <i>E. Kunita</i> 07.04.11	APPROVED <i>M. Sato</i> 07.04.11	RELEASED
DRAWING NO. EDC4-021367-74		PART NO. HR10A-10P-10S(74)				
SCALE 2 : 1		CODE NO. CL110-0408-6-74				1 1
UNITS mm		HIROSE ELECTRIC CO., LTD.				FORM NO. 228

TO
R

X-ON Electronics

Largest Supplier of Electrical and Electronic Components

Click to view similar products for [Circular Push Pull Connectors](#) category:

Click to view products by [Hirose](#) manufacturer:

Other Similar products are found below :

[6407-249V-11273P](#) [6408-201V-13273](#) [6408-202V-13343](#) [6408-202V-17343](#) [EZG.0B.309.CLN](#) [FFA.2S.310.ZLA](#) [FGA.1B.307.CYCD72Z](#)
[FGJ.1B.304.CLLD76](#) [FGJ.1B.306.CWLD72](#) [FGJ.3B.304.CYMD10Z](#) [FGJ.3B.304.CYMD82Z](#) [PCS.01.250.DLLE24](#) [PHG.0K.305.CYMC40Z](#)
[PHG.1K.308.CLLK85](#) [PKG.M0.6BL.LZ](#) [PLC.M1.0SL.LA](#) [GMA.10.290.DN](#) [GMA.3B.090.DA](#) [PRG.M0.6GL.LC52GZ](#) [PSA.1S.275.CTLC66](#)
[ABF.1S.250.NTA](#) [133020F](#) [1331ER193MZ](#) [1332M107MZ](#) [DTS26Z19-32JA-LC](#) [DTS26Z19-32SA](#) [DTS26Z19-32SA-LC](#) [DTS26Z23-55HA](#)
[DTS26Z23-55HA-LC](#) [DTS26Z23-55JA-LC](#) [EAJ.1B.306.CWA](#) [ECG.XB.312.CLL](#) [1589430-2](#) [EEA.0B.305.CLN](#) [EEA.0B.309.CLL](#)
[ELF.00.250.NTL](#) [ERA.01.250.DLL](#) [BRD.0B.200.PCSG](#) [BRR.2S.200.PZVG](#) [HR10A-P](#) [CAH.M34.SLL.C72GZ](#) [CAJ.M34.SLL.C72GZ](#)
[300500](#) [ESB.00.303.NLL](#) [EXG.0B.309.HLN](#) [FFB.1S.250.CLAC27](#) [FGA.2B.306.CYCD92](#) [FGA.2B.306.CYCD92Z](#) [FGA.XB.312.CLAD72](#)
[FGJ.1B.302.CYMD62](#)