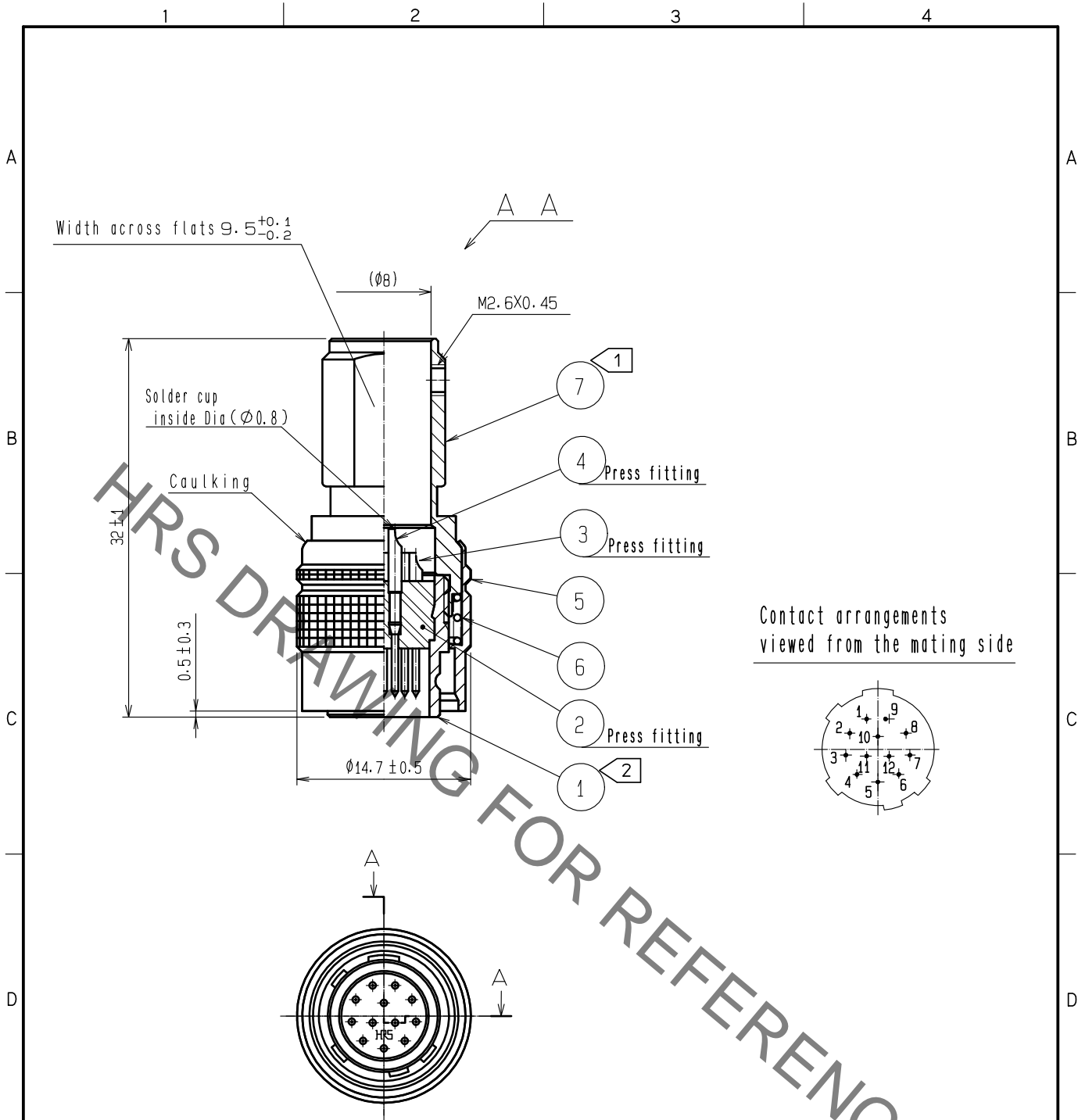
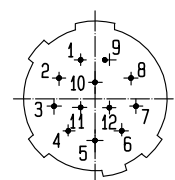


Aug. 1. 2021 Copyright 2021 HIROSE ELECTRIC CO., LTD. All Rights Reserved.
 In case of consideration for using Automotive equipment / device which demand high reliability, kindly contact our sales window correspondents.



Contact arrangements viewed from the mating side



- Notes
- ① The recommended tightening torque, REF. NO. ⑦ : 2 to 2.5 N · m.
 - ② LOCTITE 243, HENKEL JAPAN or equivalent is recommended to prevent REF. NO. ① for loosening.
 - ③ One example of the rotation of REF. NO. ⑦ to REF. NO. ① is shown.

| 4 | Brass | Gold plating 0.2 μ min. | 7 | Brass | Nickel plating |
|-----|------------|-------------------------------|-----|----------|---|
| 3 | Brass | Nickel under plating 2 μ min. | 6 | Steel | Nickel plating |
| 2 | Polyamide | (Black) UL94V-0 | 5 | Brass | Black Chromate Treatment (Trivalent Chrome) |
| 1 | Zinc alloy | Matte finish nickel plated | | | |
| NO. | MATERIAL | FINISH . REMARKS | NO. | MATERIAL | FINISH . REMARKS |

| | | | | | | | |
|---------------------------|--|----------------|-----------|--|---|---------|------|
| UNITS mm | | SCALE 2 : 1 | COUNT | DESCRIPTION OF REVISIONS | DESIGNED | CHECKED | DATE |
| HIROSE ELECTRIC CO., LTD. | | | | APPROVED : EJ. KUNII 15. 09. 29 CHECKED : EJ. KUNII 15. 09. 29 DESIGNED : TP. KOMATSU 15. 09. 29 DRAWN : TP. KOMATSU 15. 09. 29 | DRAWING NO. EDC-010386-78-78 PART NO. HR10A-10P-12P(78) CODE NO. CL110-0401-7-78 | 1/1 | |

X-ON Electronics

Largest Supplier of Electrical and Electronic Components

Click to view similar products for [Circular Push Pull Connectors](#) category:

Click to view products by [Hirose](#) manufacturer:

Other Similar products are found below :

[6407-249V-11273P](#) [6408-201V-13273](#) [6408-202V-13343](#) [6408-202V-17343](#) [EZG.0B.309.CLN](#) [FFA.2S.310.ZLA](#) [FGA.1B.307.CYCD72Z](#)
[FGJ.1B.304.CLLD76](#) [FGJ.1B.306.CWLD72](#) [FGJ.3B.304.CYMD10Z](#) [FGJ.3B.304.CYMD82Z](#) [FHG.1B.303.CYCZ](#) [PCS.01.250.DLLE24](#)
[PHG.0K.305.CYMC40Z](#) [PHG.1K.308.CLLK85](#) [PKG.M0.6BL.LZ](#) [PLC.M1.0SL.LA](#) [GMA.10.290.DN](#) [GMA.3B.090.DA](#)
[PRG.M0.6GL.LC52GZ](#) [PSA.1S.275.CTLC66](#) [ABF.1S.250.NTA](#) [133020F](#) [1331ER193MZ](#) [1332M107MZ](#) [DTS26Z19-32JA-LC](#) [DTS26Z19-](#)
[32SA](#) [DTS26Z19-32SA-LC](#) [DTS26Z23-55HA](#) [DTS26Z23-55HA-LC](#) [EAJ.1B.306.CWA](#) [ECG.XB.312.CLL](#) [1589430-2](#) [EEA.0B.305.CLN](#)
[EEA.0B.309.CLL](#) [ELF.00.250.NTL](#) [ERA.01.250.DLL](#) [BRR.2S.200.PZVG](#) [HR10A-P](#) [CAH.M34.SLL.C72GZ](#) [CAJ.M34.SLL.C72GZ](#) [300500](#)
[ESB.00.303.NLL](#) [EXG.0B.309.HLN](#) [FFB.1S.250.CLAC27](#) [FGA.2B.306.CYCD92](#) [FGA.2B.306.CYCD92Z](#) [FGA.XB.312.CLAD72](#)
[FGJ.1B.302.CYMD62](#) [FGJ.3B.308.CLLD72Z](#)