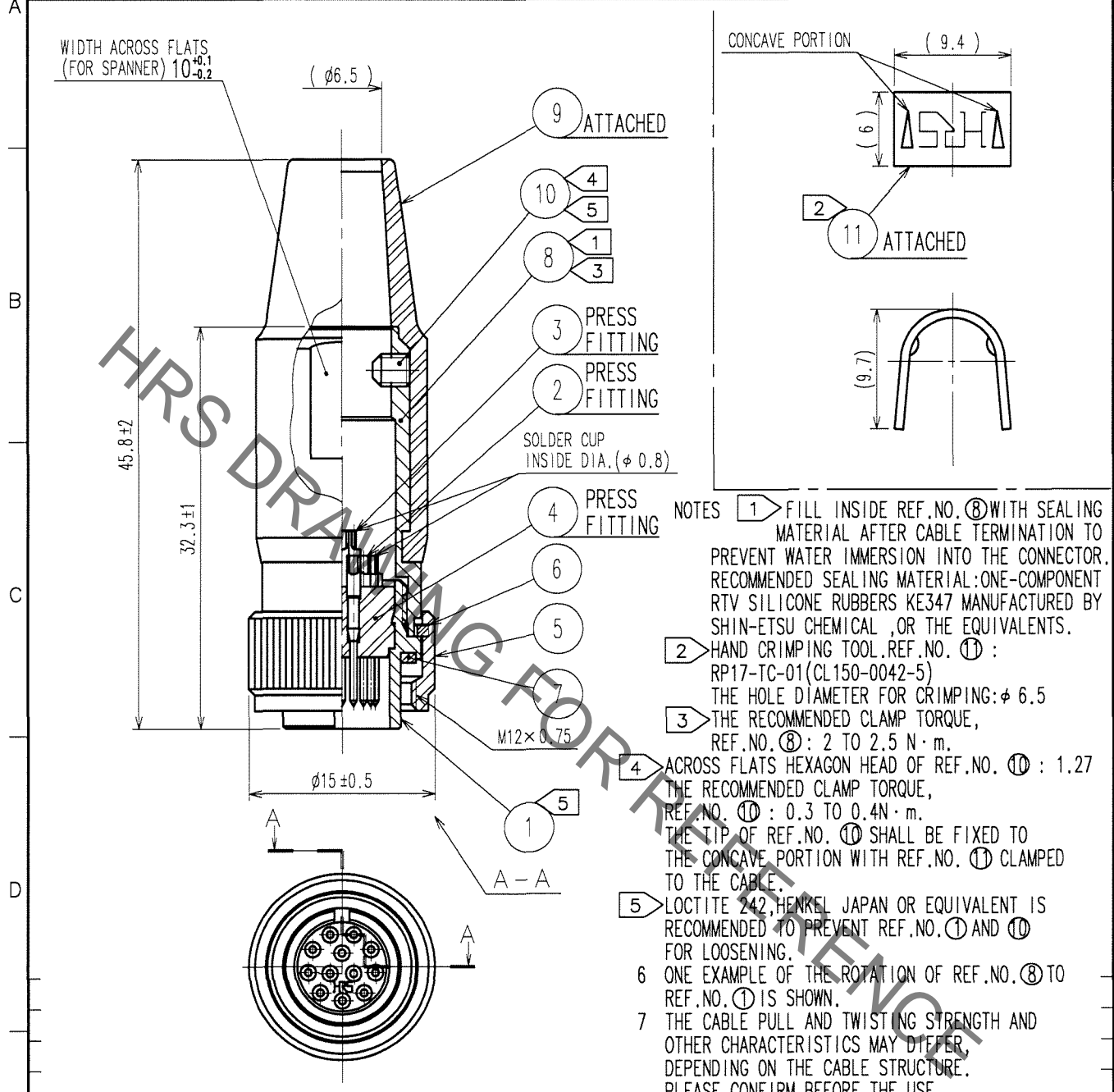


Jun.1.2019 Copyright 2019 HIROSE ELECTRIC CO., LTD. All Rights Reserved.
In case of consideration for using Automotive equipment / device which demand high reliability, kindly contact our sales window correspondents.

1		2			3			4		
COUNT	DESCRIPTION OF REVISIONS	BY	CHKD	DATE	COUNT	DESCRIPTION OF REVISIONS	BY	CHKD	DATE	
△					△					
△					△					
△					△					



NOTES

- 1 FILL INSIDE REF.NO. ⑧ WITH SEALING MATERIAL AFTER CABLE TERMINATION TO PREVENT WATER IMMERSION INTO THE CONNECTOR. RECOMMENDED SEALING MATERIAL: ONE-COMPONENT RTV SILICONE RUBBERS KE347 MANUFACTURED BY SHIN-ETSU CHEMICAL, OR THE EQUIVALENTS.
- 2 HAND CRIMPING TOOL, REF. NO. ⑪ : RP17-TC-01 (CL150-0042-5) THE HOLE DIAMETER FOR CRIMPING: φ 6.5
- 3 THE RECOMMENDED CLAMP TORQUE, REF. NO. ⑧ : 2 TO 2.5 N·m.
- 4 ACROSS FLATS HEXAGON HEAD OF REF. NO. ⑩ : 1.27 THE RECOMMENDED CLAMP TORQUE, REF. NO. ⑩ : 0.3 TO 0.4N·m. THE TIP OF REF. NO. ⑩ SHALL BE FIXED TO THE CONCAVE PORTION WITH REF. NO. ① CLAMPED TO THE CABLE.
- 5 LOCTITE 242, HENKEL JAPAN OR EQUIVALENT IS RECOMMENDED TO PREVENT REF. NO. ① AND ⑩ FOR LOOSENING.
- 6 ONE EXAMPLE OF THE ROTATION OF REF. NO. ⑧ TO REF. NO. ① IS SHOWN.
- 7 THE CABLE PULL AND TWISTING STRENGTH AND OTHER CHARACTERISTICS MAY DIFFER, DEPENDING ON THE CABLE STRUCTURE. PLEASE CONFIRM BEFORE THE USE.

6	PHOSPHOR BRONZE	NICKEL PLATING			
5	BRASS	NICKEL PLATING	11	BRASS	
4	POLYAMIDE	(BLACK) UL94V-0	10	STEEL	NICKEL PLATING
3	BRASS	OVER PLATING: GOLD 0.2μ m min.	9	CHLOROPRENE RUBBER	(BLACK)
2	BRASS	UNDER PLATING: NICKEL 2μ m min.	8	BRASS	NICKEL PLATING
1	BRASS	NICKEL PLATING	7	CHLOROPRENE RUBBER	(BLACK)
NO.	MATERIAL	FINISH, REMARKS	NO.	MATERIAL	FINISH, REMARKS

CODE NO. (OLD) CL	DRAWN <i>M. Sato</i> 07-03-27	DESIGNED <i>T. Nishi</i> 07-03-24	CHECKED <i>E. Hara</i> 07-03-24	APPROVED <i>M. Sato</i> 07-03-28	RELEASED
DRAWING NO. EDC4-027421-74		PART NO. HR10A-10WTP-12P(74)			
SCALE 2 : 1		CODE NO. CL110-1101-9-74			1 / 1
UNITS mm		HIROSE ELECTRIC CO., LTD.			

TO
R

X-ON Electronics

Largest Supplier of Electrical and Electronic Components

Click to view similar products for [Circular Push Pull Connectors](#) category:

Click to view products by [Hirose](#) manufacturer:

Other Similar products are found below :

[6407-249V-11273P](#) [6408-201V-13273](#) [6408-202V-13343](#) [6408-202V-17343](#) [EZG.0B.309.CLN](#) [FFA.2S.310.ZLA](#) [FGA.1B.307.CYCD72Z](#)
[FGJ.1B.304.CLLD76](#) [FGJ.1B.306.CWLD72](#) [FGJ.3B.304.CYMD10Z](#) [FGJ.3B.304.CYMD82Z](#) [PCS.01.250.DLLE24](#) [PHG.0K.305.CYMC40Z](#)
[PHG.1K.308.CLLK85](#) [PKG.M0.6BL.LZ](#) [PLC.M1.0SL.LA](#) [GMA.10.290.DN](#) [GMA.3B.090.DA](#) [PRG.M0.6GL.LC52GZ](#) [PSA.1S.275.CTLC66](#)
[ABF.1S.250.NTA](#) [133020F](#) [1331ER193MZ](#) [1332M107MZ](#) [DTS26Z19-32JA-LC](#) [DTS26Z19-32SA](#) [DTS26Z19-32SA-LC](#) [DTS26Z23-55HA](#)
[DTS26Z23-55HA-LC](#) [DTS26Z23-55JA-LC](#) [EAJ.1B.306.CWA](#) [ECG.XB.312.CLL](#) [1589430-2](#) [EEA.0B.305.CLN](#) [EEA.0B.309.CLL](#)
[ELF.00.250.NTL](#) [ERA.01.250.DLL](#) [BRD.0B.200.PCSG](#) [BRR.2S.200.PZVG](#) [HR10A-P](#) [CAH.M34.SLL.C72GZ](#) [CAJ.M34.SLL.C72GZ](#)
[300500](#) [ESB.00.303.NLL](#) [EXG.0B.309.HLN](#) [FFB.1S.250.CLAC27](#) [FGA.2B.306.CYCD92](#) [FGA.2B.306.CYCD92Z](#) [FGA.XB.312.CLAD72](#)
[FGJ.1B.302.CYMD62](#)