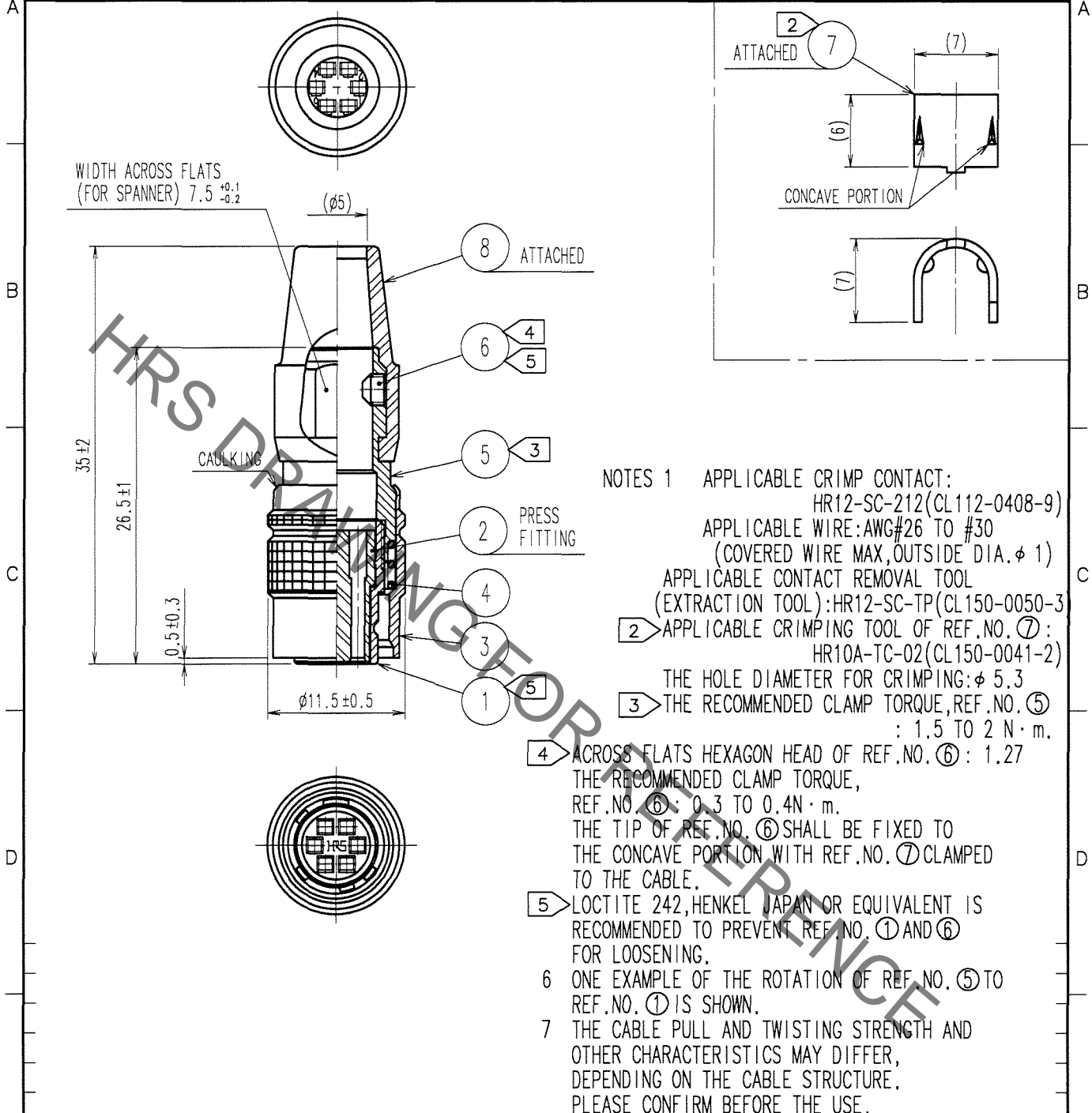


Sep.1.2021 Copyright 2021 HIROSE ELECTRIC CO., LTD. All Rights Reserved. In case of consideration for using Automotive equipment / device which demand high reliability, kindly contact our sales window correspondents.

1		2		3		4			
COUNT	DESCRIPTION OF REVISIONS	BY	CHKD	DATE	COUNT	DESCRIPTION OF REVISIONS	BY	CHKD	DATE
△					△				
△					△				
△					△				



- NOTES
- 1 APPLICABLE CRIMP CONTACT:
HR12-SC-212(CL112-0408-9)
APPLICABLE WIRE: AWG#26 TO #30
(COVERED WIRE MAX, OUTSIDE DIA. ϕ 1)
 - 2 APPLICABLE CONTACT REMOVAL TOOL
(EXTRACTION TOOL): HR12-SC-TP(CL150-0050-3)
 - 3 APPLICABLE CRIMPING TOOL OF REF. NO. ⑦:
HR10A-TC-02(CL150-0041-2)
THE HOLE DIAMETER FOR CRIMPING: ϕ 5.3
 - 4 THE RECOMMENDED CLAMP TORQUE, REF. NO. ⑤
: 1.5 TO 2 N·m.
 - 5 ACROSS FLATS HEXAGON HEAD OF REF. NO. ⑥ : 1.27
THE RECOMMENDED CLAMP TORQUE,
REF. NO. ⑥ : 0.3 TO 0.4N·m.
THE TIP OF REF. NO. ⑥ SHALL BE FIXED TO
THE CONCAVE PORTION WITH REF. NO. ⑦ CLAMPED
TO THE CABLE.
 - 6 LOCTITE 242, HENKEL JAPAN OR EQUIVALENT IS
RECOMMENDED TO PREVENT REF. NO. ① AND ⑥
FOR LOOSENING.
 - 7 ONE EXAMPLE OF THE ROTATION OF REF. NO. ⑤ TO
REF. NO. ① IS SHOWN.
 - 8 THE CABLE PULL AND TWISTING STRENGTH AND
OTHER CHARACTERISTICS MAY DIFFER,
DEPENDING ON THE CABLE STRUCTURE.
PLEASE CONFIRM BEFORE THE USE.

4	STEEL	NICKEL PLATING	8	CHLOROPRENE RUBBER (BLACK)	
3	BRASS	MATTE FINISH NICKEL PLATED	7	BRASS	
2	POLYBUTYLENE TEREPHTHALATE	(BLACK) UL94V-0	6	STEEL	NICKEL PLATING M2.6×0.45×2
1	ZINC ALLOY	MATTE FINISH NICKEL PLATED	5	BRASS	NICKEL PLATING
NO.	MATERIAL	FINISH, REMARKS	NO.	MATERIAL	FINISH, REMARKS

CODE NO. (OLD) CL		DRAWN <i>M. Sato</i> 07.03.07	DESIGNED <i>J. Horie</i> 07.03.07	CHECKED <i>E. Murai</i> 07.03.08	APPROVED <i>M. Sato</i> 07.03.08	RELEASED
DRAWING NO. EDC4-025177-73		PART NO. HR10A-7P-6SC(73)				
SCALE 2 : 1		CODE NO. CL110-0504-0-73				1/1
UNITS mm		HIROSE ELECTRIC CO., LTD.				

TO
R

X-ON Electronics

Largest Supplier of Electrical and Electronic Components

Click to view similar products for [Circular Push Pull Connectors](#) category:

Click to view products by [Hirose](#) manufacturer:

Other Similar products are found below :

[6407-249V-11273P](#) [6408-201V-13273](#) [6408-202V-13343](#) [6408-202V-17343](#) [EZG.0B.309.CLN](#) [FFA.2S.310.ZLA](#) [FGA.1B.307.CYCD72Z](#)
[FGJ.1B.304.CLLD76](#) [FGJ.1B.306.CWLD72](#) [FGJ.3B.304.CYMD10Z](#) [FGJ.3B.304.CYMD82Z](#) [PCS.01.250.DLLE24](#) [PHG.0K.305.CYMC40Z](#)
[PHG.1K.308.CLLK85](#) [PKG.M0.6BL.LZ](#) [PLC.M1.0SL.LA](#) [GMA.10.290.DN](#) [GMA.3B.090.DA](#) [PRG.M0.6GL.LC52GZ](#) [PSA.1S.275.CTLC66](#)
[ABF.1S.250.NTA](#) [133020F](#) [1331ER193MZ](#) [1332M107MZ](#) [DTS26Z19-32JA-LC](#) [DTS26Z19-32SA](#) [DTS26Z19-32SA-LC](#) [DTS26Z23-55HA](#)
[DTS26Z23-55HA-LC](#) [DTS26Z23-55JA-LC](#) [EAJ.1B.306.CWA](#) [ECG.XB.312.CLL](#) [1589430-2](#) [EEA.0B.305.CLN](#) [EEA.0B.309.CLL](#)
[ELF.00.250.NTL](#) [ERA.01.250.DLL](#) [BRD.0B.200.PCSG](#) [BRR.2S.200.PZVG](#) [HR10A-P](#) [CAH.M34.SLL.C72GZ](#) [CAJ.M34.SLL.C72GZ](#)
[300500](#) [ESB.00.303.NLL](#) [EXG.0B.309.HLN](#) [FFB.1S.250.CLAC27](#) [FGA.2B.306.CYCD92](#) [FGA.2B.306.CYCD92Z](#) [FGA.XB.312.CLAD72](#)
[FGJ.1B.302.CYMD62](#)