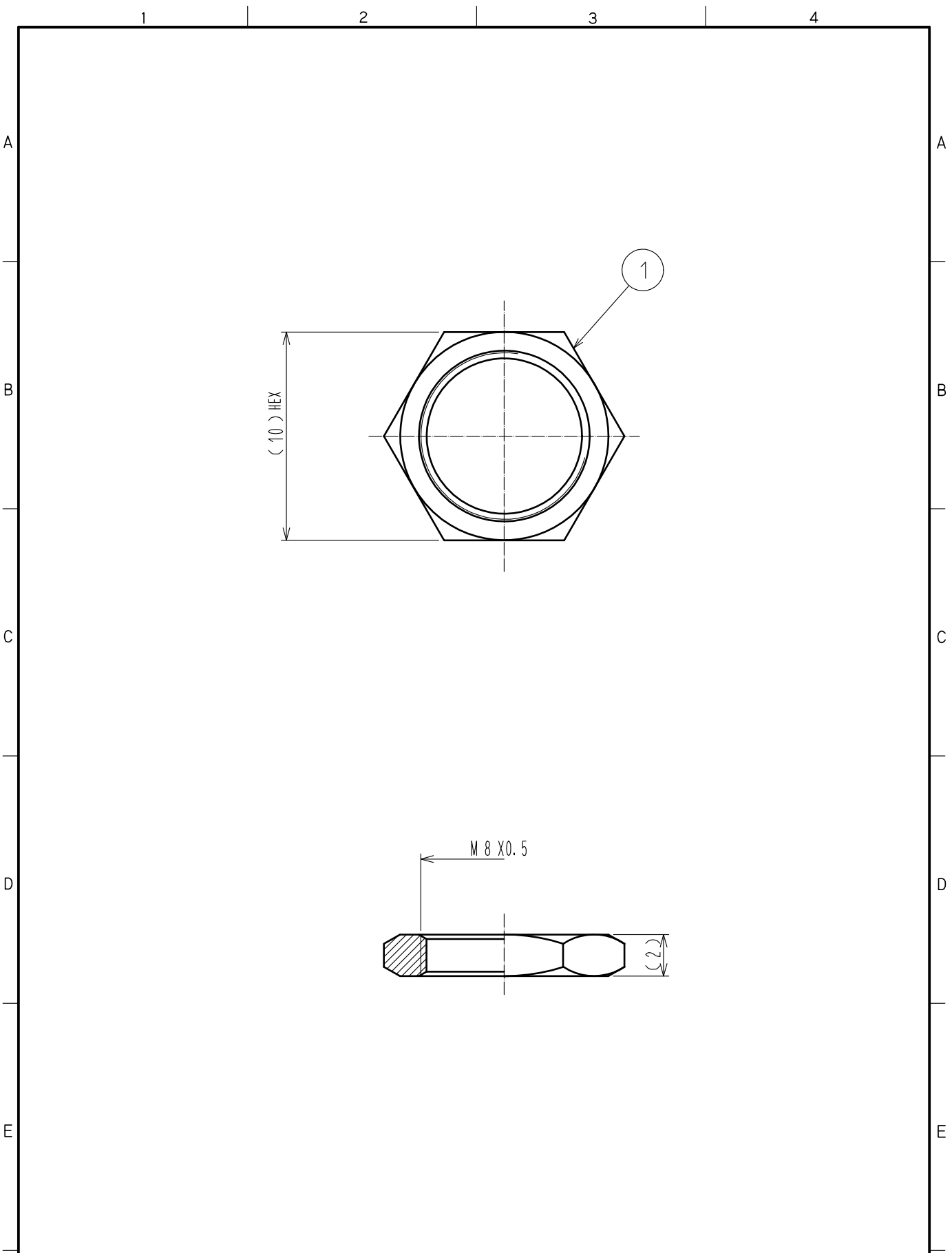


APPLICABLE STANDARD					
RATING	Operating temperature range.	—°C to —°C	Storage temperature range.	—°C to —°C	
	_____	_____	_____	_____	
	_____	_____	_____	_____	
SPECIFICATIONS					
ITEM	TEST METHOD	REQUIREMENTS	QT	AT	
CONSTRUCTION					
General examination.	Visually and by measuring instrument.	According to drawing.	X	X	
Marking	Confirmed visually		X	X	
ENVIRONMENTAL CHARACTERISTICS					
Corrosion salt mist	Exposed in 5 % salt water spray for 48 h.	No heavy corrosion ruin the function.	X	—	
	COUNT	DESCRIPTION OF REVISIONS	DESIGNED	CHECKED	DATE
A					
REMARK			APPROVED	EJ.KUNII	15.09.29
			CHECKED	EJ.KUNII	15.09.29
			DESIGNED	TP.KOMATSU	15.09.29
			DRAWN	TP.KOMATSU	15.09.29
Unless otherwise specified, refer to IEC 60512.					
Note QT:Qualification Test AT:Assurance Test X:Applicable Test			DRAWING NO.		ELC-115792-00-00
<b>HRS</b>	SPECIFICATION SHEET		PART NO.	HR10A-7R-N	
	HIROSE ELECTRIC CO., LTD.		CODE NO.	CL110-0951-8-00	▲ 1/1



1	Brass	Nickel plating (100 pcs./bag)						
NO.	MATERIAL	FINISH . REMARKS	NO.	MATERIAL	FINISH . REMARKS			
UNITS mm		SCALE 4 : 1	COUNT 	DESCRIPTION OF REVISIONS		DESIGNED	CHECKED	DATE
<b>HIROSE ELECTRIC CO., LTD.</b>	APPROVED	:EJ. KUNII	15.09.29	DRAWING NO.	EDC-115792-00-00			
	CHECKED	:EJ. KUNII	15.09.29	PART NO.	HR10A-7R-N			
	DESIGNED	:TP. KOMATSU	15.09.29	CODE NO.	CL110-0951-8-00			
	DRAWN	:TP. KOMATSU	15.09.29		<span style="border: 1px solid black; padding: 2px;">1/1</span>			

## X-ON Electronics

Largest Supplier of Electrical and Electronic Components

*Click to view similar products for [Circular Push Pull Connectors](#) category:*

*Click to view products by [Hirose](#) manufacturer:*

Other Similar products are found below :

[6407-249V-11273P](#) [6408-201V-13273](#) [6408-202V-13343](#) [6408-202V-17343](#) [EZG.0B.309.CLN](#) [FFA.2S.310.ZLA](#) [FGA.1B.307.CYCD72Z](#)  
[FGJ.1B.304.CLLD76](#) [FGJ.1B.306.CWLD72](#) [FGJ.3B.304.CYMD10Z](#) [FGJ.3B.304.CYMD82Z](#) [PCS.01.250.DLLE24](#) [PHG.0K.305.CYMC40Z](#)  
[PHG.1K.308.CLLK85](#) [PKG.M0.6BL.LZ](#) [PLC.M1.0SL.LA](#) [GMA.10.290.DN](#) [GMA.3B.090.DA](#) [PRG.M0.6GL.LC52GZ](#) [PSA.1S.275.CTLC66](#)  
[ABF.1S.250.NTA](#) [133020F](#) [1331ER193MZ](#) [1332M107MZ](#) [DTS26Z19-32JA-LC](#) [DTS26Z19-32SA](#) [DTS26Z19-32SA-LC](#) [DTS26Z23-55HA](#)  
[DTS26Z23-55HA-LC](#) [DTS26Z23-55JA-LC](#) [EAJ.1B.306.CWA](#) [ECG.XB.312.CLL](#) [1589430-2](#) [EEA.0B.305.CLN](#) [EEA.0B.309.CLL](#)  
[ELF.00.250.NTL](#) [ERA.01.250.DLL](#) [BRD.0B.200.PCSG](#) [BRR.2S.200.PZVG](#) [HR10A-P](#) [CAH.M34.SLL.C72GZ](#) [CAJ.M34.SLL.C72GZ](#)  
[300500](#) [ESB.00.303.NLL](#) [EXG.0B.309.HLN](#) [FFB.1S.250.CLAC27](#) [FGA.2B.306.CYCD92](#) [FGA.2B.306.CYCD92Z](#) [FGA.XB.312.CLAD72](#)  
[FGJ.1B.302.CYMD62](#)