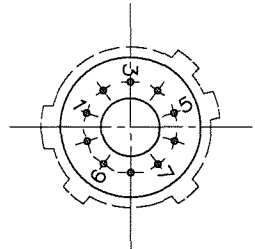
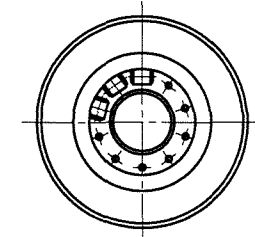
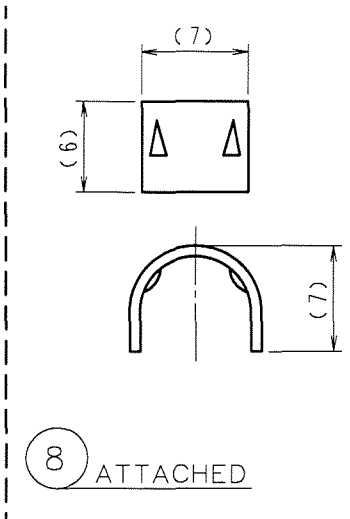
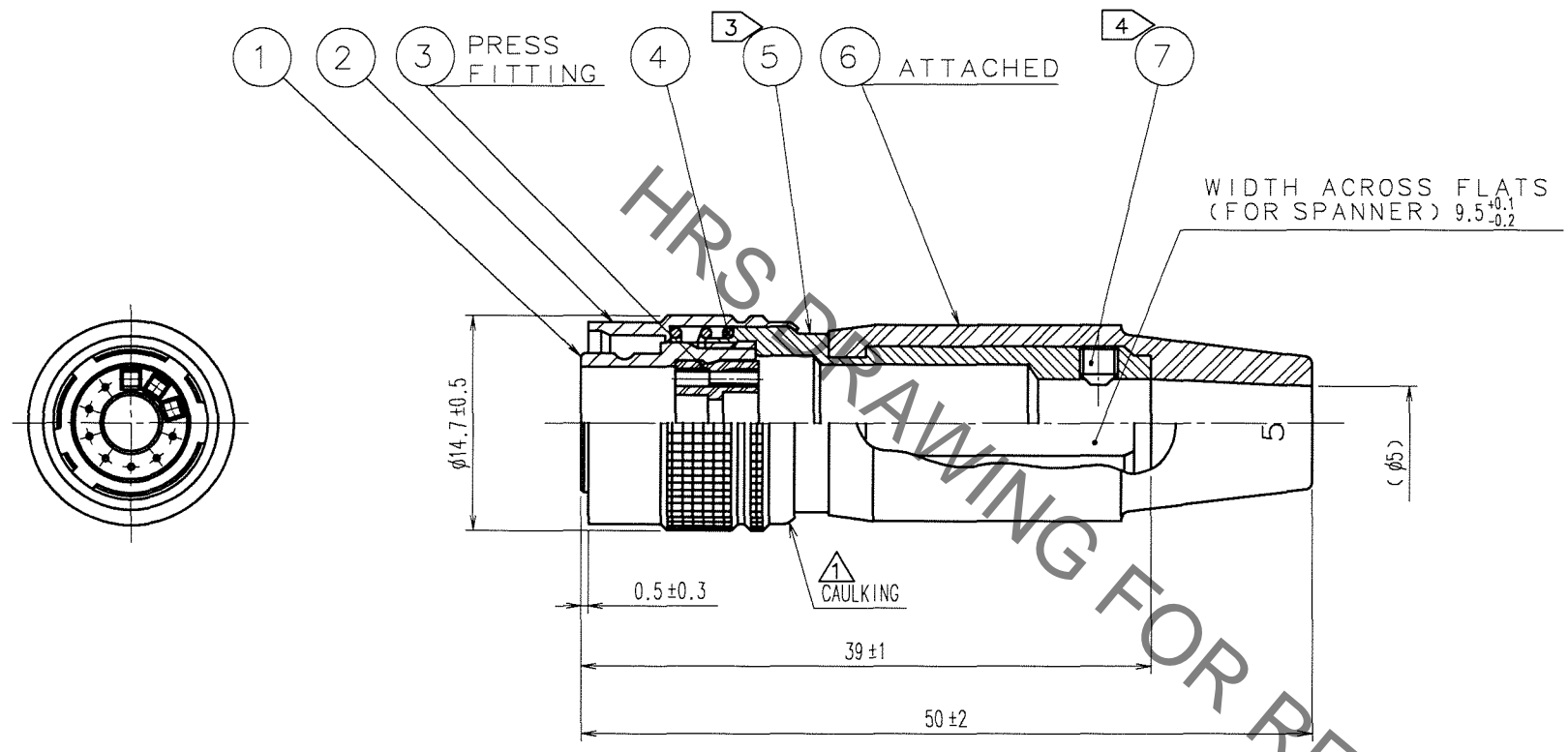


Jun.1.2019 Copyright 2019 HIROSE ELECTRIC CO., LTD. All Rights Reserved.
In case of consideration for using Automotive equipment / device which demand high reliability, kindly contact our sales window correspondents.

COUNT	DESCRIPTION OF REVISIONS	BY	CHKD	DATE	COUNT	DESCRIPTION OF REVISIONS	BY	CHKD	DATE
1	DIS-C-000409	D.M	M.S	06.12.19					



CONTACT NUMBERS
(CABLE ASSEMBLY SIDE)

NOTE: 1 APPLICABLE CRIMPING CONTACT:HR10-PC-212
(APPLICABLE:AWG NO.26~30,OUTER DIMENSION OF JACET:φ1 MAX)
APPLICABLE CONTACT EXTRACTION TOOL:RP6-SC-TP
APPLICABLE CONTACT CONNECTOR:HR10B-2.5CJ
COAXIAL CONNECTOR EXTRACTION TOOL:HR10B-TP
CLAMPING JIG:HR10A-TC-02

2 ROTATION EXAMPLES OF REF.NO.① AND NO.⑤ ARE SHOWN.

③ THE RECOMMENDE CLAMP TORQUE OF REF.NO.⑤ : 2 N·m

④ THE RECOMMENDE CLAMP TORQUE OF REF.NO.⑦ : 0.3 N·m

4	STEEL	NICKEL PLATING	8	BRASS	
3	PBT	(BLACK)UL94V-0	7	STEEL	NICKEL PLATING
2	BRASS	MATTE FINISH NICKEL PLATED	6	CR	(BLACK)
1	ZINC ALLOY	MATTE FINISH NICKEL PLATED	5	BRASS	NICKEL PLATING
NO.	MATERIAL	FINISH, REMARKS	NO.	MATERIAL	FINISH, REMARKS
CODE NO.(OLD)			DRAWN	DESIGNED	CHECKED
			T.KOMATSU	T.KOMATSU	E.KUNII
			'06.02 23	'06.02 23	'06.02 23
			APPROVED	RELEASED	
			M.SATO		
			'06.02 23		
DRAWING NO.		PART NO.			
EDC3-010993-73		HR10B-10P-10PC(73)			
SCALE		CODE NO.			
2 : 1		CL110-0901-0-73			
UNITS		HIROSE ELECTRIC CO.,LTD.			
mm					

TO
R

X-ON Electronics

Largest Supplier of Electrical and Electronic Components

Click to view similar products for [Circular Push Pull Connectors](#) category:

Click to view products by [Hirose](#) manufacturer:

Other Similar products are found below :

[6407-249V-11273P](#) [6408-201V-13273](#) [6408-202V-13343](#) [6408-202V-17343](#) [EZG.0B.309.CLN](#) [FFA.2S.310.ZLA](#) [FGA.1B.307.CYCD72Z](#)
[FGJ.1B.304.CLLD76](#) [FGJ.1B.306.CWLD72](#) [FGJ.3B.304.CYMD10Z](#) [FGJ.3B.304.CYMD82Z](#) [PCS.01.250.DLLE24](#) [PHG.0K.305.CYMC40Z](#)
[PHG.1K.308.CLLK85](#) [PKG.M0.6BL.LZ](#) [PLC.M1.0SL.LA](#) [GMA.10.290.DN](#) [GMA.3B.090.DA](#) [PRG.M0.6GL.LC52GZ](#) [PSA.1S.275.CTLC66](#)
[ABF.1S.250.NTA](#) [133020F](#) [1331ER193MZ](#) [1332M107MZ](#) [DTS26Z19-32JA-LC](#) [DTS26Z19-32SA](#) [DTS26Z19-32SA-LC](#) [DTS26Z23-55HA](#)
[DTS26Z23-55HA-LC](#) [DTS26Z23-55JA-LC](#) [EAJ.1B.306.CWA](#) [ECG.XB.312.CLL](#) [1589430-2](#) [EEA.0B.305.CLN](#) [EEA.0B.309.CLL](#)
[ELF.00.250.NTL](#) [ERA.01.250.DLL](#) [BRD.0B.200.PCSG](#) [BRR.2S.200.PZVG](#) [HR10A-P](#) [CAH.M34.SLL.C72GZ](#) [CAJ.M34.SLL.C72GZ](#)
[300500](#) [ESB.00.303.NLL](#) [EXG.0B.309.HLN](#) [FFB.1S.250.CLAC27](#) [FGA.2B.306.CYCD92](#) [FGA.2B.306.CYCD92Z](#) [FGA.XB.312.CLAD72](#)
[FGJ.1B.302.CYMD62](#)