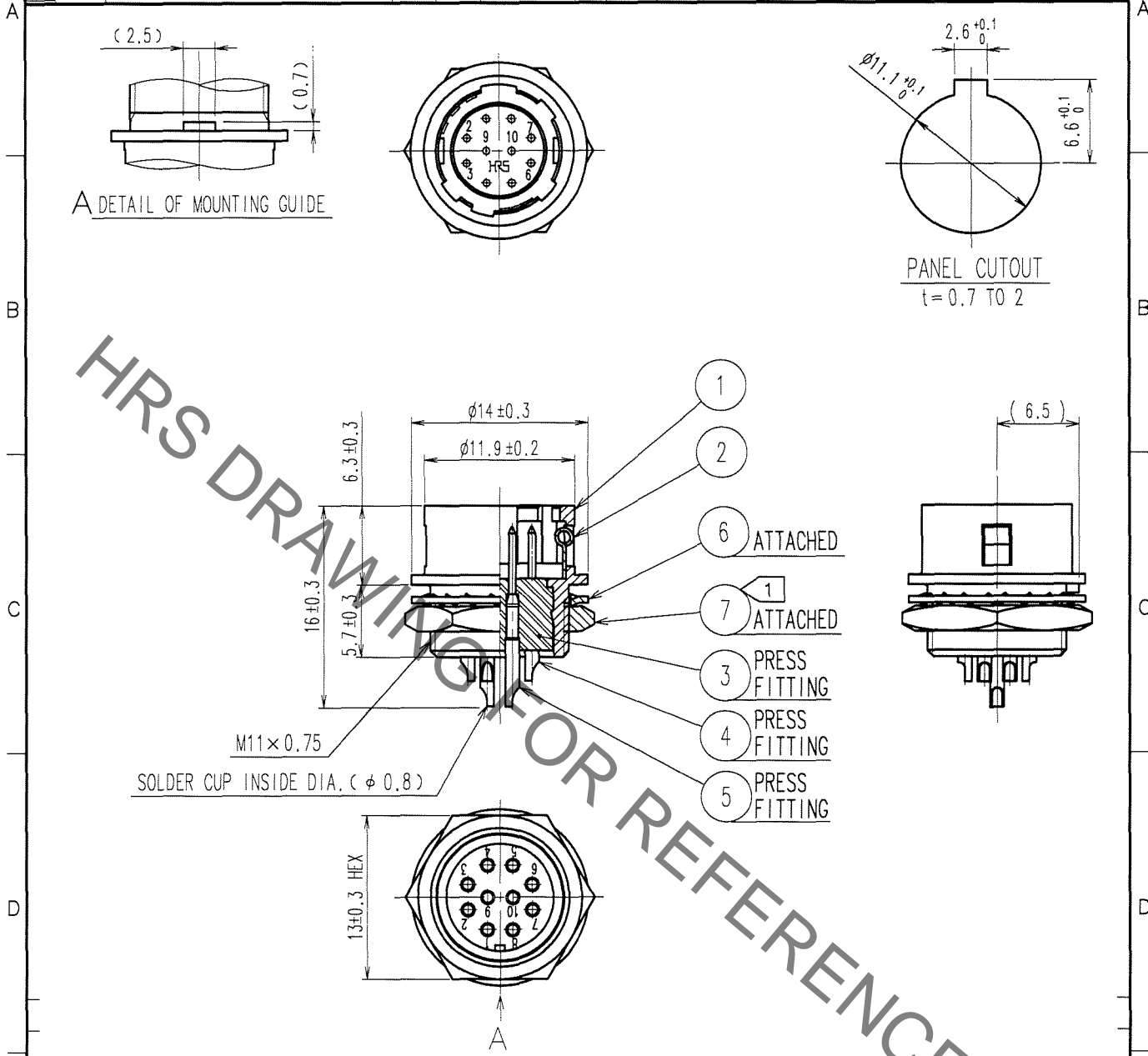


Aug.1.2021 Copyright 2021 HIROSE ELECTRIC CO., LTD. All Rights Reserved.
In case of consideration for using Automotive equipment / device which demand high reliability, kindly contact our sales window correspondents.

| COUNT | DESCRIPTION OF REVISIONS | BY | CHKD | DATE | COUNT | DESCRIPTION OF REVISIONS | BY | CHKD | DATE |
|-------|--------------------------|-----|------|----------|-------|--------------------------|----|------|------|
| 1 | DIS-C-000585 | T.K | E.K | 07.07.27 | | | | | |



NOTE ① THE RECOMMENDED CLAMP TORQUE, REF. NO. ⑦ : 2N · m.
LOCTITE 242, HENKEL JAPAN OR EQUIVALENT IS RECOMMENDED TO PREVENT REF. NO. ⑦ FOR LOOSENING.

| NO. | MATERIAL | FINISH, REMARKS | NO. | MATERIAL | FINISH, REMARKS |
|-----|-----------------|----------------------------|-----|-----------------|---|
| 3 | POLYAMIDE | (BLACK) UL94V-0 | 7 | BRASS | NICKEL PLATING |
| 2 | STAINLESS STEEL | | 6 | PHOSPHOR BRONZE | NICKEL PLATING |
| 1 | ZINC ALLOY | MATTE FINISH NICKEL PLATED | 5 | BRASS | OVER PLATING: GOLD 0.2μ m min. UNDER PLATING: NICKLE 2μ m min. |
| | | | 4 | BRASS | |

| CODE NO. (OLD) | DRAWN | DESIGNED | CHECKED | APPROVED | RELEASED |
|----------------|-----------|-----------|-----------|-----------|----------|
| CL | M.SATO | T.HORII | E.KUNII | M.SATO | |
| | '07 05 11 | '07 05 11 | '07 05 11 | '07 05 11 | |

| |
|----|
| TO |
| R |
| |
| |

| | | | |
|-----------------------------------|--|--|--------|
| SCALE 2 : 1 UNITS mm | DRAWING NO. EDC4-042711-74 HIROSE ELECTRIC CO., LTD. | PART NO. HR10G-10R-10P(74) CODE NO. CL110-1608-0-74 | 1 1 |
|-----------------------------------|--|--|--------|

X-ON Electronics

Largest Supplier of Electrical and Electronic Components

Click to view similar products for [Circular Push Pull Connectors](#) category:

Click to view products by [Hirose](#) manufacturer:

Other Similar products are found below :

[6407-249V-11273P](#) [6408-201V-13273](#) [6408-202V-13343](#) [6408-202V-17343](#) [EZG.0B.309.CLN](#) [FFA.2S.310.ZLA](#) [FGA.1B.307.CYCD72Z](#)
[FGJ.1B.304.CLLD76](#) [FGJ.1B.306.CWLD72](#) [FGJ.3B.304.CYMD10Z](#) [FGJ.3B.304.CYMD82Z](#) [PCS.01.250.DLLE24](#) [PHG.0K.305.CYMC40Z](#)
[PHG.1K.308.CLLK85](#) [PKG.M0.6BL.LZ](#) [PLC.M1.0SL.LA](#) [GMA.10.290.DN](#) [GMA.3B.090.DA](#) [PRG.M0.6GL.LC52GZ](#) [PSA.1S.275.CTLC66](#)
[ABF.1S.250.NTA](#) [133020F](#) [1331ER193MZ](#) [1332M107MZ](#) [DTS26Z19-32JA-LC](#) [DTS26Z19-32SA](#) [DTS26Z19-32SA-LC](#) [DTS26Z23-55HA](#)
[DTS26Z23-55HA-LC](#) [DTS26Z23-55JA-LC](#) [EAJ.1B.306.CWA](#) [ECG.XB.312.CLL](#) [1589430-2](#) [EEA.0B.305.CLN](#) [EEA.0B.309.CLL](#)
[ELF.00.250.NTL](#) [ERA.01.250.DLL](#) [BRD.0B.200.PCSG](#) [BRR.2S.200.PZVG](#) [HR10A-P](#) [CAH.M34.SLL.C72GZ](#) [CAJ.M34.SLL.C72GZ](#)
[300500](#) [ESB.00.303.NLL](#) [EXG.0B.309.HLN](#) [FFB.1S.250.CLAC27](#) [FGA.2B.306.CYCD92](#) [FGA.2B.306.CYCD92Z](#) [FGA.XB.312.CLAD72](#)
[FGJ.1B.302.CYMD62](#)