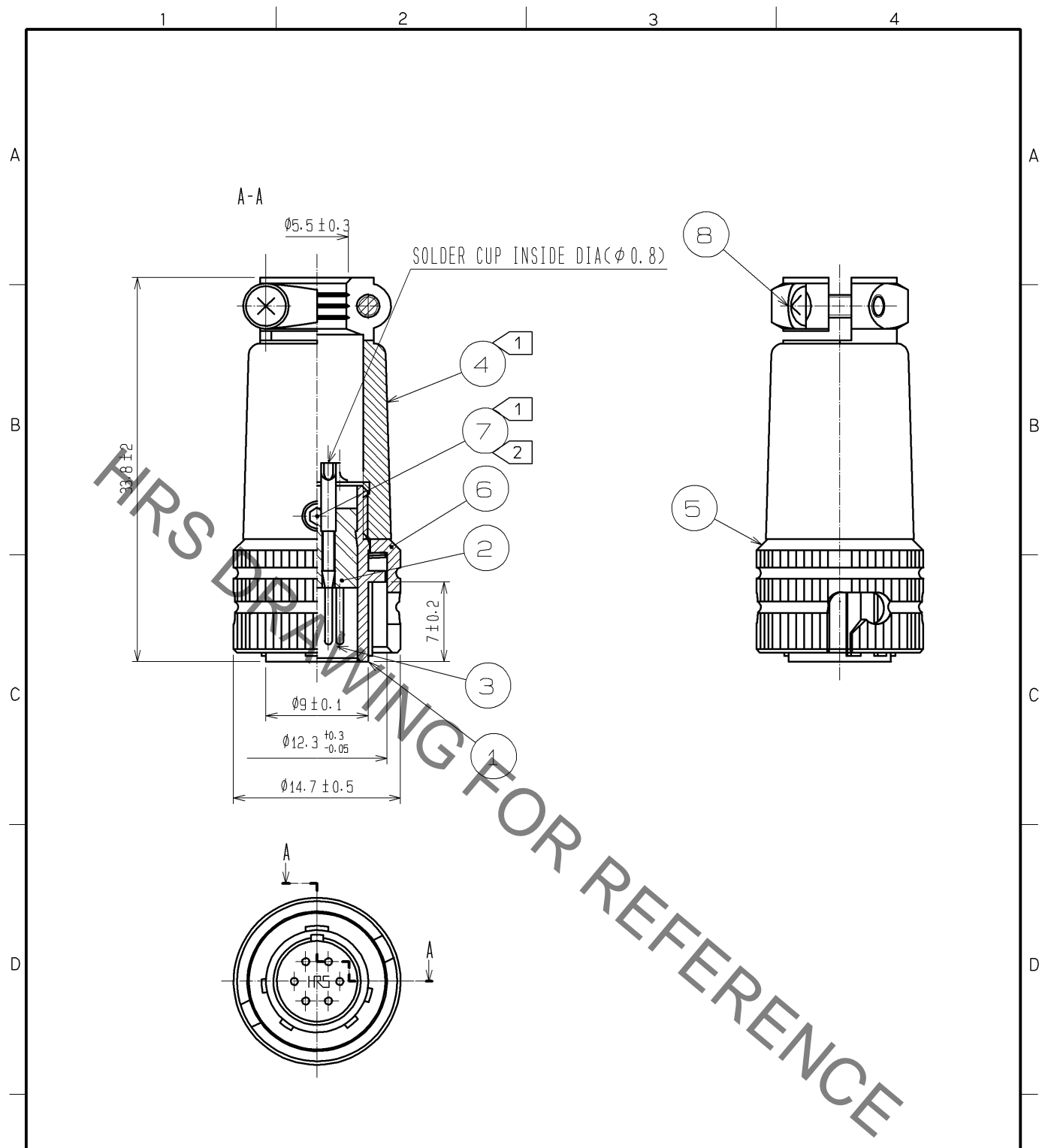


Jun.1.2021 Copyright 2021 HIROSE ELECTRIC CO., LTD. All Rights Reserved.
 In case of consideration for using Automotive equipment / device which demand high reliability, kindly contact our sales window correspondents.



NOTES

- ① ONE EXAMPLE OF THE ROTATION OF REF. NO. ①, ④ TO REF. NO. ⑦ IS SHOWN.
- ② ACROSS FLATS OF HEXAGON HOLE OF REF. NO. ⑦ : 1.27
 LOCTITE 242, HENKEL JAPAN OR EQUIVALENT IS RECOMMENDED
 TO PREVENT REF. NO. ⑦ FOR LOOSENING.

4	BRASS	NICKEL PLATING	8	BRASS	NICKEL PLATING M2×0.4
3	BRASS	SILVER PLATING 3 μm min.	7	STEEL	NICKEL PLATING M2.6×0.45
2	POLYAMIDE	(BLACK) UL94V-0	6	STEEL	NICKEL PLATING
1	ZINC ALLOY	NICKEL PLATING	5	BRASS	NICKEL PLATING
NO.	MATERIAL	FINISH . REMARKS	NO.	MATERIAL	FINISH . REMARKS

UNITS mm		SCALE 2 : 1	COUNT 	DESCRIPTION OF REVISIONS	DESIGNED	CHECKED	DATE
HIROSE ELECTRIC CO., LTD.		APPROVED : MO. SATOH	08. 03. 24	DRAWING NO.	EDC4-008475-73		
		CHECKED : HY. KOBAYASHI	08. 03. 24	PART NO.	HR11-9BP-6P(73)		
		DESIGNED : DS. MATSUNE	08. 03. 24	CODE NO.	CL111-0001-5-73		
		DRAWN : HN. TANAKA	08. 03. 24		1/1		

X-ON Electronics

Largest Supplier of Electrical and Electronic Components

Click to view similar products for [Standard Circular Connector](#) category:

Click to view products by [Hirose](#) manufacturer:

Other Similar products are found below :

[5M2530B10P](#) [600259N006](#) [600273N007](#) [6134-336-13149](#) [6134-337-11149](#) [6134-337-2390](#) [6134-341-17149](#) [6280-4SG-516](#) [6280-7SG-3DC](#)
[6290](#) [6291A](#) [66200A-10](#) [680-SMG](#) [681-PMG](#) [CXS3102A14S2P](#) [CXS3102A181S](#) [7251-6SG-300](#) [7271-6SG-300](#) [7282-3PG-300-CH3](#) [75-](#)
[474014-05S](#) [75-474618-01S](#) [75-474618-04P](#) [75-474618-04S](#) [799539-000](#) [MI8-SE](#) [805-005-07NF11-19PC](#) [805-005-07NF15-7PA](#) [8280-4PG-](#)
[516](#) [8280-7PG-519](#) [8282-5PG-519](#) [836783-1](#) [MP-4102-25P-C](#) [862256-1](#) [864019-2](#) [866857-1](#) [867865-1](#) [PT01SP-14-18P](#) [PT08P-14-5S](#) [120-](#)
[1833-000](#) [QCM019PC2DC012B](#) [1-2069279-1](#) [121583-0217](#) [121667-0020](#) [129591AU](#) [1000B BULK](#) [RD10A16-19-P6CS051/1](#) [RD10A20-31-](#)
[P8CS051/1](#) [RD16A14-12-S6CS051/2](#) [1301240290](#) [1301240347](#) [1301860202](#)