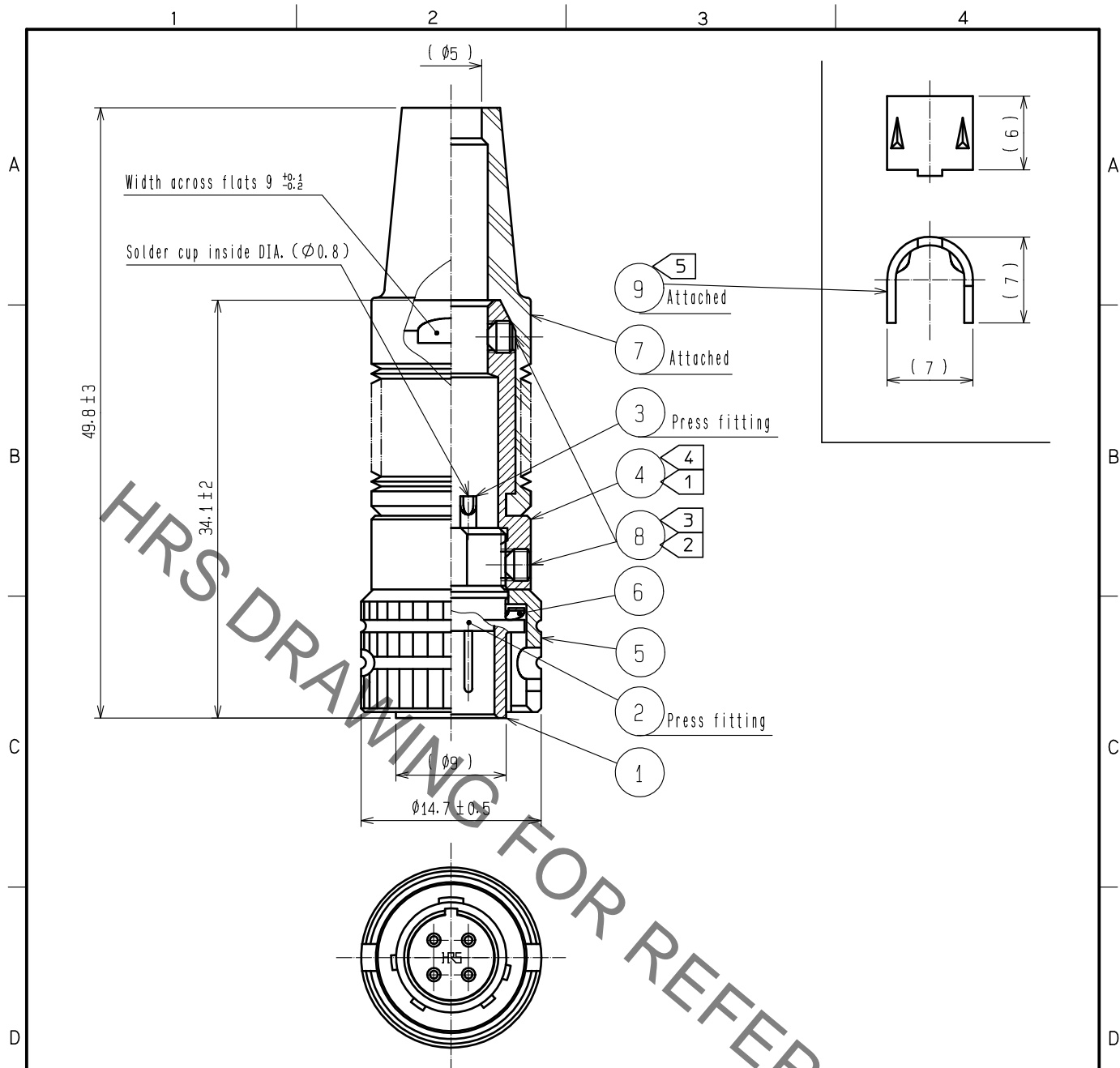


Jun.1.2021 Copyright 2021 HIROSE ELECTRIC CO., LTD. All Rights Reserved.
 In case of consideration for using Automotive equipment / device which demand high reliability, kindly contact our sales window correspondents.



- Notes
- ① The recommended tightening torque of REF. NO. ④ : 1.5N · m.
 - ② The recommended tightening torque of REF. NO. ⑧ : 0.3 to 0.4N · m.
Loctite 243 Henkel Japan or equivalent is recommended to prevent REF. NO. ⑧ from loosening.
 - ③ Across flats of hexagon hole of REF. NO. ⑧ : 1.27.
 - ④ One example of the rotation of REF. NO. ① and ④ is shown.
 - ⑤ Applicable crimping tool of REF. NO. ⑨ : HR10A-TC-02 (CL150-0041-2)
The hole diameter for crimping: $\phi 5.3$
 - 6 The cable pull and twisting strength and other characteristics may differ, depending on the cable structure, please confirm before the use.

5	Brass	Matte finish nickel plated			
4	Brass	Matte finish nickel plated	9	Brass	
3	Brass	Silver plating 3 μ m min.	8	Steel	Nickel plating M2.6 \times 0.45
2	Polyamide	(Black) UL94V-0	7	Chloroprene rubber	(Black)
1	Zinc alloy	Matte finish nickel plated	6	Steel	Nickel plating
NO.	MATERIAL	FINISH . REMARKS	NO.	MATERIAL	FINISH . REMARKS

UNITS mm	SCALE 2 : 1	COUNT	DESCRIPTION OF REVISIONS	DESIGNED	CHECKED	DATE
HIROSE ELECTRIC CO., LTD.	APPROVED	:EJ. KUNII	16.03.23	DRAWING NO.	EDC-021288-73-00	
	CHECKED	:EJ. KUNII	16.03.23	PART NO.	HR11-9BPB-4P<73>	
	DESIGNED	:TP. KOMATSU	16.03.23	CODE NO.	CL111-0101-0-73	
	DRAWN	:TP. KOMATSU	16.03.23			

X-ON Electronics

Largest Supplier of Electrical and Electronic Components

Click to view similar products for [Standard Circular Connector](#) category:

Click to view products by [Hirose](#) manufacturer:

Other Similar products are found below :

[5M2530B10P](#) [600259N006](#) [600273N007](#) [6134-336-13149](#) [6134-337-11149](#) [6134-337-2390](#) [6134-341-17149](#) [6280-4SG-516](#) [6280-7SG-3DC](#)
[6290](#) [6291A](#) [66200A-10](#) [680-SMG](#) [681-PMG](#) [CXS3102A14S2P](#) [CXS3102A181S](#) [7251-6SG-300](#) [7271-6SG-300](#) [7282-3PG-300-CH3](#) [75-](#)
[474014-05S](#) [75-474618-01S](#) [75-474618-04S](#) [799539-000](#) [MI8-SE](#) [805-005-07NF11-19PC](#) [805-005-07NF15-7PA](#) [8280-4PG-516](#) [8280-7PG-](#)
[519](#) [8282-5PG-519](#) [836783-1](#) [MP-4102-25P-C](#) [862256-1](#) [864019-2](#) [866857-1](#) [867865-1](#) [PT01SP-14-18P](#) [PT08P-14-5S](#) [PTSF06SE-14-12S](#)
[120-1833-000](#) [QCM019PC2DC012B](#) [1-2069279-1](#) [121583-0217](#) [121667-0020](#) [129591AU](#) [1000B BULK](#) [RD10A16-19-P6CS051/1](#)
[RD10A20-31-P8CS051/1](#) [RD16A14-12-S6CS051/2](#) [1301240290](#) [1301240347](#) [1301860202](#)