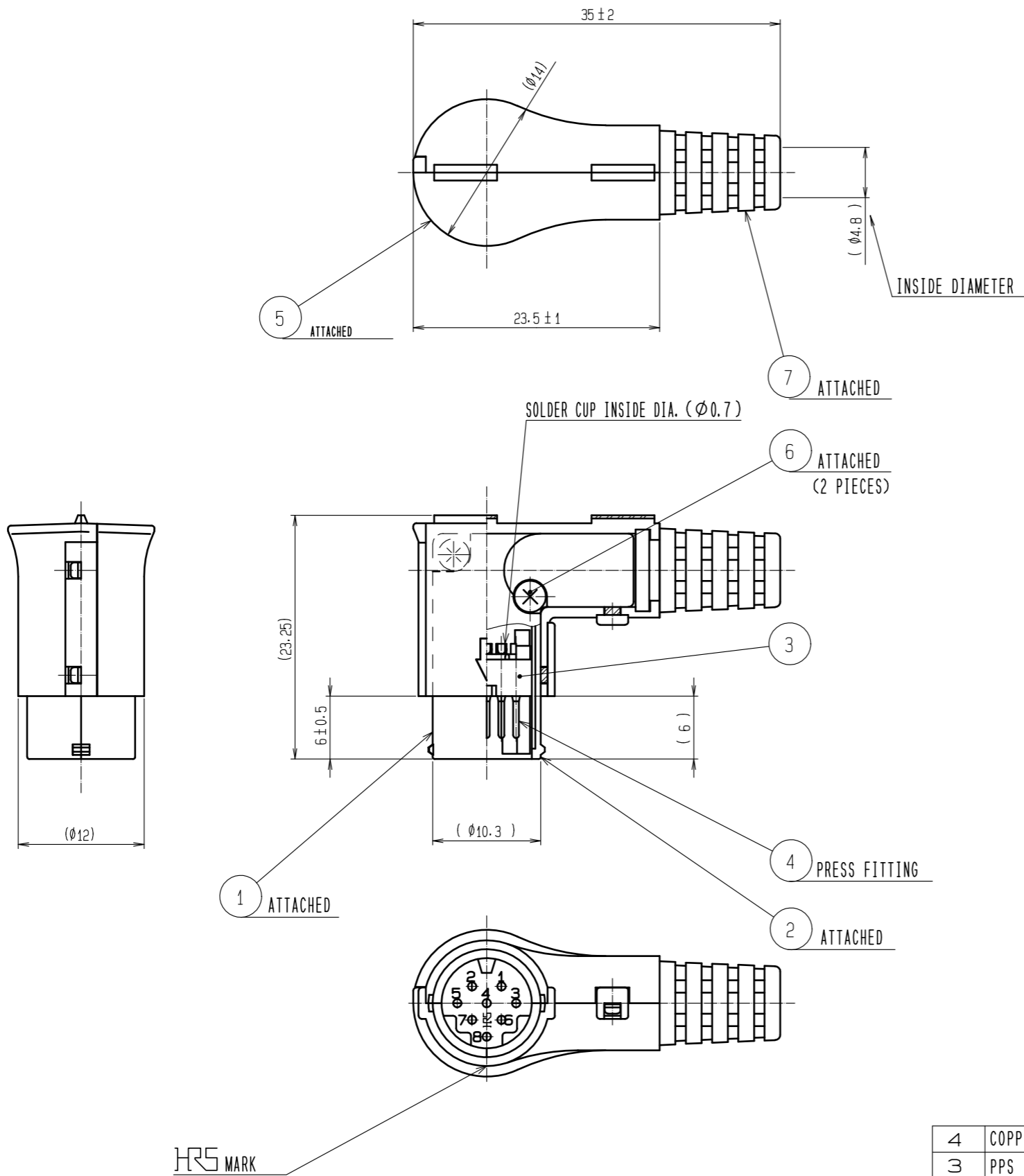


2021/02/27 00:42:25(JST) Carole Austin
 RoHS2(10 substances conformity)
 DRAWING FOR REFERENCE: This is subject to change without notice
 In cases where the application will demand a high level of reliability, such as automotive, please contact a company representative for further information.



NOTES 1 THE CABLE PULL AND TWISTING STRENGTH AND OTHER CHARACTERISTICS MAY DIFFER, DEPENDING ON THE CABLE STRUCTURE. PLEASE CONFIRM BEFORE THE USE.
 2 SURFACE PLATING : TIN-PLATING $1\mu\text{m}$ min.
 UNDER PLATING : NICKEL PLATING $1\mu\text{m}$ min.

NO.	MATERIAL	FINISH . REMARKS	NO.	MATERIAL	FINISH . REMARKS
4	COPPER ALLOY	2			
3	PPS	(BLACK) UL94V-0	7	POLYVINYLCHLORIDE	(BLACK) UL94V-0
2	ZINC ALLOY	NICKEL PLATING	6	STEEL	NICKEL PLATING TAPPING SCREW M2X4
1	ZINC ALLOY	NICKEL PLATING	5	POLYPROPYLENE	(BLACK) UL94V-0

UNITS	SCALE	COUNT	DESCRIPTION OF REVISIONS	DESIGNED	CHECKED	DATE
mm	2 : 1	1				
HRS HIROSE ELECTRIC CO., LTD.			APPROVED : TP. KOMATSU 20201121 CHECKED : HY. KOBAYASHI 20201119 DESIGNED : TY. SUZUKI 20201119 DRAWN : TY. SUZUKI 20201119	DRAWING NO. EDC-043311-41-00 PART NO. HR212-10LP-8P(41) CODE NO. CL0112-4002-6-41		

X-ON Electronics

Largest Supplier of Electrical and Electronic Components

Click to view similar products for [Standard Circular Connector](#) category:

Click to view products by [Hirose](#) manufacturer:

Other Similar products are found below :

[5M2530B10P](#) [600259N006](#) [600273N007](#) [6134-336-13149](#) [6134-337-11149](#) [6134-337-2390](#) [6134-341-17149](#) [6280-4SG-516](#) [6280-7SG-3DC6290](#) [6291A](#) [66200A-10](#) [680-SMG](#) [CXS3102A14S2P](#) [CXS3102A181S](#) [7251-5SG-300](#) [7271-6SG-300](#) [7282-3PG-300-CH3](#) [75-474014-05S](#) [75-474618-01S](#) [75-474618-04P](#) [75-474618-04S](#) [799539-000](#) [MI8-SE](#) [805-005-07NF11-19PC](#) [805-005-07NF15-7PA](#) [8280-4PG-516](#) [8280-7PG-519](#) [8282-5PG-519](#) [836783-1](#) [MP-4102-25P-C](#) [862256-1](#) [864019-2](#) [866857-1](#) [867865-1](#) [PT01SP-14-18P](#) [PT08P-14-5S](#) [120-1833-000](#) [QCM019PC2DC012B](#) [1-2069279-1](#) [121583-0217](#) [121667-0020](#) [129591AU](#) [1000B BULK](#) [RD10A16-19-P6CS051/1](#) [RD10A20-31-P8CS051/1](#) [1301240290](#) [1301240347](#) [1301860202](#) [1301240268](#) [1301240275](#)