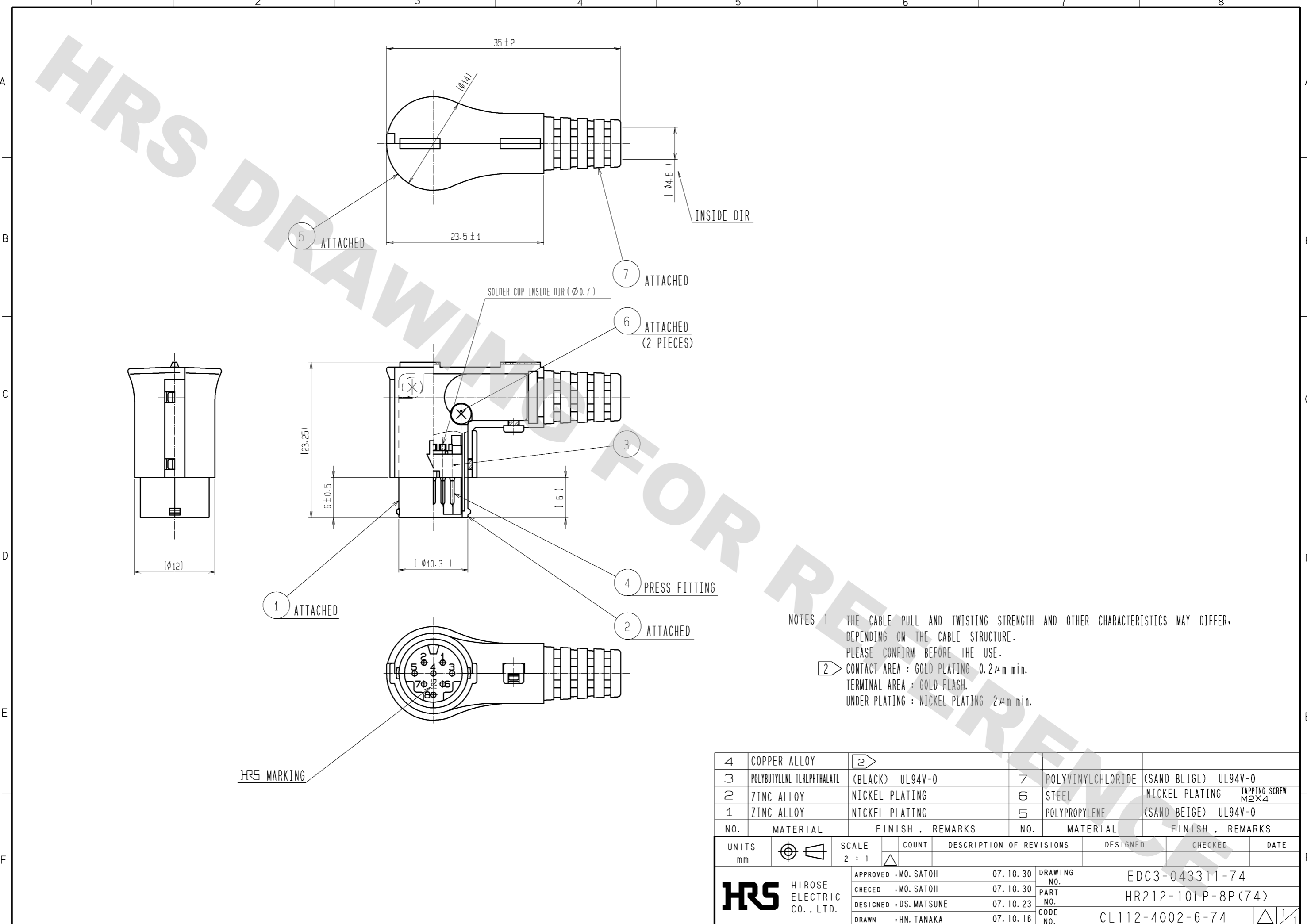


DRAWING FOR REFERENCE: This is subject to change without notice
08/11/2012



NOTES 1 THE CABLE PULL AND TWISTING STRENGTH AND OTHER CHARACTERISTICS MAY DIFFER, DEPENDING ON THE CABLE STRUCTURE. PLEASE CONFIRM BEFORE THE USE.
2 CONTACT AREA : GOLD PLATING 0.2 μm min. TERMINAL AREA : GOLD FLASH. UNDER PLATING : NICKEL PLATING 2 μm min.

NO.	MATERIAL	FINISH	REMARKS	NO.	MATERIAL	FINISH	REMARKS
4	COPPER ALLOY			2			
3	POLYBUTYLENE TEREPHTHALATE	(BLACK)	UL94V-0	7	POLYVINYLCHLORIDE	(SAND BEIGE)	UL94V-0
2	ZINC ALLOY	NICKEL PLATING		6	STEEL	NICKEL PLATING	TAPPING SCREW M2X4
1	ZINC ALLOY	NICKEL PLATING		5	POLYPROPYLENE	(SAND BEIGE)	UL94V-0

UNITS	SCALE	COUNT	DESCRIPTION OF REVISIONS	DESIGNED	CHECKED	DATE
mm	2 : 1	△				
APPROVED : MO. SATOH			07. 10. 30	DRAWING NO. EDC3-043311-74		
CHECKED : MO. SATOH			07. 10. 30	PART NO. HR212-10LP-8P(74)		
DESIGNED : DS. MATSUNE			07. 10. 23	CODE NO. CL112-4002-6-74		
DRAWN : HN. TANAKA			07. 10. 16			

X-ON Electronics

Largest Supplier of Electrical and Electronic Components

Click to view similar products for [Standard Circular Connector](#) category:

Click to view products by [Hirose](#) manufacturer:

Other Similar products are found below :

[5M2530B10P](#) [600259N006](#) [600273N007](#) [6134-336-13149](#) [6134-337-11149](#) [6134-337-2390](#) [6134-341-17149](#) [6280-4SG-516](#) [6280-7SG-3DC](#)
[6290](#) [6291A](#) [66200A-10](#) [680-SMG](#) [681-PMG](#) [CXS3102A14S2P](#) [CXS3102A181S](#) [7251-6SG-300](#) [7271-6SG-300](#) [7282-3PG-300-CH3](#) [75-](#)
[474014-05S](#) [75-474618-01S](#) [75-474618-04S](#) [799539-000](#) [MI8-SE](#) [805-005-07NF11-19PC](#) [805-005-07NF15-7PA](#) [8280-4PG-516](#) [8280-7PG-](#)
[519](#) [8282-5PG-519](#) [836783-1](#) [MP-4102-25P-C](#) [862256-1](#) [864019-2](#) [866857-1](#) [867865-1](#) [PT01SP-14-18P](#) [PT08P-14-5S](#) [PTSF06SE-14-12S](#)
[120-1833-000](#) [QCM019PC2DC012B](#) [1-2069279-1](#) [121583-0217](#) [121667-0020](#) [129591AU](#) [1000B BULK](#) [RD10A16-19-P6CS051/1](#)
[RD10A20-31-P8CS051/1](#) [RD16A14-12-S6CS051/2](#) [1301240290](#) [1301240347](#) [1301860202](#)