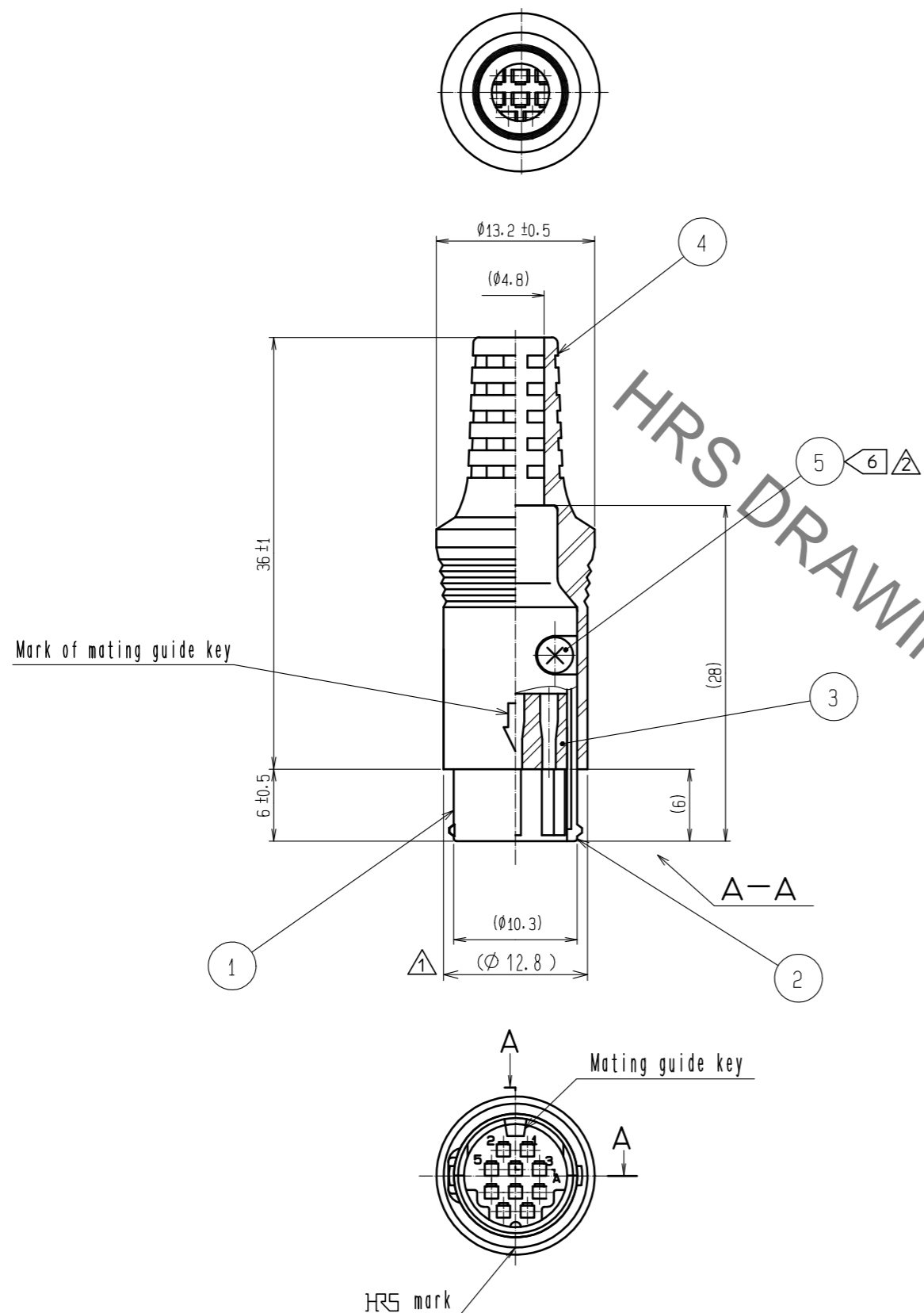


Sep.1.2021 Copyright 2021 HIROSE ELECTRIC CO., LTD. All Rights Reserved.
In case of consideration for using Automotive equipment / device which demand high reliability, kindly contact our sales window correspondents.



- Notes)
1. This product disassembled when delivered.
 2. Assembly of product to be as figure shown.
 3. Applicable crimp contact : HR10-PC-113(71), applicable wire : AWG#26~#30.
 4. Applicable clamping jig : RP6-SC-TP.
 5. The cable clamping power and the turning force, etc. are different according to the structure of the cable, and use it, please after it confirms it beforehand.
 6. The recommended tightening torque, Ref. No. ⑤ : 0.17 to 0.2 N·m.

3	PBT	(Black) UL94V-0						
2	Zink alloy	Nickel plating	5	Steel	Nickel plating	Tapping screw M2x4		
1	Zink alloy	Nickel plating	4	PVC	(Black) UL94V-0			
NO.	MATERIAL	FINISH . REMARKS	NO.	MATERIAL	FINISH . REMARKS			
UNITS mm		SCALE 2 : 1	COUNT 2	DESCRIPTION OF REVISIONS DIS-C-00003618		DESIGNED TH. KAMEYA	CHECKED HY. KOBAYASHI	DATE 20191105
HRS HIROSE ELECTRIC CO., LTD.		APPROVED : TM. AKIYAMA	20051201	DRAWING NO. EDC-047184-71-71				
		CHECKED : TM. AKIYAMA	20051201	PART NO. HR212-10P-10PC(71)				
		DESIGNED : HS. KAWASHIMA	20051119	CODE NO. CL112-4052-4-71				
		DRAWN : HS. KAWASHIMA	20051119			② 1/1		

X-ON Electronics

Largest Supplier of Electrical and Electronic Components

Click to view similar products for [Standard Circular Connector](#) category:

Click to view products by [Hirose](#) manufacturer:

Other Similar products are found below :

[5M2530B10P](#) [600259N006](#) [600273N007](#) [6134-336-13149](#) [6134-337-11149](#) [6134-337-2390](#) [6134-341-17149](#) [6280-4SG-516](#) [6280-7SG-3DC](#)
[6290](#) [6291A](#) [66200A-10](#) [680-SMG](#) [681-PMG](#) [CXS3102A14S2P](#) [CXS3102A181S](#) [7251-6SG-300](#) [7271-6SG-300](#) [7282-3PG-300-CH3](#) [75-](#)
[474014-05S](#) [75-474618-01S](#) [75-474618-04S](#) [799539-000](#) [MI8-SE](#) [805-005-07NF11-19PC](#) [805-005-07NF15-7PA](#) [8280-4PG-516](#) [8280-7PG-](#)
[519](#) [8282-5PG-519](#) [836783-1](#) [MP-4102-25P-C](#) [862256-1](#) [864019-2](#) [866857-1](#) [867865-1](#) [PT01SP-14-18P](#) [PT08P-14-5S](#) [PTSF06SE-14-12S](#)
[120-1833-000](#) [QCM019PC2DC012B](#) [1-2069279-1](#) [121583-0217](#) [121667-0020](#) [129591AU](#) [1000B BULK](#) [RD10A16-19-P6CS051/1](#)
[RD10A20-31-P8CS051/1](#) [RD16A14-12-S6CS051/2](#) [1301240290](#) [1301240347](#) [1301860202](#)