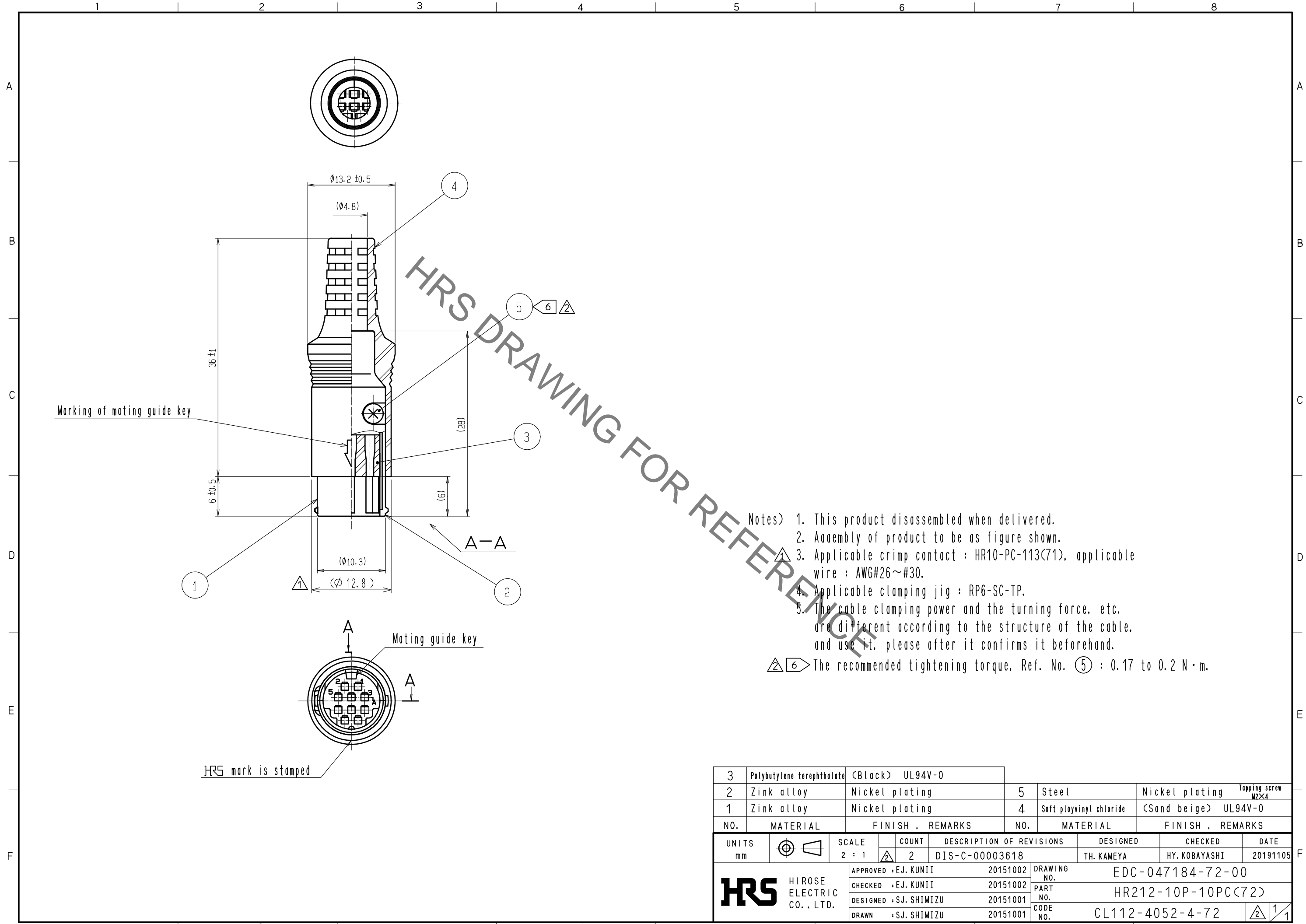


Sep.1.2021 Copyright 2021 HIROSE ELECTRIC CO., LTD. All Rights Reserved.
In case of consideration for using Automotive equipment / device which demand high reliability, kindly contact our sales window correspondents.



- Notes)
1. This product disassembled when delivered.
 2. Assembly of product to be as figure shown.
 3. Applicable crimp contact : HR10-PC-113(71), applicable wire : AWG#26~#30.
 4. Applicable clamping jig : RP6-SC-TP.
 5. The cable clamping power and the turning force, etc. are different according to the structure of the cable, and use it, please after it confirms it beforehand.
- ⚠️ 6 The recommended tightening torque, Ref. No. ⑤ : 0.17 to 0.2 N·m.

3	Polybutylene terephthalate	(Black)	UL94V-0						
2	Zink alloy	Nickel plating		5	Steel	Nickel plating	Tapping screw	M2×4	
1	Zink alloy	Nickel plating		4	Soft ployvinyl chloride	(Sand beige)	UL94V-0		
NO.	MATERIAL	FINISH	REMARKS	NO.	MATERIAL	FINISH	REMARKS		
UNITS	mm	SCALE	2 : 1	COUNT	2	DESCRIPTION OF REVISIONS	DESIGNED	CHECKED	DATE
						DIS-C-00003618	TH. KAMEYA	HY. KOBAYASHI	20191105
HIROSE ELECTRIC CO., LTD.				APPROVED	:EJ. KUNII	20151002	DRAWING NO. EDC-047184-72-00		
				CHECKED	:EJ. KUNII	20151002	PART NO. HR212-10P-10PC(72)		
				DESIGNED	:S.J. SHIMIZU	20151001	CODE NO. CL112-4052-4-72		
				DRAWN	:S.J. SHIMIZU	20151001	1/1		

X-ON Electronics

Largest Supplier of Electrical and Electronic Components

Click to view similar products for [Standard Circular Connector](#) category:

Click to view products by [Hirose](#) manufacturer:

Other Similar products are found below :

[5M2530B10P](#) [600259N006](#) [600273N007](#) [6134-336-13149](#) [6134-337-11149](#) [6134-337-2390](#) [6134-341-17149](#) [6280-4SG-516](#) [6280-7SG-3DC](#)
[6290](#) [6291A](#) [66200A-10](#) [680-SMG](#) [681-PMG](#) [CXS3102A14S2P](#) [CXS3102A181S](#) [7251-6SG-300](#) [7271-6SG-300](#) [7282-3PG-300-CH3](#) [75-](#)
[474014-05S](#) [75-474618-01S](#) [75-474618-04P](#) [75-474618-04S](#) [799539-000](#) [MI8-SE](#) [805-005-07NF11-19PC](#) [805-005-07NF15-7PA](#) [8280-4PG-](#)
[516](#) [8280-7PG-519](#) [8282-5PG-519](#) [836783-1](#) [MP-4102-25P-C](#) [862256-1](#) [864019-2](#) [866857-1](#) [867865-1](#) [PT01SP-14-18P](#) [PT08P-14-5S](#)
[PTSF06SE-14-12S](#) [120-1833-000](#) [QCM019PC2DC012B](#) [1-2069279-1](#) [121583-0217](#) [121667-0020](#) [129591AU](#) [1000B BULK](#) [RD10A16-19-](#)
[P6CS051/1](#) [RD10A20-31-P8CS051/1](#) [RD16A14-12-S6CS051/2](#) [1301240290](#) [1301240347](#)