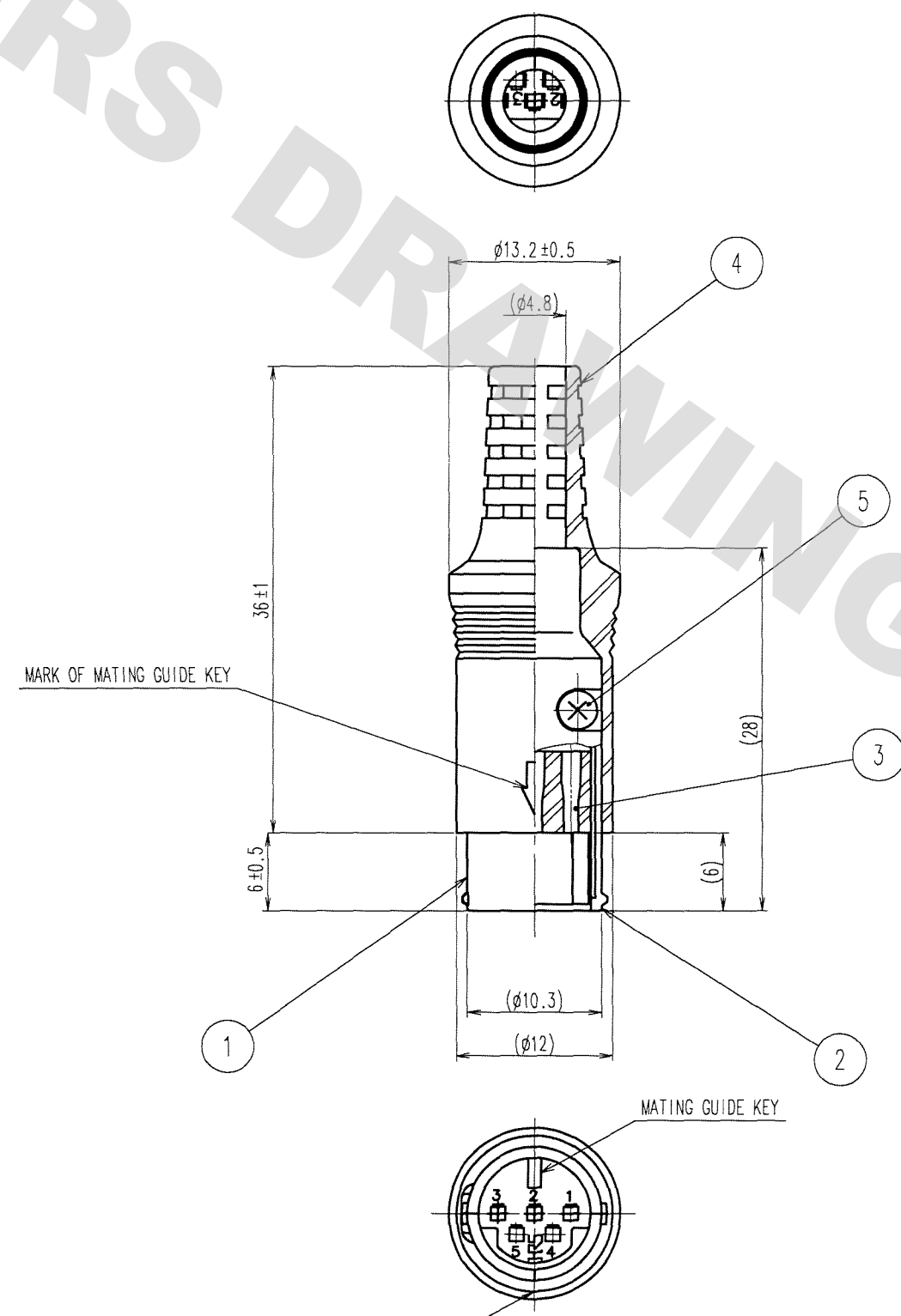


DRAWING FOR REFERENCE: This is subject to change without notice  
08/11/2012

|    |
|----|
| TO |
| R  |
|    |
|    |

| COUNT | DESCRIPTION OF REVISIONS | BY | CHKD | DATE | COUNT | DESCRIPTION OF REVISIONS | BY | CHKD | DATE |
|-------|--------------------------|----|------|------|-------|--------------------------|----|------|------|
| △     |                          |    |      | ..   | △     |                          |    |      | ..   |
| △     |                          |    |      | ..   | △     |                          |    |      | ..   |
| △     |                          |    |      | ..   | △     |                          |    |      | ..   |



- NOTE 1 THIS PRODUCT DISASSEMBLED WHEN DELIVERED.  
 2 ASSEMBLING SHOULD BE DONE AS PER DRAWING.  
 3 APPLICABLE CRIMP CONTACT : HR10-PC-113(71)  
 (APPLICABLE WIRE : AWG#26~#30)  
 4 EXTRACTION TOOL : RP6-SC-TP

| 3                             | PBT        | (BLACK) UL94V-0                      |   |  |  |                |
|-------------------------------|------------|--------------------------------------|---|--|--|----------------|
| 2                             | ZINC ALLOY | NICKEL PLATING                       | 5                                       | STEEL                                  | NICKEL PLATING TAPPING SCREW M2×4      |                |
| 1                             | ZINC ALLOY | NICKEL PLATING                       | 4                                       | POLYVINYLCHLORIDE                      | (BLACK) UL94V-0                        |                |
| NO.                           | MATERIAL   | FINISH, REMARKS                      | NO.                                     | MATERIAL                               | FINISH, REMARKS                        |                |
| CODE NO. (OLD)<br>CL          |            | DRAWN<br><i>S. Horii</i><br>06.07.10 | DESIGNED<br><i>S. Horii</i><br>06.07.10 | CHECKED<br><i>E. Horii</i><br>06.07.10 | APPROVED<br><i>M. Sato</i><br>06.07.12 | RELEASED<br>.. |
| DRAWING NO.<br>EDC3-044661-71 |            | PART NO.<br>HR212-10P-5PC(71)        |   |  |  |                |
| SCALE<br>2 : 1                |            | UNITS<br>mm                          |   | CODE NO.<br>CL112-4050-9-71            |  |                |
| HRS                           |            | HIROSE ELECTRIC CO., LTD             |   |  |  |                |

## X-ON Electronics

Largest Supplier of Electrical and Electronic Components

*Click to view similar products for [Standard Circular Connector](#) category:*

*Click to view products by [Hirose](#) manufacturer:*

Other Similar products are found below :

[5M2530B10P](#) [600259N006](#) [600273N007](#) [6134-336-13149](#) [6134-337-11149](#) [6134-337-2390](#) [6134-341-17149](#) [6280-4SG-516](#) [6280-7SG-3DC6290](#) [6291A](#) [66200A-10](#) [680-SMG](#) [681-PMG](#) [CXS3102A14S2P](#) [CXS3102A181S](#) [7251-6SG-300](#) [7271-6SG-300](#) [7282-3PG-300-CH3](#) [75-474014-05S](#) [75-474618-01S](#) [75-474618-04S](#) [799539-000](#) [MI8-SE](#) [805-005-07NF11-19PC](#) [805-005-07NF15-7PA](#) [8280-4PG-516](#) [8280-7PG-519](#) [8282-5PG-519](#) [836783-1](#) [MP-4102-25P-C](#) [862256-1](#) [864019-2](#) [866857-1](#) [867865-1](#) [PT01SP-14-18P](#) [PT08P-14-5S](#) [PTSF06SE-14-12S120-1833-000](#) [QCM019PC2DC012B](#) [1-2069279-1](#) [121583-0217](#) [121667-0020](#) [129591AU](#) [1000B BULK](#) [RD10A16-19-P6CS051/1](#)  
[RD10A20-31-P8CS051/1](#) [RD16A14-12-S6CS051/2](#) [1301240290](#) [1301240347](#) [1301860202](#)