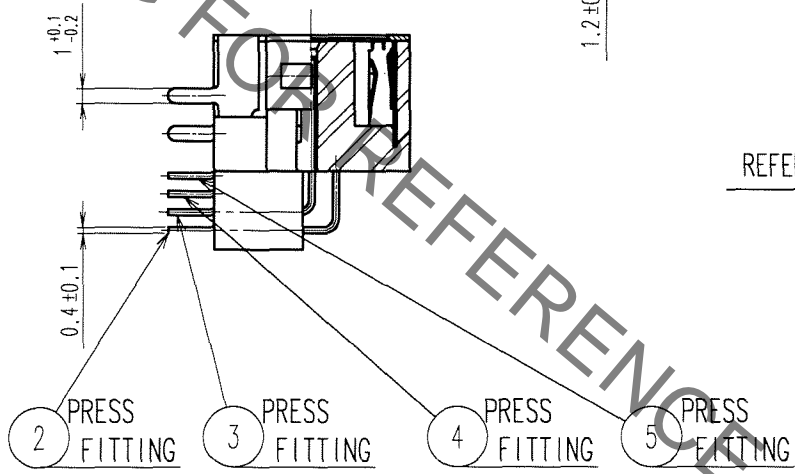
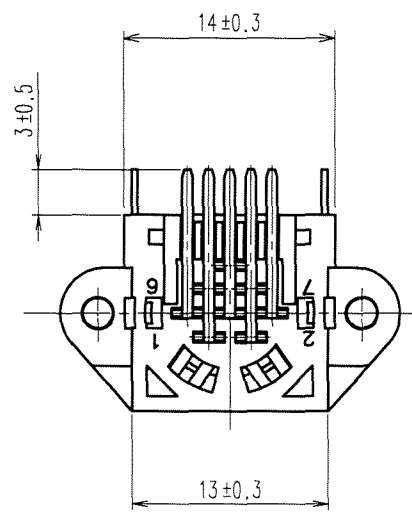
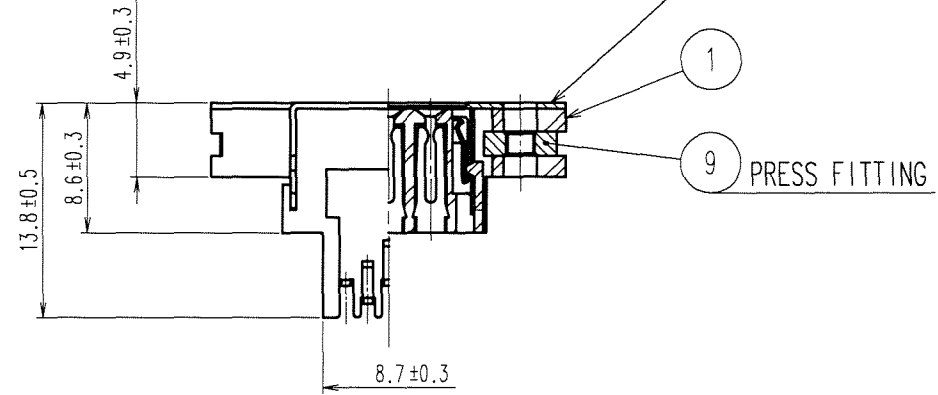
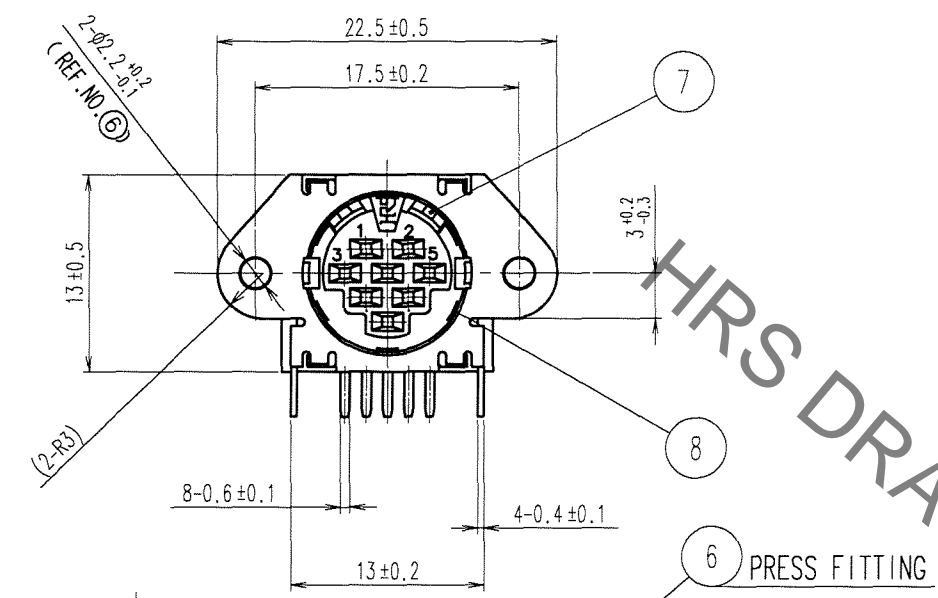


Sep.1.2021 Copyright 2021 HIROSE ELECTRIC CO., LTD. All Rights Reserved.
In case of consideration for using Automotive equipment / device which demand high reliability, kindly contact our sales window correspondents.

COUNT	DESCRIPTION OF REVISIONS	BY	CHKD	DATE	COUNT	DESCRIPTION OF REVISIONS	BY	CHKD	DATE
3	DIS-C-000571	D.M	Y.Y	07.03.26					



REFERENTIAL DIMENSIONS OF DIP POST ARRANGEMENT
(4:1)

4	PHOSPHOR BRONZE	TIN PLATING	9	BRASS	NICKEL PLATING
3	PHOSPHOR BRONZE	TIN PLATING	8	PHOSPHOR BRONZE	TIN PLATING
2	PHOSPHOR BRONZE	TIN PLATING	7	PHOSPHOR BRONZE	TIN PLATING
1	POLYBUTYLENE TEREPHTHALATE (BLACK)	UL94V-0	6	BRASS	TIN PLATING
			5	PHOSPHOR BRONZE	TIN PLATING

NO.	MATERIAL	FINISH, REMARKS	NO.	MATERIAL	FINISH, REMARKS
9	BRASS	NICKEL PLATING	JIS B 1181 HEX NUT M2×0.4		
8	PHOSPHOR BRONZE	TIN PLATING			
7	PHOSPHOR BRONZE	TIN PLATING			
6	BRASS	TIN PLATING			
5	PHOSPHOR BRONZE	TIN PLATING			

CODE NO. (OLD) CL	DRAWN M.SATO 06.06.07	DESIGNED D.MATSUNE 06.06.07	CHECKED E.KUNII 06.06.07	APPROVED M.SATO 06.06.07	RELEASED
SCALE 2 : 1	DRAWING NO. EDC3-028347-73		PART NO. HR212-10R-8SDL (73)		
UNITS mm	HRS HIROSE ELECTRIC CO., LTD		CODE NO. CL112-2003-8-73		1/1

TO
R



X-ON Electronics

Largest Supplier of Electrical and Electronic Components

Click to view similar products for [Standard Circular Connector](#) category:

Click to view products by [Hirose](#) manufacturer:

Other Similar products are found below :

[5M2530B10P](#) [600259N006](#) [600273N007](#) [6134-336-13149](#) [6134-337-11149](#) [6134-337-2390](#) [6134-341-17149](#) [6280-4SG-516](#) [6280-7SG-3DC](#)
[6290](#) [6291A](#) [66200A-10](#) [680-SMG](#) [681-PMG](#) [CXS3102A14S2P](#) [CXS3102A181S](#) [7251-6SG-300](#) [7271-6SG-300](#) [7282-3PG-300-CH3](#) [75-](#)
[474014-05S](#) [75-474618-01S](#) [75-474618-04P](#) [75-474618-04S](#) [799539-000](#) [MI8-SE](#) [805-005-07NF11-19PC](#) [805-005-07NF15-7PA](#) [8280-4PG-](#)
[516](#) [8280-7PG-519](#) [8282-5PG-519](#) [836783-1](#) [MP-4102-25P-C](#) [862256-1](#) [864019-2](#) [866857-1](#) [867865-1](#) [PT01SP-14-18P](#) [PT08P-14-5S](#) [120-](#)
[1833-000](#) [QCM019PC2DC012B](#) [1-2069279-1](#) [121583-0217](#) [121667-0020](#) [129591AU](#) [1000B BULK](#) [RD10A16-19-P6CS051/1](#) [RD10A20-31-](#)
[P8CS051/1](#) [RD16A14-12-S6CS051/2](#) [1301240290](#) [1301240347](#) [1301860202](#)