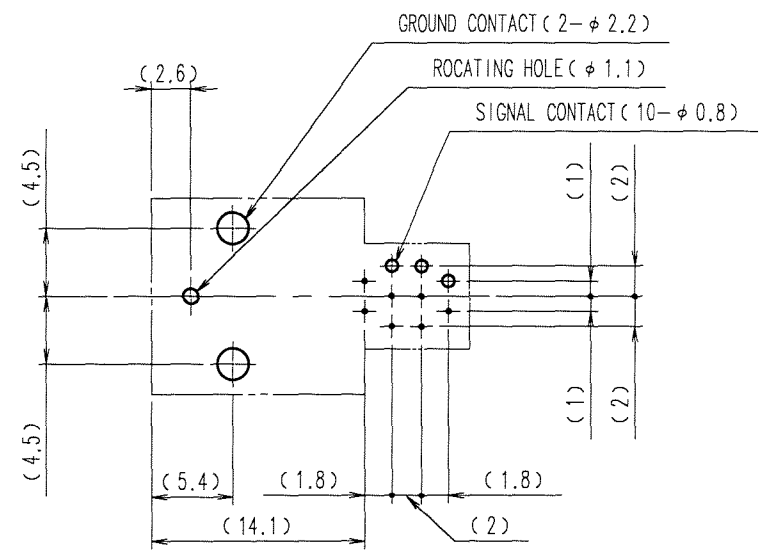
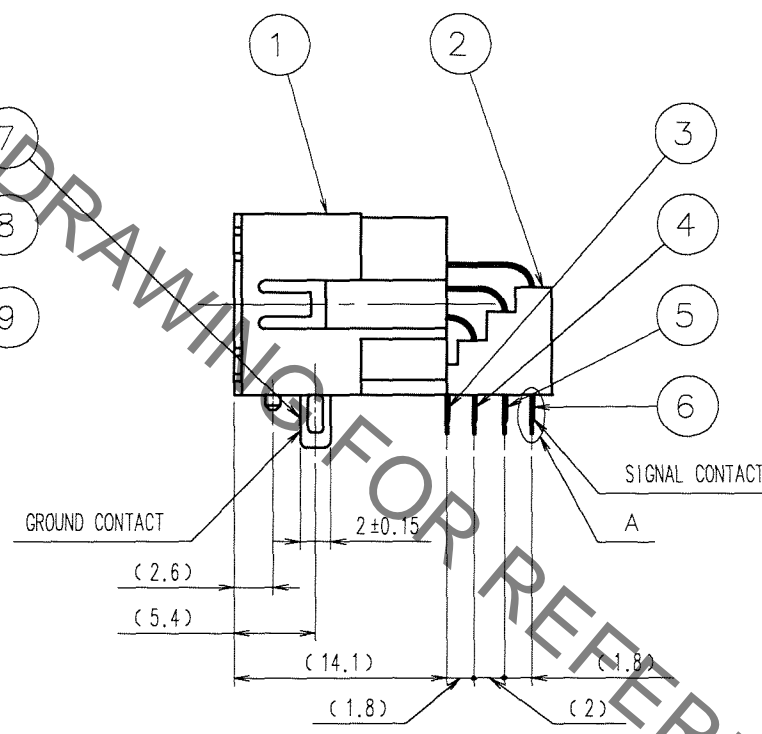
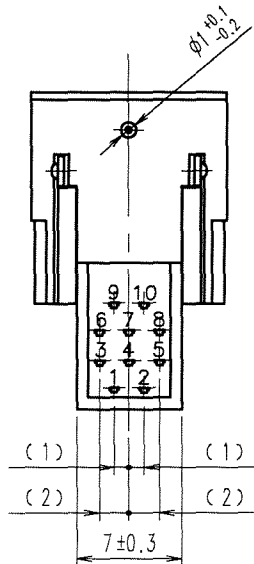
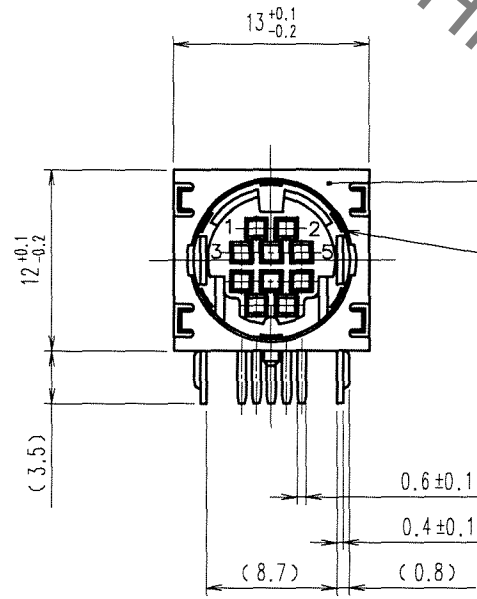
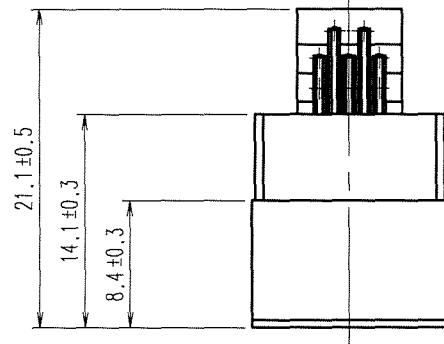


Sep.1.2021 Copyright 2021 HIROSE ELECTRIC CO., LTD. All Rights Reserved.  
In case of consideration for using Automotive equipment / device which demand high reliability, kindly contact our sales window correspondents.

COUNT	DESCRIPTION OF REVISIONS	BY	CHKD	DATE	COUNT	DESCRIPTION OF REVISIONS	BY	CHKD	DATE
△				..	△				..
△				..	△				..
△				..	△				..



REFERENTIAL DIMENSIONS OF DIP POST ARRANGEMENT  
(APPLICABLE BOARD THICKNESS = 1~2)

1 PLATING  
CONTACT AREA: GOLD 2μm min  
LEAD AREA: GOLD FLASH PLATING  
UNDER PLATING: NICKEL 2μm min

TO
R

4	PHOSPHOR BRONZE	<1	9	PHOSPHOR BRONZE	TIN PLATING
3	PHOSPHOR BRONZE	<1	8	PHOSPHOR BRONZE	TIN PLATING
2	PBT	(BLACK) UL94V-0	7	PHOSPHOR BRONZE	TIN PLATING
1	PBT	(BLACK) UL94V-0	6	PHOSPHOR BRONZE	<1
			5	PHOSPHOR BRONZE	<1
NO.	MATERIAL	FINISH, REMARKS	NO.	MATERIAL	FINISH, REMARKS

CODE NO. (OLD) CL	DRAWN <i>T. Horii</i> 06.07.10	DESIGNED <i>T. Horii</i> 06.07.10	CHECKED <i>E. Kunita</i> 06.07.10	APPROVED <i>M. Sato</i> 06.07.12	RELEASED ..
----------------------	--------------------------------------	---	---	--	----------------

SCALE 2 : 1	DRAWING NO. EDC3-043199-74	PART NO. HR212-10RC-10SDL (74)
UNITS mm	<b>HRS</b> HIROSE ELECTRIC CO., LTD	CODE NO. CL112-2009-4-74

## X-ON Electronics

Largest Supplier of Electrical and Electronic Components

*Click to view similar products for [Standard Circular Connector](#) category:*

*Click to view products by [Hirose](#) manufacturer:*

Other Similar products are found below :

[5M2530B10P](#) [600259N006](#) [600273N007](#) [6134-336-13149](#) [6134-337-11149](#) [6134-337-2390](#) [6134-341-17149](#) [6280-4SG-516](#) [6280-7SG-3DC](#)  
[6290](#) [6291A](#) [66200A-10](#) [680-SMG](#) [681-PMG](#) [CXS3102A14S2P](#) [CXS3102A181S](#) [7251-6SG-300](#) [7271-6SG-300](#) [7282-3PG-300-CH3](#) [75-](#)  
[474014-05S](#) [75-474618-01S](#) [75-474618-04S](#) [799539-000](#) [MI8-SE](#) [805-005-07NF11-19PC](#) [805-005-07NF15-7PA](#) [8280-4PG-516](#) [8280-7PG-](#)  
[519](#) [8282-5PG-519](#) [836783-1](#) [MP-4102-25P-C](#) [862256-1](#) [864019-2](#) [866857-1](#) [867865-1](#) [PT01SP-14-18P](#) [PT08P-14-5S](#) [PTSF06SE-14-12S](#)  
[120-1833-000](#) [QCM019PC2DC012B](#) [1-2069279-1](#) [121583-0217](#) [121667-0020](#) [129591AU](#) [1000B BULK](#) [RD10A16-19-P6CS051/1](#)  
[RD10A20-31-P8CS051/1](#) [RD16A14-12-S6CS051/2](#) [1301240290](#) [1301240347](#) [1301860202](#)