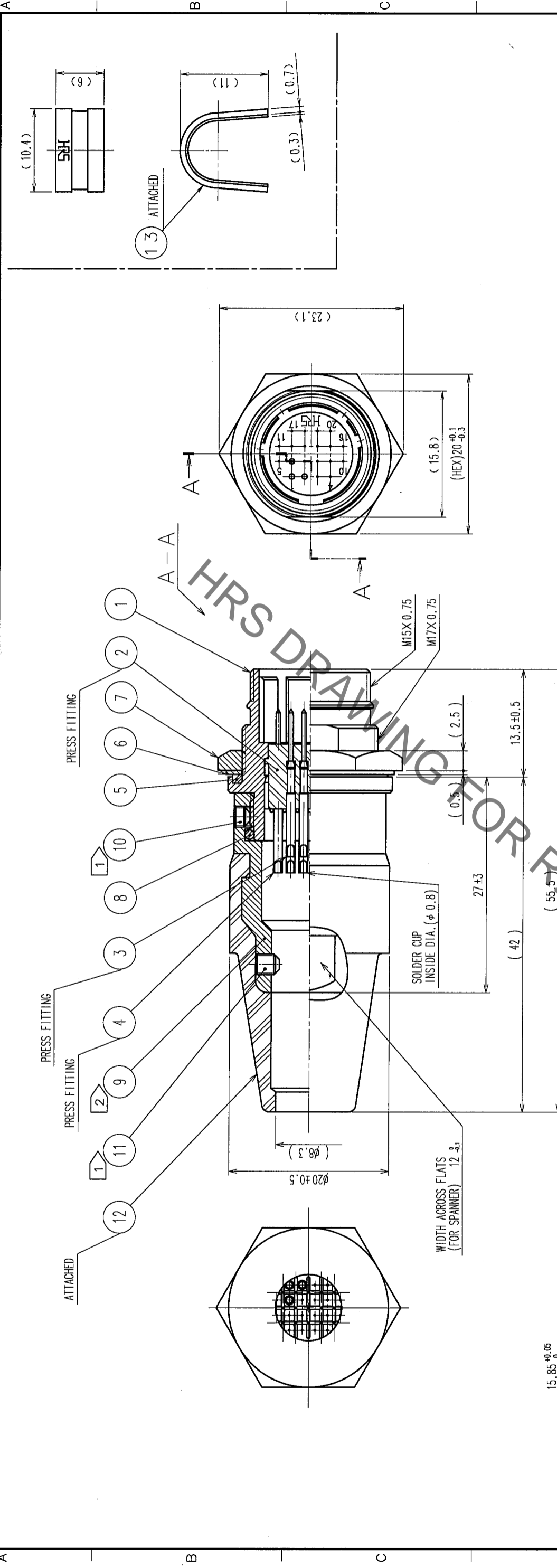


COUNT	DESCRIPTION OF REVISIONS	BY	CHKD	DATE	COUNT	DESCRIPTION OF REVISIONS	BY	CHKD	DATE
△					△				
△					△				
△					△				



NO.	MATERIAL	FINISH, REMARKS	NO.	MATERIAL	FINISH, REMARKS
7	BRASS	NICKEL PLATING	13	BRASS	
6	BRASS	NICKEL PLATING (BLACK)	12	NBR	(BLACK)
5	SIR		11	STAINLESS STEEL	NICKEL PLATING (BLACK)
4	BRASS	SILVER PLATING 2μm min.	10	STAINLESS STEEL	NICKEL PLATING (BLACK)
3	BRASS	SILVER PLATING 2μm min.	9	BRASS	NICKEL PLATING
2	PBT	(BLACK) UL94V-0	8	SIR	(BLACK)
1	ZINC ALLOY	NICKEL PLATING			

CODE NO. (COLD)	DRAWN	DESIGNED	CHECKED	APPROVED	RELEASED
	<i>J. Kometani</i>	<i>E. Kunita</i>	/	<i>M. Saito</i>	
	'06.02.01	'06.02.01	'06.02.01	'06.02.01	

DRAWING NO.	PART NO.
EDC3-045418-73	HR22-12TJD-20P(73)
SCALE	CODE NO.
2 : 1	CL122-0022-9-73
UNITS	
mm	

NOTE

- ACROSS FLATS HEXAGON HEAD OF REF. NO. ⑩ AND ⑪ : 1.27
- THE RECOMMENDED CLAMP TORQUE, REF. NO. ⑩ AND ⑪ : 0.3-0.4N·m.
- THE RECOMMENDED CLAMP TORQUE, REF. NO. ⑨ : 2N·m.

LOCTITE 242, HENKEL JAPAN OR EQUIVALENT IS RECOMMENDED TO PREVENT REF. NO. ⑦, ⑩, ⑪ FROM LOOSENING.

ONE EXAMPLE OF THE ROTATION OF REF. NO. ① TO REF. NO. ⑨ IS SHOWN.

TO	
R	

X-ON Electronics

Largest Supplier of Electrical and Electronic Components

Click to view similar products for [Standard Circular Connector](#) category:

Click to view products by [Hirose](#) manufacturer:

Other Similar products are found below :

[5M2530B10P](#) [600259N006](#) [600273N007](#) [6134-336-13149](#) [6134-337-11149](#) [6134-337-2390](#) [6134-341-17149](#) [6280-4SG-516](#) [6280-7SG-3DC](#)
[6290](#) [6291A](#) [66200A-10](#) [680-SMG](#) [681-PMG](#) [CXS3102A14S2P](#) [CXS3102A181S](#) [7251-6SG-300](#) [7271-6SG-300](#) [7282-3PG-300-CH3](#) [75-](#)
[474014-05S](#) [75-474618-01S](#) [75-474618-04S](#) [799539-000](#) [MI8-SE](#) [805-005-07NF11-19PC](#) [805-005-07NF15-7PA](#) [8280-4PG-516](#) [8280-7PG-](#)
[519](#) [8282-5PG-519](#) [836783-1](#) [MP-4102-25P-C](#) [862256-1](#) [864019-2](#) [866857-1](#) [867865-1](#) [PT01SP-14-18P](#) [PT08P-14-5S](#) [PTSF06SE-14-12S](#)
[120-1833-000](#) [QCM019PC2DC012B](#) [1-2069279-1](#) [121583-0217](#) [121667-0020](#) [129591AU](#) [1000B BULK](#) [RD10A16-19-P6CS051/1](#)
[RD10A20-31-P8CS051/1](#) [RD16A14-12-S6CS051/2](#) [1301240290](#) [1301240347](#) [1301860202](#)