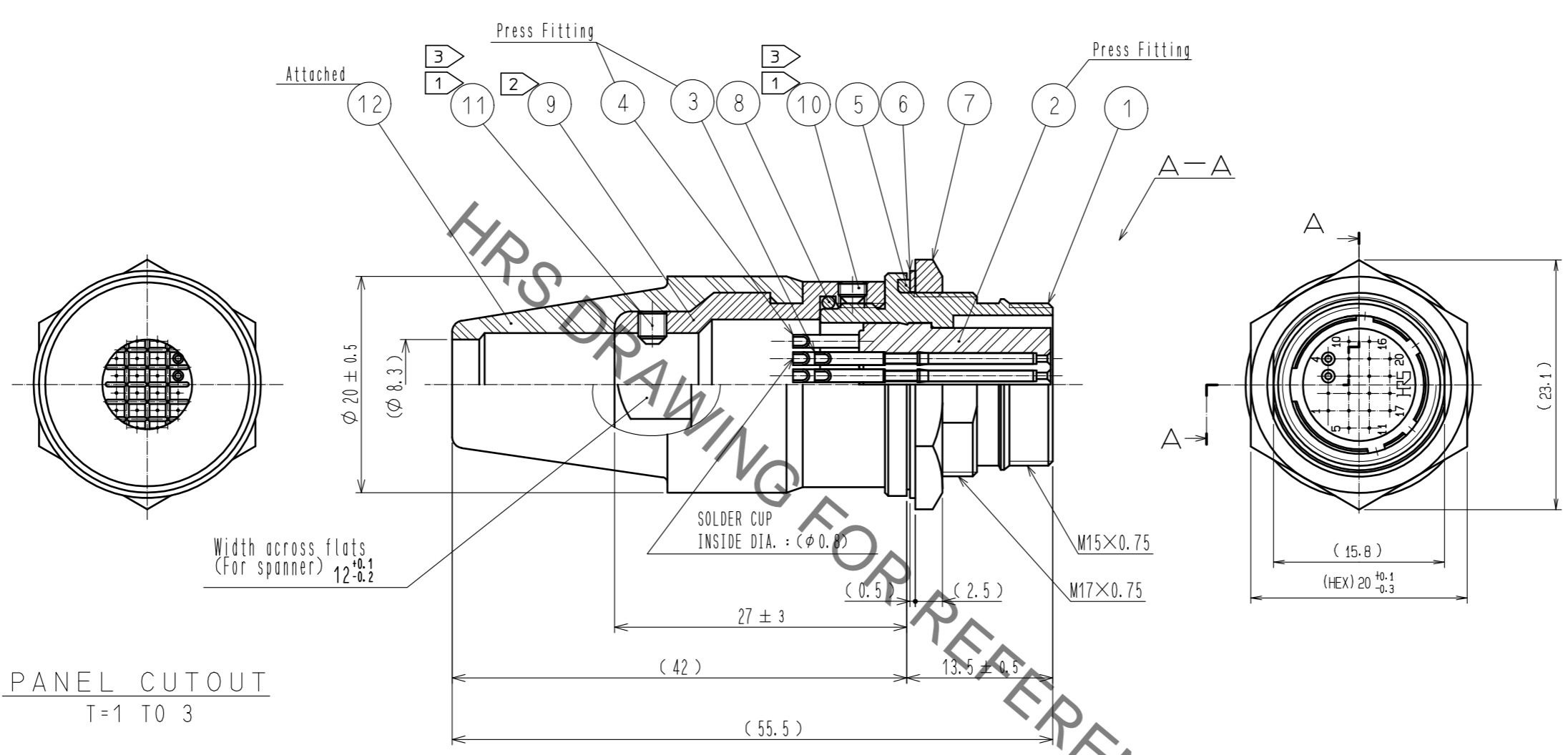
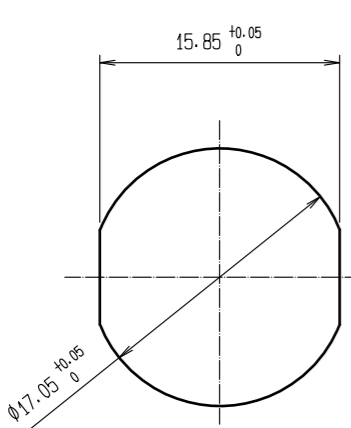


Sep.1.2021 Copyright 2021 HIROSE ELECTRIC CO., LTD. All Rights Reserved.
In case of consideration for using Automotive equipment / device which demand high reliability, kindly contact our sales window correspondents.



PANEL CUTOUT
T=1 TO 3



- NOTES
- ① ACROSS FLATS HEXAGON HEAD OF REF. NO. 10 AND 11 : 1.27.
 - ② THE RECOMMENDED CLAMP TORQUE, REF. NO. 9 : 2N · m. LOCTITE 263, HENKEL JAPAN OR EQUIVALENT IS RECOMMENDED TO PREVENT REF. NO. 9 FROM LOOSENING.
 - ③ THE RECOMMENDED CLAMP TORQUE, REF. NO. 10 AND 11 : 0.3 TO 0.4 N · m.
4. ONE EXAMPLE OF THE ROTATION OF REF. NO. 1 AND 9 IS SHOWN.

| NO. | MATERIAL | FINISH . REMARKS | NO. | MATERIAL | FINISH . REMARKS |
|-----|----------------------------|------------------|-----|--------------------------------|----------------------------|
| 7 | Brass | Nickel plating | 13 | Brass | |
| 6 | Brass | Nickel plating | 12 | Acrylonitrile-butadiene rubber | (Black) |
| 5 | Silicone rubber | (Black) | 11 | Steel | Nickel plating M2.6×0.45×3 |
| 4 | Beryllium copper | Silver plating | 10 | Steel | Nickel plating M2.6×0.45×2 |
| 3 | Beryllium copper | Silver plating | 9 | Brass | Nickel plating |
| 2 | Polybutylene terephthalate | (Black) UL94V-0 | 8 | Silicone rubber | (Black) |
| 1 | Zinc alloy | Nickel Plating | | | |

| UNITS | SCALE | COUNT | DESCRIPTION OF REVISIONS | DESIGNED | CHECKED | DATE |
|-------------------------|-------|-------|--------------------------|------------------------------|---------|------|
| mm | 2 : 1 | △ | | | | |
| APPROVED : E.J. KUNII | | | 16.02.13 | DRAWING NO. EDC-045419-73-00 | | |
| CHECKED : E.J. KUNII | | | 16.02.13 | PART NO. HR22-12TJD-20S(73) | | |
| DESIGNED : S.J. SHIMIZU | | | 16.02.13 | CODE NO. CL122-0023-1-73 | | |
| DRAWN : S.J. SHIMIZU | | | 16.02.13 | 1/1 | | |

X-ON Electronics

Largest Supplier of Electrical and Electronic Components

Click to view similar products for [Standard Circular Connector](#) category:

Click to view products by [Hirose](#) manufacturer:

Other Similar products are found below :

[5M2530B10P](#) [600259N006](#) [600273N007](#) [6134-336-13149](#) [6134-337-11149](#) [6134-337-2390](#) [6134-341-17149](#) [6280-4SG-516](#) [6280-7SG-3DC6290](#) [6291A](#) [66200A-10](#) [680-SMG](#) [681-PMG](#) [CXS3102A14S2P](#) [CXS3102A181S](#) [7251-6SG-300](#) [7271-6SG-300](#) [7282-3PG-300-CH3](#) [75-474014-05S](#) [75-474618-01S](#) [75-474618-04S](#) [799539-000](#) [MI8-SE](#) [805-005-07NF11-19PC](#) [805-005-07NF15-7PA](#) [8280-4PG-516](#) [8280-7PG-519](#) [8282-5PG-519](#) [836783-1](#) [MP-4102-25P-C](#) [862256-1](#) [864019-2](#) [866857-1](#) [867865-1](#) [PT01SP-14-18P](#) [PT08P-14-5S](#) [PTSF06SE-14-12S120-1833-000](#) [QCM019PC2DC012B](#) [1-2069279-1](#) [121583-0217](#) [121667-0020](#) [129591AU](#) [1000B BULK](#) [RD10A16-19-P6CS051/1](#)
[RD10A20-31-P8CS051/1](#) [RD16A14-12-S6CS051/2](#) [1301240290](#) [1301240347](#) [1301860202](#)