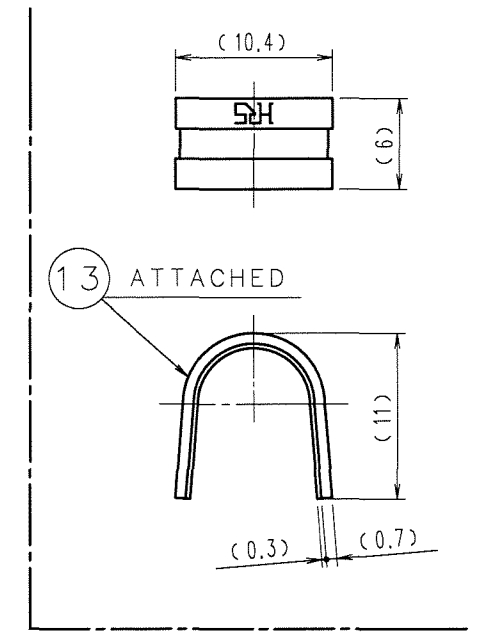
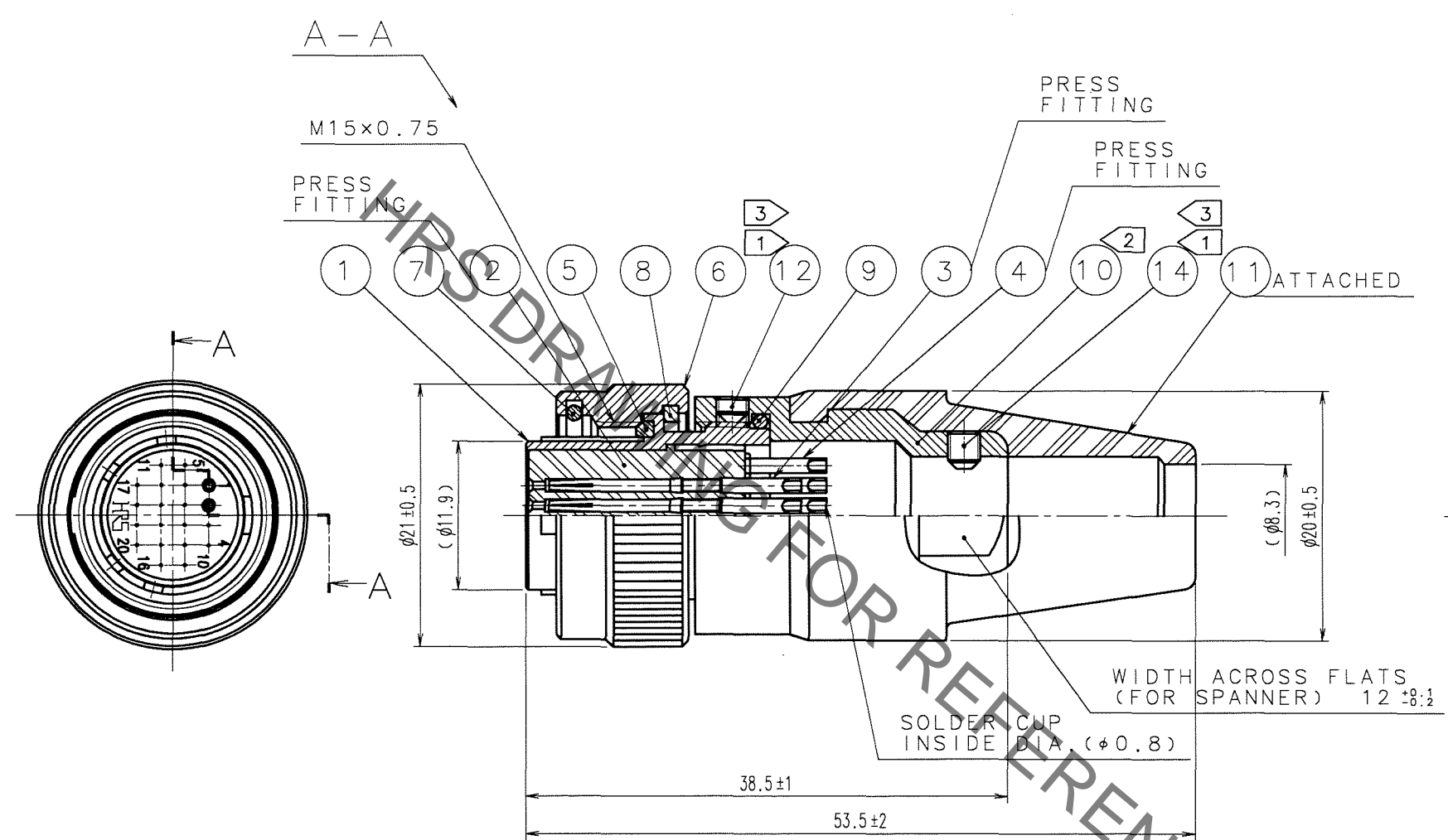


Sep.1.2021 Copyright 2021 HIROSE ELECTRIC CO., LTD. All Rights Reserved.  
In case of consideration for using Automotive equipment / device which demand high reliability, kindly contact our sales window correspondents.

COUNT	DESCRIPTION OF REVISIONS	BY	CHKD	DATE	COUNT	DESCRIPTION OF REVISIONS	BY	CHKD	DATE
△				..	△				..
△				..	△				..
△				..	△				..



NOTE: ① ACROSS FLATS OF HEXAGON SOCKET OF REF.NO. ⑫, ⑭: 1.27.  
 ② THE RECOMMENDED CLAMP TORQUE OF REF.NO. ⑩: 2 N·m.  
 LOCTITE 271, LOCTITE OR EQUIVALENT IS RECOMMENDED TO PREVENT REF.NO. ⑩ FROM LOOSENING.  
 ③ THE RECOMMENDED CLAMP TORQUE OF REF.NO. ⑫, ⑭: 0.3 TO 0.4 N·m.  
 ④ ROTATION EXAMPLES OF REF.NO. ① AND ⑩ ARE SHOWN.

7	STEEL	ZINC CHROMATED	14	STEEL	NICKEL PLATING M2.6x0.45x3
6	BRASS	NICKEL PLATING	13	BRASS	
5	SIR	(BLACK)	12	STEEL	NICKEL PLATING M2.6x0.45x2
4	BERYLLIUM COPPER	SILVER PLATING 2μm min.	11	NBR	(BLACK)
3	BERYLLIUM COPPER	SILVER PLATING 2μm min.	10	BRASS	NICKEL PLATING
2	PBT	(BLACK) UL94V-0	9	SIR	(BLACK)
1	ZINC ALLOY	NICKEL PLATING	8	PHOSPHOR BRONZE	NICKEL PLATING
NO.	MATERIAL	FINISH, REMARKS	NO.	MATERIAL	FINISH, REMARKS

CODE NO. (OLD)	DRAWN	DESIGNED	CHECKED	APPROVED	RELEASED
	<i>S. Komatsu</i>	<i>S. Komatsu</i>	<i>E. Kurui</i>	<i>M. Saito</i>	
	06.03.20	06.03.20	06.03.20	06.03.20	

SCALE 2 : 1	DRAWING NO. EDC3-043812-73	PART NO. HR22-12TPD-20S(73)
UNITS mm	<b>HRS</b> HIROSE ELECTRIC CO., LTD.	CODE NO. CL122-0011-2-73

TO  
R

## X-ON Electronics

Largest Supplier of Electrical and Electronic Components

*Click to view similar products for [Standard Circular Connector](#) category:*

*Click to view products by [Hirose](#) manufacturer:*

Other Similar products are found below :

[5M2530B10P](#) [600259N006](#) [600273N007](#) [6134-336-13149](#) [6134-337-11149](#) [6134-337-2390](#) [6134-341-17149](#) [6280-4SG-516](#) [6280-7SG-3DC](#)  
[6290](#) [6291A](#) [66200A-10](#) [680-SMG](#) [681-PMG](#) [CXS3102A14S2P](#) [CXS3102A181S](#) [7251-6SG-300](#) [7271-6SG-300](#) [7282-3PG-300-CH3](#) [75-](#)  
[474014-05S](#) [75-474618-01S](#) [75-474618-04P](#) [75-474618-04S](#) [799539-000](#) [MI8-SE](#) [805-005-07NF11-19PC](#) [805-005-07NF15-7PA](#) [8280-4PG-](#)  
[516](#) [8280-7PG-519](#) [8282-5PG-519](#) [836783-1](#) [MP-4102-25P-C](#) [862256-1](#) [864019-2](#) [866857-1](#) [867865-1](#) [PT01SP-14-18P](#) [PT08P-14-5S](#)  
[PTSF06SE-14-12S](#) [120-1833-000](#) [QCM019PC2DC012B](#) [1-2069279-1](#) [121583-0217](#) [121667-0020](#) [129591AU](#) [1000B BULK](#) [RD10A16-19-](#)  
[P6CS051/1](#) [RD10A20-31-P8CS051/1](#) [RD16A14-12-S6CS051/2](#) [1301240290](#) [1301240347](#)