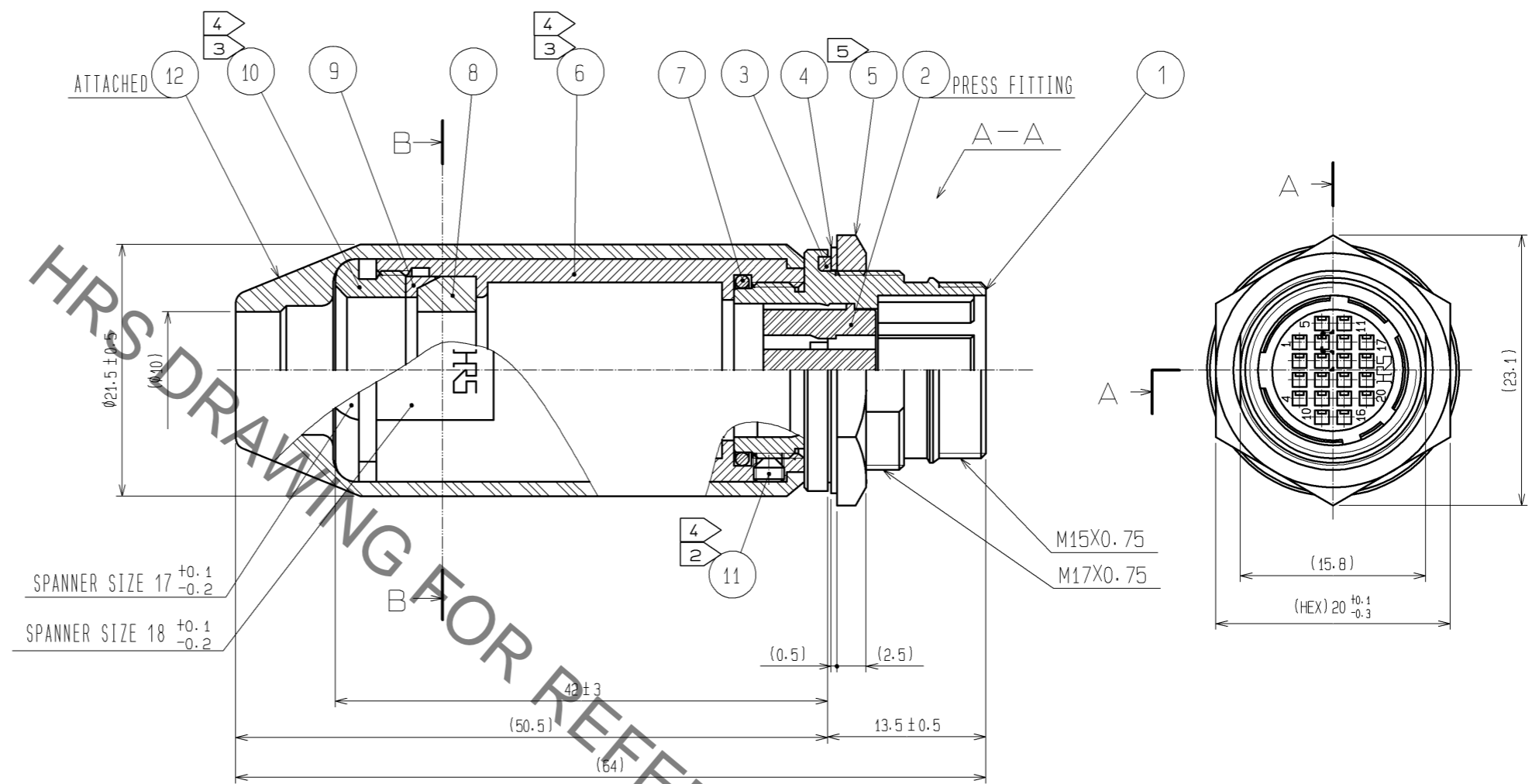
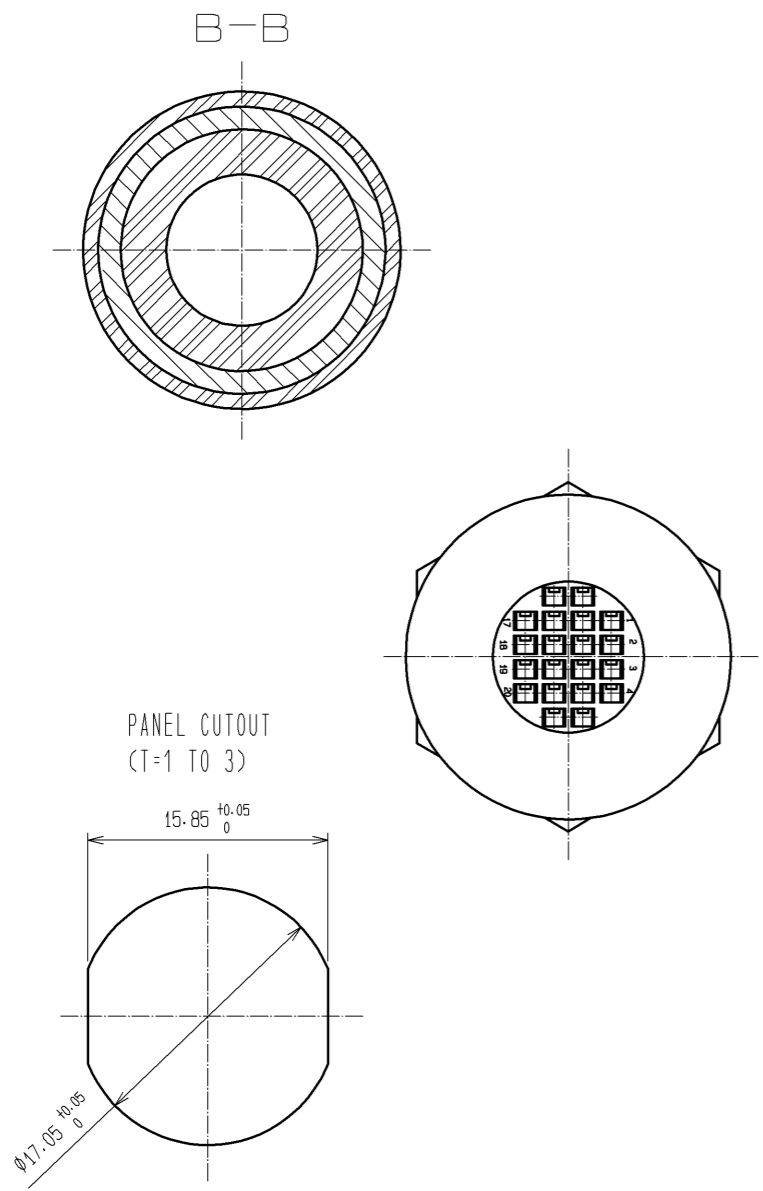


Sep.1.2021 Copyright 2021 HIROSE ELECTRIC CO., LTD. All Rights Reserved.  
In case of consideration for using Automotive equipment / device which demand high reliability, kindly contact our sales window correspondents.



- NOTES
- ① TABLE 1 SHOWS APPLICABLE CRIMP CONTACT AND APPLICABLE TOOL.
  - ② ACROSS FLATS OF HEXAGON SOCKET OF REF. NO. ①: 1.27.  
THE RECOMMENDED CLAMP TORQUE OF REF. NO. ① : 0.3 TO 0.4N · m.
  - ③ THE RECOMMENDED CLAMP TORQUE OF REF. NO. ⑥ AND ⑩ : 2 N · m.
  - ④ LOCTITE 242, HENKEL JAPAN OR EQUIVALENT IS RECOMMENDED TO PREVENT REF. NO. ⑥, ⑩ AND ⑪ FROM LOOSENING.
  - ⑤ THE RECOMMENDED CLAMP TORQUE OF REF. NO. ⑤ : 3 TO 4N · m.
  - ⑥ ROTATION EXAMPLES OF REF. NO. ①, ⑥ AND ⑩ ARE SHOWN.
  - ⑦ THE CABLE PULL AND TWISTING STRENGTH AND OTHER CHARACTERISTICS MAY DIFFER, DEPENDING ON THE CABLE STRUCTURE.  
PLEASE CONFIRM BEFORE THE USE.
  - ⑧ MAKE SURE THAT REF. NO. ③ DOES NOT HAVE ANY FACTORS TO REDUCE WATER-RESISTANCY, SUCH AS SCRATCH, TWIST, PINCHING, OR DUST.

TABLE 1

|                          | LOOSE PIECE CONTACT                      | STRIP CONTACT  |
|--------------------------|--|--|
| APPLICABLE CRIMP CONTACT | HR22-PC-122<br>(CL122-0017-9)            | HR22-PC-222<br>(CL122-0009-0)  |
| APPLICABLE CABLE         | AWG# 24~28<br>JACKET DIAMETER Ø 1.15 MAX |  |
| APPLICABLE CRIMPING TOOL | HR22-TA2428HC<br>(CL150-0200-4)          | AUTOMATIC CRIMPING MACHINE: CM-105 (CL901-0005-4)<br>APPLICATOR: AP105-HR22-2 (CL901-2023-7) |
| CONTACT EXTRACTION TOOL  | RP6-SC-TP (CL150-0039-0)                 |  |

| NO. | MATERIAL                   | FINISH, REMARKS | NO. | MATERIAL                       | FINISH, REMARKS  |
|-----|----------------------------|-----------------|-----|--------------------------------|--|
| 6   | BRASS                      | NICKEL PLATING  | 12  | ACRYLONITRILE BUTADIENE RUBBER | (BLACK)  |
| 5   | BRASS                      | NICKEL PLATING  | 11  | STEEL                          | NICKEL PLATING JISB1177 HEXAGON SOCKET SET SCREW M2.6X0.45X2 |
| 4   | BRASS                      | NICKEL PLATING  | 10  | BRASS                          | NICKEL PLATING   |
| 3   | SILICONE RUBBER            | (BLACK)         | 9   | BRASS                          | NICKEL PLATING   |
| 2   | POLYBUTYLENE TEREPHTHALATE | (BLACK) UL94V-0 | 8   | SILICONE RUBBER                | (BLACK)  |
| 1   | ZINC ALLOY                 | NICKEL PLATING  | 7   | SILICONE RUBBER                | (BLACK)  |

| UNITS                | SCALE | COUNT | DESCRIPTION OF REVISIONS | DESIGNED                      | CHECKED | DATE |
|----------------------|-------|-------|--------------------------|-------------------------------|---------|------|
| mm                   | 2 : 1 | △     |                          |                               |         |      |
| APPROVED : HY. KISHI |       |       | 11.03.09                 | DRAWING NO. EDC3-042819-73    |         |      |
| CHECKED : HY. KISHI  |       |       | 11.03.09                 | PART NO. HR22-12WTJA-20PC(73) |         |      |
| DESIGNED : WR. AJIRO |       |       | 11.03.09                 | CODE NO. CL122-0006-2-73      |         |      |
| DRAWN : WR. AJIRO    |       |       | 11.03.09                 | △ 1/1                         |         |      |

## X-ON Electronics

Largest Supplier of Electrical and Electronic Components

*Click to view similar products for [Standard Circular Connector](#) category:*

*Click to view products by [Hirose](#) manufacturer:*

Other Similar products are found below :

[5M2530B10P](#) [600259N006](#) [600273N007](#) [6134-336-13149](#) [6134-337-11149](#) [6134-337-2390](#) [6134-341-17149](#) [6280-4SG-516](#) [6280-7SG-3DC](#)  
[6290](#) [6291A](#) [66200A-10](#) [680-SMG](#) [681-PMG](#) [CXS3102A14S2P](#) [CXS3102A181S](#) [7251-6SG-300](#) [7271-6SG-300](#) [7282-3PG-300-CH3](#) [75-](#)  
[474014-05S](#) [75-474618-01S](#) [75-474618-04P](#) [75-474618-04S](#) [799539-000](#) [MI8-SE](#) [805-005-07NF11-19PC](#) [805-005-07NF15-7PA](#) [8280-4PG-](#)  
[516](#) [8280-7PG-519](#) [8282-5PG-519](#) [836783-1](#) [MP-4102-25P-C](#) [862256-1](#) [864019-2](#) [866857-1](#) [867865-1](#) [PT01SP-14-18P](#) [PT08P-14-5S](#)  
[PTSF06SE-14-12S](#) [120-1833-000](#) [QCM019PC2DC012B](#) [1-2069279-1](#) [121583-0217](#) [121667-0020](#) [129591AU](#) [1000B BULK](#) [RD10A16-19-](#)  
[P6CS051/1](#) [RD10A20-31-P8CS051/1](#) [RD16A14-12-S6CS051/2](#) [1301240290](#) [1301240347](#)