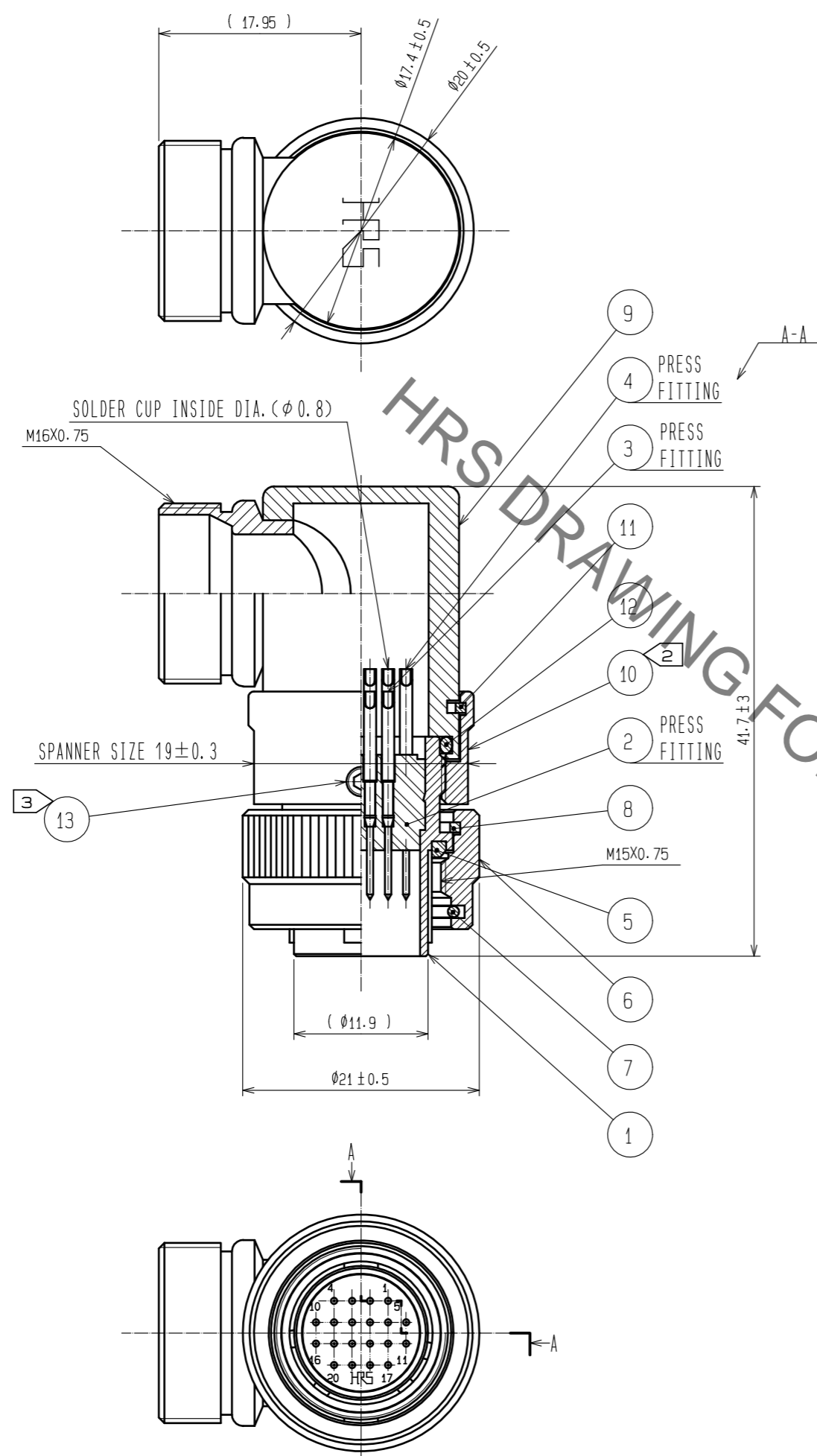


Sep.1.2021 Copyright 2021 HIROSE ELECTRIC CO., LTD. All Rights Reserved.  
In case of consideration for using Automotive equipment / device which demand high reliability, kindly contact our sales window correspondents.



NOTES 1 ONE EXAMPLE OF THE ROTATION OF REF. NO. ①, ② AND ⑩ IS SHOWN.  
 2 THE RECOMMENDED CLAMP TORQUE REF. NO. ⑩: 3 TO 4 N · m.  
 LOCTITE 243, HENKEL JAPAN OR EQUIVALENT IS RECOMMENDED TO PREVENT REF. NO. ⑩ FROM LOOSENING.  
 3 ACRISS FLATS HEXAGON HEAD OF REF. NO. ⑬: 1.27  
 THE RECOMMENDED CLAMP TORQUE REF. NO. ⑬: 0.3 TO 0.4 N · m  
 LOCTITE 243, HENKEL JAPAN OR EQUIVALENT IS RECOMMENDED TO PREVENT REF. NO. ⑬ FROM LOOSENING.  
 4 THIS PRODUCT TO BE USED WITH CABLECLAMP, JR13WCC-\*(72)  
 \* DESIGNATE DIAMETER OF APPLICABLE CABLE.  
 LOCTITE 243, HENKEL JAPAN OR EQUIVALENT IS RECOMMENDED TO PREVENT FROM LOOSENING.  
 5 THE CABLE PULL AND TWISTING STRENGTH AND OTHER CHARACTERISTICS MAY DIFFER,  
 DEPENDING ON THE CABLE STRUCTURE.  
 PLEASE CONFIRM BEFORE THE USE.

NO.	MATERIAL	FINISH . REMARKS	NO.	MATERIAL	FINISH . REMARKS
7	STEEL	NICKEL PLATING	13	STEEL	JISB1177 HEAGON SOCKET SET SCREW M2. 6X0.45X2
6	BRASS	NICKEL PLATING	12	ACRYLONITRILE BUTADIENE RUBBER	(BLACK)
5	ACRYLONITRILE BUTADIENE RUBBER	(BLACK)	11	PHOSPHOR BRONZE	NICKEL PLATING
4	BRASS	SILVER PLATING 2µm min.	10	BRASS	NICKEL PLATING
3	BRASS	SILVER PLATING 2µm min.	9	BRASS	NICKEL PLATING
2	POLYBUTYLENE TEREPHTHALATE	(BLACK) UL94V-0	8	PHOSPHOR BRONZE	NICKEL PLATING
1	ZINC ALLOY	NICKEL PLATING			

UNITS	SCALE	COUNT	DESCRIPTION OF REVISIONS	DESIGNED	CHECKED	DATE
mm	2 : 1	△				
APPROVED : HY. KOBAYASHI			18.02.22	DRAWING NO. EDC-113405-31-00		
CHECKED : HY. KOBAYASHI			18.02.22	PART NO. HR22-12WTL P-20P(31)		
DESIGNED : HY. KISHI			18.02.21	CODE NO. CL122-0054-5-31		
DRAWN : MK. INOUE			18.02.06	1/1		

## X-ON Electronics

Largest Supplier of Electrical and Electronic Components

*Click to view similar products for [Standard Circular Connector](#) category:*

*Click to view products by [Hirose](#) manufacturer:*

Other Similar products are found below :

[5M2530B10P](#) [600259N006](#) [600273N007](#) [6134-336-13149](#) [6134-337-11149](#) [6134-337-2390](#) [6134-341-17149](#) [6280-4SG-516](#) [6280-7SG-3DC](#)  
[6290](#) [6291A](#) [66200A-10](#) [680-SMG](#) [681-PMG](#) [CXS3102A14S2P](#) [CXS3102A181S](#) [7251-6SG-300](#) [7271-6SG-300](#) [7282-3PG-300-CH3](#) [75-](#)  
[474014-05S](#) [75-474618-01S](#) [75-474618-04S](#) [799539-000](#) [MI8-SE](#) [805-005-07NF11-19PC](#) [805-005-07NF15-7PA](#) [8280-4PG-516](#) [8280-7PG-](#)  
[519](#) [8282-5PG-519](#) [836783-1](#) [MP-4102-25P-C](#) [862256-1](#) [864019-2](#) [866857-1](#) [867865-1](#) [PT01SP-14-18P](#) [PT08P-14-5S](#) [PTSF06SE-14-12S](#)  
[120-1833-000](#) [QCM019PC2DC012B](#) [1-2069279-1](#) [121583-0217](#) [121667-0020](#) [129591AU](#) [1000B BULK](#) [RD10A16-19-P6CS051/1](#)  
[RD10A20-31-P8CS051/1](#) [RD16A14-12-S6CS051/2](#) [1301240290](#) [1301240347](#) [1301860202](#)