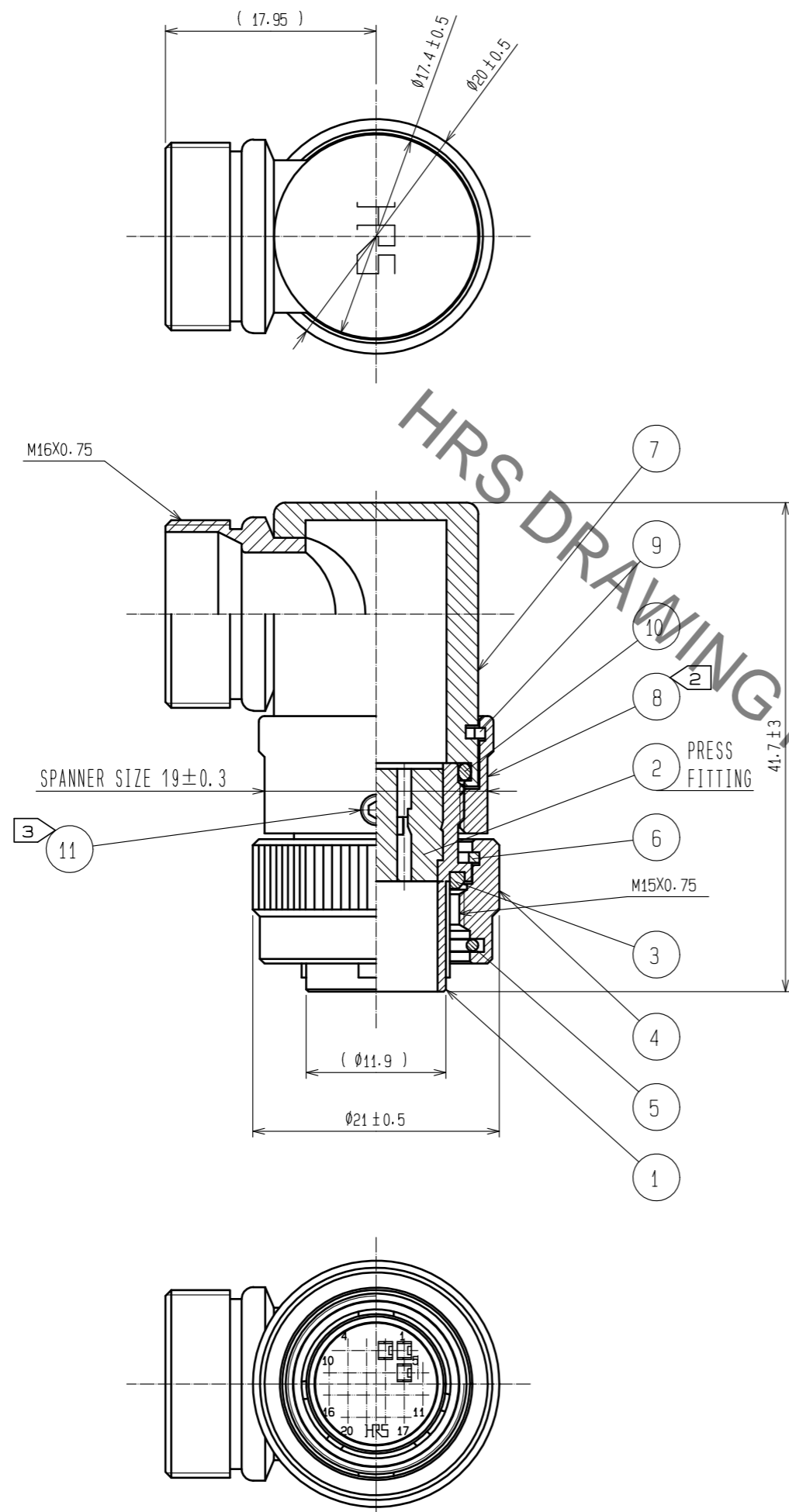


Sep.1.2021 Copyright 2021 HIROSE ELECTRIC CO., LTD. All Rights Reserved.
In case of consideration for using Automotive equipment / device which demand high reliability, kindly contact our sales window correspondents.



HRS DRAWING FOR REFERENCE

- NOTES
1. ONE EXAMPLE OF THE ROTATION OF REF. NO. 7, 8 AND REF. NO. 1 IS SHOWN.
 2. THE RECOMMENDED CLAMP TORQUE REF. NO. 8 : 3 TO 4 N · m.
LOCTITE 243, HENKEL JAPAN OR EQUIVALENT IS RECOMMENDED TO PREVENT REF. NO. 8 FROM LOOSENING.
 3. THE RECOMMENDED CLAMP TORQUE REF. NO. 11 : 0.2 TO 0.3 N · m.
LOCTITE 243, HENKEL JAPAN OR EQUIVALENT IS RECOMMENDED TO PREVENT REF. NO. 11 FROM LOOSENING.
 4. THIS PRODUCT TO BE USED WITH CABLECLAMP, JR13WCC-*(72). THE RECOMMENDED CLAMP TORQUE : 3 TO 4 N · m. AND LOCTITE 243, HENKEL JAPAN OR EQUIVALENT IS RECOMMENDED TO PREVENT FROM LOOSENING. * DESIGNATE DIAMETER OF APPLICABLE CABLE.
 5. THE CABLE PULL AND TWISTING STRENGTH AND OTHER CHARACTERISTICS MAY DIFFER, DEPENDING ON THE CABLE STRUCTURE. PLEASE CONFIRM BEFORE THE USE.

NO.	MATERIAL	FINISH .	REMARKS	NO.	MATERIAL	FINISH .	REMARKS
6	PHOSPHOR BRONZE	NICKEL PLATING					
5	STEEL	NICKEL PLATING		11	STAINLESS STEEL		JISB1177 HEAGON SOCKET SET SCREW M2.6X0.45
4	BRASS	NICKEL PLATING		10	ACRYLONITRILE BUTADIENE RUBBER	(BLACK)	
3	ACRYLONITRILE BUTADIENE RUBBER	(BLACK)		9	PHOSPHOR BRONZE	NICKEL PLATING	
2	POLYBUTYLENE TEREPHTHALATE	(BLACK) UL94V-0		8	BRASS	NICKEL PLATING	
1	ZINC ALLOY	NICKEL PLATING		7	BRASS	NICKEL PLATING	

UNITS	SCALE	COUNT	DESCRIPTION OF REVISIONS	DESIGNED	CHECKED	DATE
mm	2 : 1	△				
APPROVED : HY. KOBAYASHI			18.02.22	DRAWING NO. EDC-116688-31-00		
CHECKED : HY. KOBAYASHI			18.02.22	PART NO. HR22-12WTLP-20PC(31)		
DESIGNED : HY. KISHI			18.02.21	CODE NO. CL122-0064-9-31		
DRAWN : MK. INOUE			18.02.06	△ 1/1		

X-ON Electronics

Largest Supplier of Electrical and Electronic Components

Click to view similar products for [Standard Circular Connector](#) category:

Click to view products by [Hirose](#) manufacturer:

Other Similar products are found below :

[5M2530B10P](#) [600259N006](#) [600273N007](#) [6134-336-13149](#) [6134-337-11149](#) [6134-337-2390](#) [6134-341-17149](#) [6280-4SG-516](#) [6280-7SG-3DC](#)
[6290](#) [6291A](#) [66200A-10](#) [680-SMG](#) [681-PMG](#) [CXS3102A14S2P](#) [CXS3102A181S](#) [7251-6SG-300](#) [7271-6SG-300](#) [7282-3PG-300-CH3](#) [75-](#)
[474014-05S](#) [75-474618-01S](#) [75-474618-04S](#) [799539-000](#) [MI8-SE](#) [805-005-07NF11-19PC](#) [805-005-07NF15-7PA](#) [8280-4PG-516](#) [8280-7PG-](#)
[519](#) [8282-5PG-519](#) [836783-1](#) [MP-4102-25P-C](#) [862256-1](#) [864019-2](#) [866857-1](#) [867865-1](#) [PT01SP-14-18P](#) [PT08P-14-5S](#) [PTSF06SE-14-12S](#)
[120-1833-000](#) [QCM019PC2DC012B](#) [1-2069279-1](#) [121583-0217](#) [121667-0020](#) [129591AU](#) [1000B BULK](#) [RD10A16-19-P6CS051/1](#)
[RD10A20-31-P8CS051/1](#) [RD16A14-12-S6CS051/2](#) [1301240290](#) [1301240347](#) [1301860202](#)