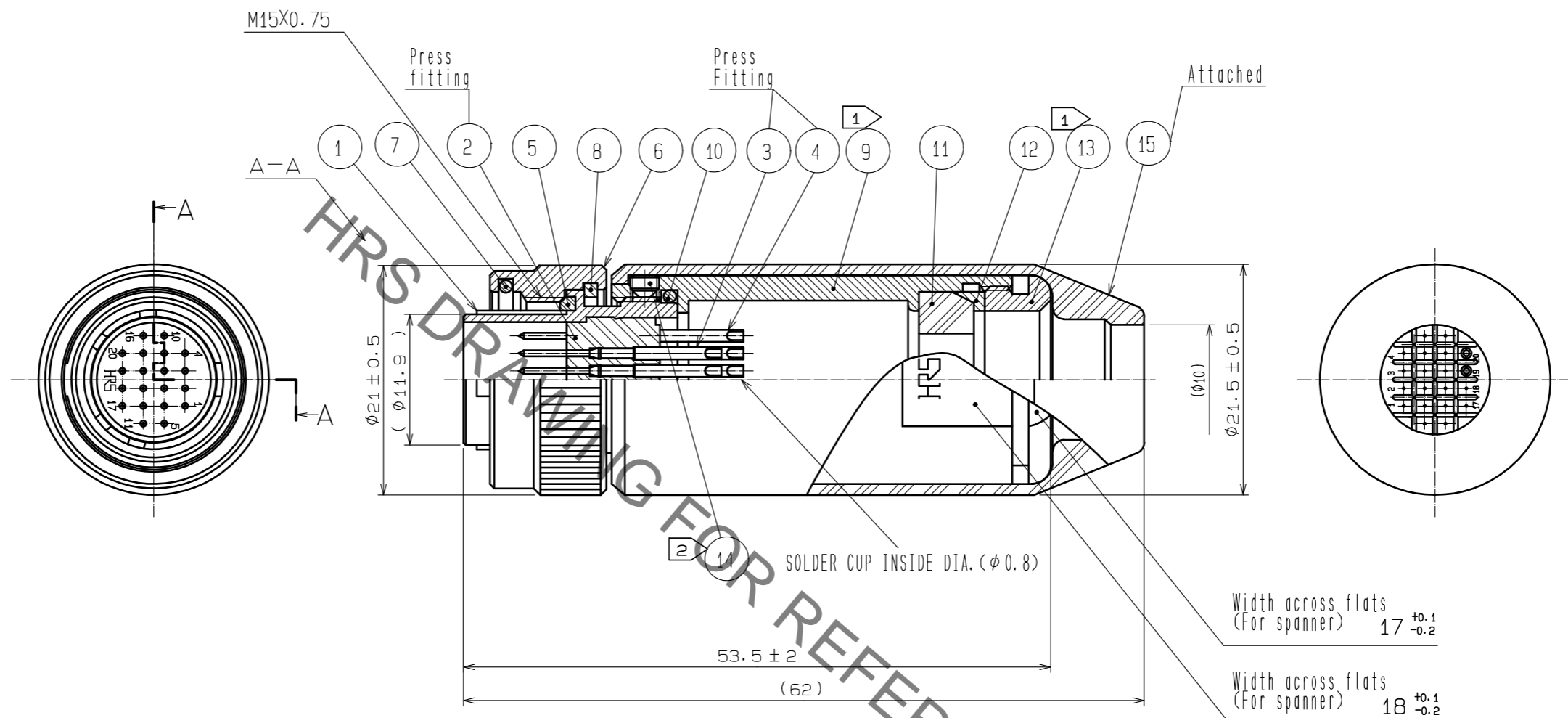


Sep.1.2021 Copyright 2021 HIROSE ELECTRIC CO., LTD. All Rights Reserved.
In case of consideration for using Automotive equipment / device which demand high reliability, kindly contact our sales window correspondents.



- NOTES
- ① THE RECOMMENDED CLAMP TORQUE, REF. NO. 9 AND 13 : 2N · m. AND LOCTITE 263, HENKEL JAPAN OR EQUIVALENT IS RECOMMENDED TO PREVENT REF. NO. 9 AND 13 FROM LOOSENING.
 - ② ACROSS FLATS OF HEXAGON SOCKET OF REF. NO. 14 : 1.27. AND THE RECOMMENDED CLAMP TORQUE : 0.3 TO 0.4N · m.
 - 3. ONE EXAMPLE OF THE ROTATION OF REF. NO. 1, 9, 13 IS SHOWN.
 - 4. THE CABLE PULL AND TWISTING STRENGTH AND OTHER CHARACTERISTICS MAY DIFFER, DEPENDING ON THE CABLE STRUCTURE, PLEASE CONFIRM BEFORE THE USE.

8	Phosphor bronze	Nickel plating	15	Acrylonitrile-butadiene rubber	(Black)
7	Steel	Nickel plating	14	Steel	Nickel plating
6	Brass	Nickel plating	13	Brass	Nickel plating
5	Silicone rubber	(Black)	12	Brass	Nickel plating
4	Brass	Silver plating	11	Silicone rubber	(Black)
3	Brass	Silver plating	10	Silicone rubber	(Black)
2	Polybutylene terephthalate	(Black) UL94V-0	9	Brass	Nickel plating
1	Zinc alloy	Silver plating			
NO.	MATERIAL	FINISH . REMARKS	NO.	MATERIAL	FINISH . REMARKS

UNITS mm			SCALE 2 : 1	COUNT 	DESCRIPTION OF REVISIONS	DESIGNED	CHECKED	DATE
HRS HIROSE ELECTRIC CO., LTD.		APPROVED : EJ. KUNII	16.02.13	DRAWING NO.	EDC-110496-73-00			
		CHECKED : EJ. KUNII	16.02.13	PART NO.	HR22-12WTPA-20P(73)			
		DESIGNED : SJ. SHIMIZU	16.02.13	CODE NO.	CL122-0027-2-73			
		DRAWN : SJ. SHIMIZU	16.02.13					

X-ON Electronics

Largest Supplier of Electrical and Electronic Components

Click to view similar products for [Standard Circular Connector](#) category:

Click to view products by [Hirose](#) manufacturer:

Other Similar products are found below :

[5M2530B10P](#) [600259N006](#) [600273N007](#) [6134-336-13149](#) [6134-337-11149](#) [6134-337-2390](#) [6134-341-17149](#) [6280-4SG-516](#) [6280-7SG-3DC](#)
[6290](#) [6291A](#) [66200A-10](#) [680-SMG](#) [681-PMG](#) [CXS3102A14S2P](#) [CXS3102A181S](#) [7251-6SG-300](#) [7271-6SG-300](#) [7282-3PG-300-CH3](#) [75-](#)
[474014-05S](#) [75-474618-01S](#) [75-474618-04P](#) [75-474618-04S](#) [799539-000](#) [MI8-SE](#) [805-005-07NF11-19PC](#) [805-005-07NF15-7PA](#) [8280-4PG-](#)
[516](#) [8280-7PG-519](#) [8282-5PG-519](#) [836783-1](#) [MP-4102-25P-C](#) [862256-1](#) [864019-2](#) [866857-1](#) [867865-1](#) [PT01SP-14-18P](#) [PT08P-14-5S](#)
[PTSF06SE-14-12S](#) [120-1833-000](#) [QCM019PC2DC012B](#) [1-2069279-1](#) [121583-0217](#) [121667-0020](#) [129591AU](#) [1000B BULK](#) [RD10A16-19-](#)
[P6CS051/1](#) [RD10A20-31-P8CS051/1](#) [RD16A14-12-S6CS051/2](#) [1301240290](#) [1301240347](#)