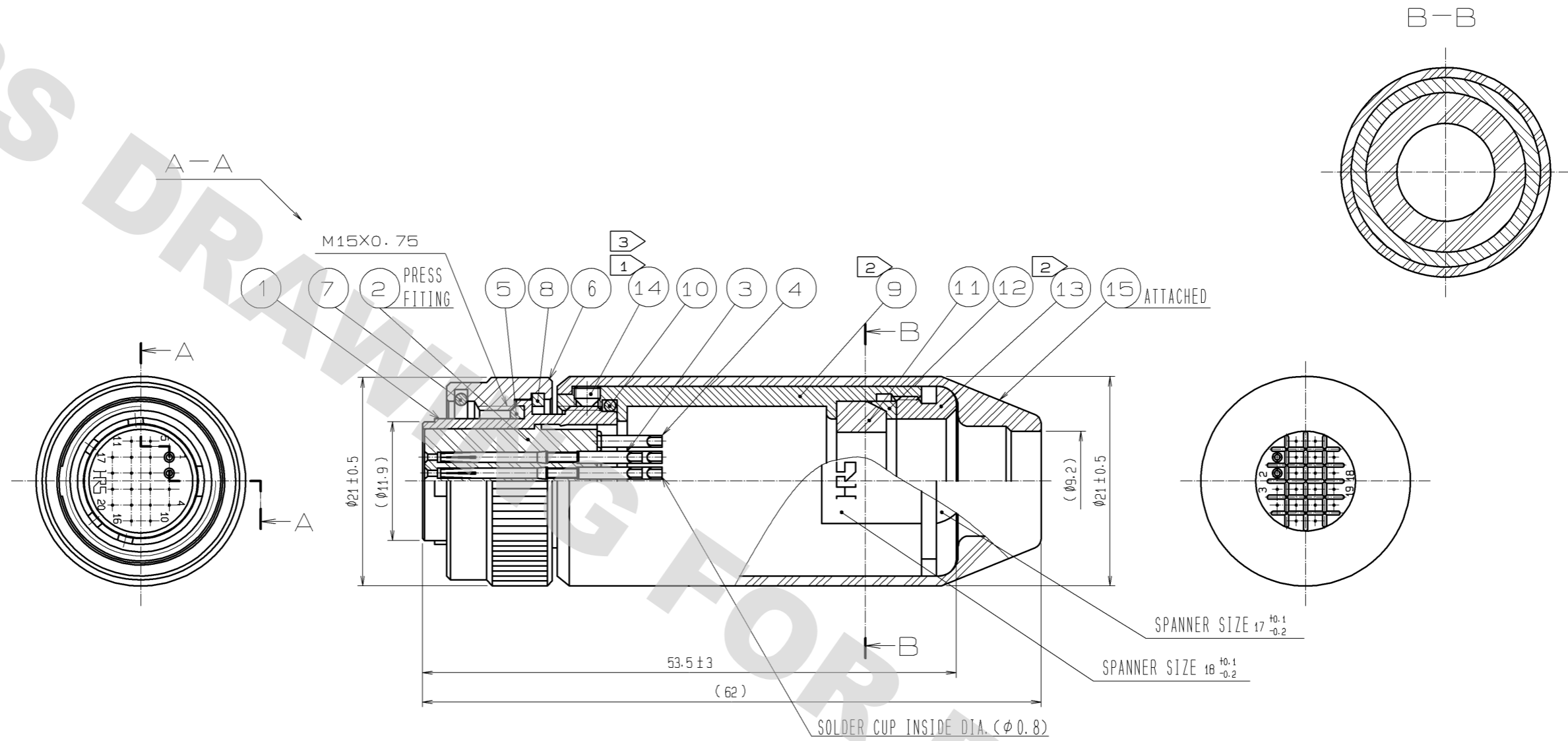


DRAWING FOR REFERENCE: This is subject to change without notice
08/11/2012



- NOTES
- ① ACROSS FLATS OF HEXAGON SOCKET OF REF. NO. ④: 1. 27.
 - ② THE RECOMMENDED CLAMP TORQUE OF REF. NO. ② AND NO. ③: 2N·m. LOCTITE 242, HENKEL JAPAN OR EQUIVALENT IS RECOMMENDED TO PREVENT REF. NO. ② FROM LOOSENING.
 - ③ THE RECOMMENDED CLAMP TORQUE OF REF. NO. ④: 0.3 TO 0.4N·m. LOCTITE 242, HENKEL JAPAN OR EQUIVALENT IS RECOMMENDED TO PREVENT REF. NO. ④ FROM LOOSENING.
 - ④ ROTATION EXAMPLES OF REF. NO. ①, ② AND ③ ARE SHOWN.
 - ⑤ THE CABLE PULL AND TWISTING STRENGTH AND OTHER CHARACTERISTICS MAY DIFFER, DEPENDING ON THE CABLE STRUCTURE. PLEASE CONFIRM BEFORE THE USE.

8	PHOSPHOR BRONZE	NICKEL PLATING			
7	STEEL	NICKEL PLATING	15	CHLOROPRENE RUBBER (BLACK)	
6	BRASS	NICKEL PLATING	14	STEEL	NICKEL PLATING M2. 6X0.45X2
5	SILICONE RUBBER	(BLACK)	13	BRASS	NICKEL PLATING
4	BERYLLIUM COPPER	SILVER PLATING 2μm min	12	BRASS	NICKEL PLATING
3	BERYLLIUM COPPER	SILVER PLATING 2μm min	11	SILICONE RUBBER	(BLACK)
2	POLYBUTYLENE TEREPHTHALATE	(BLACK) UL94V-0	10	SILICONE RUBBER	(BLACK)
1	ZINC ALLOY	NICKEL PLATING	9	BRASS	NICKEL PLATING
NO.	MATERIAL	FINISH . REMARKS	NO.	MATERIAL	FINISH . REMARKS

UNITS mm		SCALE 2 : 1	COUNT 	DESCRIPTION OF REVISIONS	DESIGNED	CHECKED	DATE
HIROSE ELECTRIC CO., LTD.				APPROVED : SU. OBARA 11.01.24 CHECKED : HY. KISHI 11.01.20 DESIGNED : WR. AJIRO 11.01.20 DRAWN : WR. AJIRO 11.01.20	DRAWING NO. EDC3-110296-73 PART NO. HR22-12WTPE-20S(73) CODE NO. CL122-0026-0-73		

X-ON Electronics

Largest Supplier of Electrical and Electronic Components

Click to view similar products for [Standard Circular Connector](#) category:

Click to view products by [Hirose](#) manufacturer:

Other Similar products are found below :

[5M2530B10P](#) [600259N006](#) [600273N007](#) [6134-336-13149](#) [6134-337-11149](#) [6134-337-2390](#) [6134-341-17149](#) [6280-4SG-516](#) [6280-7SG-3DC](#)
[6290](#) [6291A](#) [66200A-10](#) [680-SMG](#) [681-PMG](#) [CXS3102A14S2P](#) [CXS3102A181S](#) [7251-6SG-300](#) [7271-6SG-300](#) [7282-3PG-300-CH3](#) [75-](#)
[474014-05S](#) [75-474618-01S](#) [75-474618-04S](#) [799539-000](#) [MI8-SE](#) [805-005-07NF11-19PC](#) [805-005-07NF15-7PA](#) [8280-4PG-516](#) [8280-7PG-](#)
[519](#) [8282-5PG-519](#) [836783-1](#) [MP-4102-25P-C](#) [862256-1](#) [864019-2](#) [866857-1](#) [867865-1](#) [PT01SP-14-18P](#) [PT08P-14-5S](#) [PTSF06SE-14-12S](#)
[120-1833-000](#) [QCM019PC2DC012B](#) [1-2069279-1](#) [121583-0217](#) [121667-0020](#) [129591AU](#) [1000B BULK](#) [RD10A16-19-P6CS051/1](#)
[RD10A20-31-P8CS051/1](#) [RD16A14-12-S6CS051/2](#) [1301240290](#) [1301240347](#) [1301860202](#)