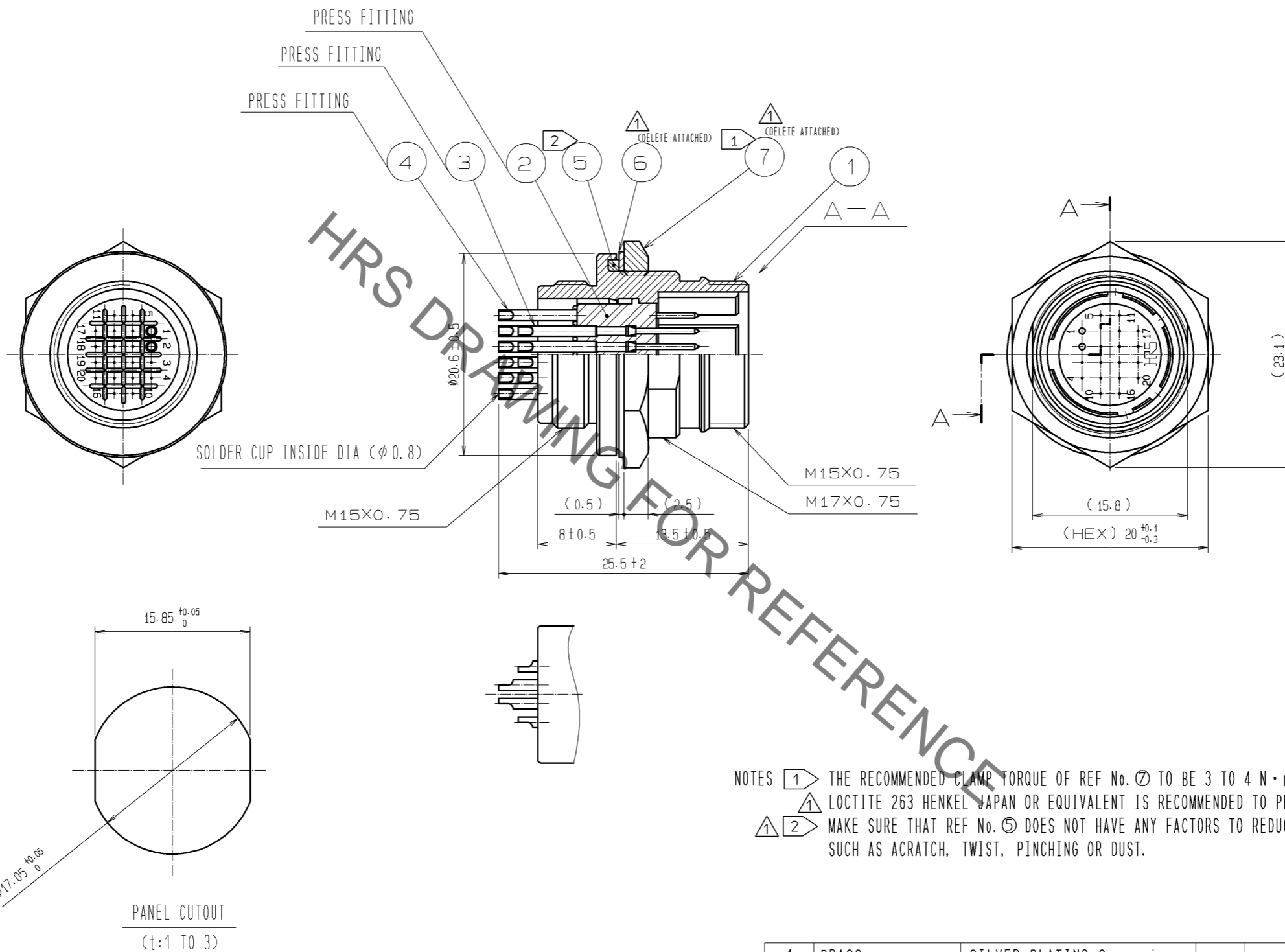


Sep.1.2021 Copyright 2021 HIROSE ELECTRIC CO., LTD. All Rights Reserved.
In case of consideration for using Automotive equipment / device which demand high reliability, kindly contact our sales window correspondents.



- NOTES
- ① THE RECOMMENDED CLAMP TORQUE OF REF No. ⑦ TO BE 3 TO 4 N · m.
 - ⚠ ① LOCTITE 263 HENKEL JAPAN OR EQUIVALENT IS RECOMMENDED TO PREVENT REF No. ⑦ FROM LOOSENING.
 - ⚠ ② MAKE SURE THAT REF No. ⑤ DOES NOT HAVE ANY FACTORS TO REDUCE WATER-RESISTANCY SUCH AS ACRATCH, TWIST, PINCHING OR DUST.

NO.	MATERIAL	FINISH . REMARKS	NO.	MATERIAL	FINISH . REMARKS
4	BRASS	SILVER PLATING 2μm min.			
3	BRASS	SILVER PLATING 2μm min.	7	BRASS	NICKEL PLATING
2	PBT	(BLACK) UL94V-0	6	BRASS	NICKEL PLATING
1	ZINC ALLOY	NICKEL PLATING	5	SILICONE RUBBER	(BLACK)

UNITS mm		SCALE 2 : 1	COUNT 4	DESCRIPTION OF REVISIONS DIS-C-003146	DESIGNED DS. MATSUNE	CHECKED HY. KISHI	DATE 13.07.17
HRS HIROSE ELECTRIC CO., LTD.		APPROVED : MO. SATOH	07.12.27	DRAWING NO. EDC3-043814-73			
		CHECED : YH. YAMADA	07.12.27	PART NO. HR22-12WTRA-20P(73)			
		DESIGNED : DS. MATSUNE	07.12.26	CODE NO. CL122-0013-8-73			
		DRAWN : HN. TANAKA	07.12.14			①/1	

X-ON Electronics

Largest Supplier of Electrical and Electronic Components

Click to view similar products for [Standard Circular Connector](#) category:

Click to view products by [Hirose](#) manufacturer:

Other Similar products are found below :

[5M2530B10P](#) [600259N006](#) [600273N007](#) [6134-336-13149](#) [6134-337-11149](#) [6134-337-2390](#) [6134-341-17149](#) [6280-4SG-516](#) [6280-7SG-3DC](#)
[6290](#) [6291A](#) [66200A-10](#) [680-SMG](#) [681-PMG](#) [CXS3102A14S2P](#) [CXS3102A181S](#) [7251-6SG-300](#) [7271-6SG-300](#) [7282-3PG-300-CH3](#) [75-](#)
[474014-05S](#) [75-474618-01S](#) [75-474618-04P](#) [75-474618-04S](#) [799539-000](#) [MI8-SE](#) [805-005-07NF11-19PC](#) [805-005-07NF15-7PA](#) [8280-4PG-](#)
[516](#) [8280-7PG-519](#) [8282-5PG-519](#) [836783-1](#) [MP-4102-25P-C](#) [862256-1](#) [864019-2](#) [866857-1](#) [867865-1](#) [PT01SP-14-18P](#) [PT08P-14-5S](#)
[PTSF06SE-14-12S](#) [120-1833-000](#) [QCM019PC2DC012B](#) [1-2069279-1](#) [121583-0217](#) [121667-0020](#) [129591AU](#) [1000B BULK](#) [RD10A16-19-](#)
[P6CS051/1](#) [RD10A20-31-P8CS051/1](#) [RD16A14-12-S6CS051/2](#) [1301240290](#) [1301240347](#)