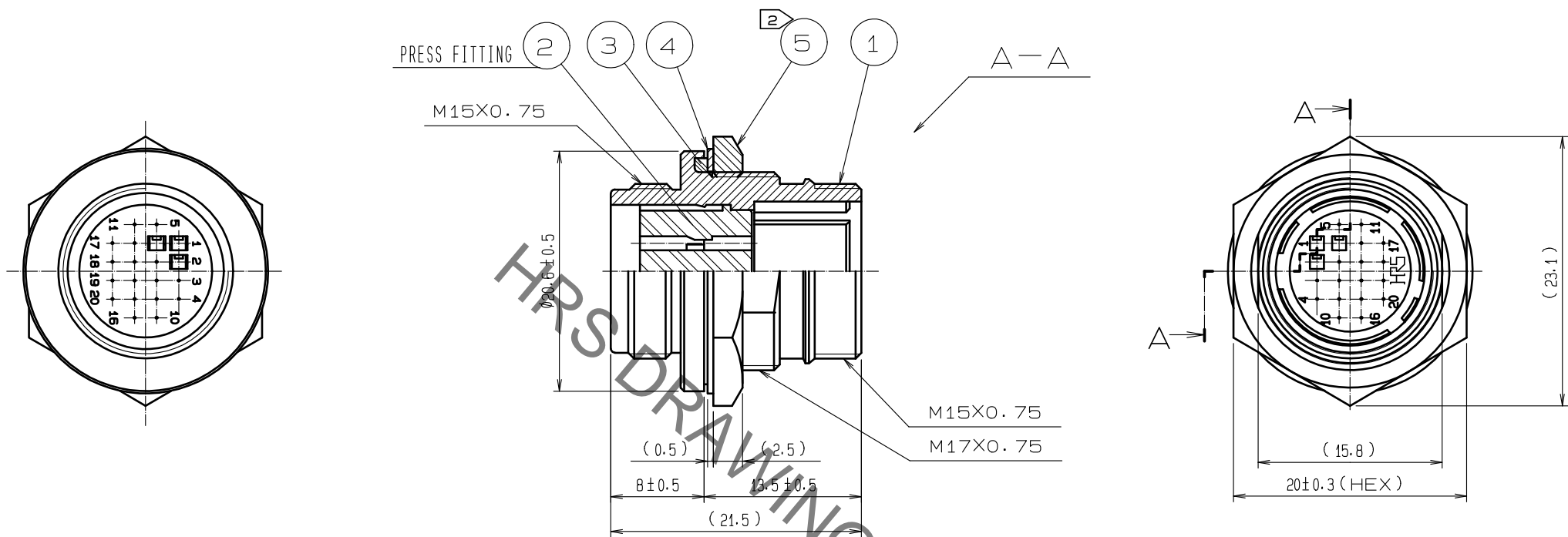
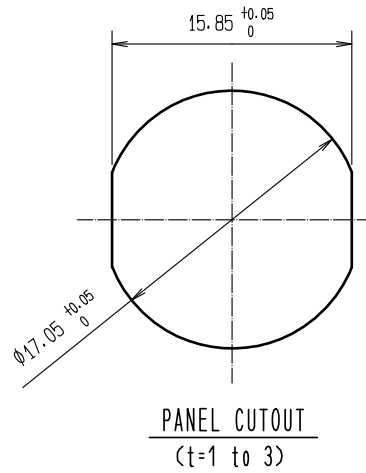


Sep.1.2021 Copyright 2021 HIROSE ELECTRIC CO., LTD. All Rights Reserved.
 In case of consideration for using Automotive equipment / device which demand high reliability, kindly contact our sales window correspondents.



NOTES 1. APPLICABLE CRIMP CONTACT:HR22-PC-222(CL122-0009-0)
 *APPLICABLE WIRE:AWG#24 TO 28. JACKET DIAMETER:φ1.15(MAX)
 APPLICABLE CONTACT REMOVAL TOOL(EXTRACTION TOOL):RP6-SC-TP(CL150-0039-0)
 2 THE RECOMMENDED CLAMP TORQUE, REF. NO. 5 : 2 TO 3N · m.
 AND LOCTITE 243, HENKEL, JAPAN OR EQUIVALENT IS RECOMMENDED TO PREVENT FROM LOOSENING.



3	Silicone rubber	(Black)						
2	Polybutylene terephthalate	(Black) UL94V-0	5	Brass	Nickel plating			
1	Zinc alloy	Nickel plating	4	Brass	Nickel plating			
NO.	MATERIAL	FINISH . REMARKS	NO.	MATERIAL	FINISH . REMARKS			
UNITS	mm	SCALE	2 : 1	COUNT	DESCRIPTION OF REVISIONS	DESIGNED	CHECKED	DATE
HRS HIROSE ELECTRIC CO., LTD.		APPROVED	:EJ. KUNII	16.02.13	DRAWING NO.	EDC-042800-73-00		
		CHECKED	:EJ. KUNII	16.02.13	PART NO.	HR22-12WTRA-20PC(73)		
		DESIGNED	:S.J. SHIMIZU	16.02.13	CODE NO.	CL122-0005-0-73		
		DRAWN	:S.J. SHIMIZU	16.02.13		1/1		

X-ON Electronics

Largest Supplier of Electrical and Electronic Components

Click to view similar products for [Standard Circular Connector](#) category:

Click to view products by [Hirose](#) manufacturer:

Other Similar products are found below :

[5M2530B10P](#) [600259N006](#) [600273N007](#) [6134-336-13149](#) [6134-337-11149](#) [6134-337-2390](#) [6134-341-17149](#) [6280-4SG-516](#) [6280-7SG-3DC](#)
[6290](#) [6291A](#) [66200A-10](#) [680-SMG](#) [681-PMG](#) [CXS3102A14S2P](#) [CXS3102A181S](#) [7251-6SG-300](#) [7271-6SG-300](#) [7282-3PG-300-CH3](#) [75-](#)
[474014-05S](#) [75-474618-01S](#) [75-474618-04P](#) [75-474618-04S](#) [799539-000](#) [MI8-SE](#) [805-005-07NF11-19PC](#) [805-005-07NF15-7PA](#) [8280-4PG-](#)
[516](#) [8280-7PG-519](#) [8282-5PG-519](#) [836783-1](#) [MP-4102-25P-C](#) [862256-1](#) [864019-2](#) [866857-1](#) [867865-1](#) [PT01SP-14-18P](#) [PT08P-14-5S](#)
[PTSF06SE-14-12S](#) [120-1833-000](#) [QCM019PC2DC012B](#) [1-2069279-1](#) [121583-0217](#) [121667-0020](#) [129591AU](#) [1000B BULK](#) [RD10A16-19-](#)
[P6CS051/1](#) [RD10A20-31-P8CS051/1](#) [RD16A14-12-S6CS051/2](#) [1301240290](#) [1301240347](#)