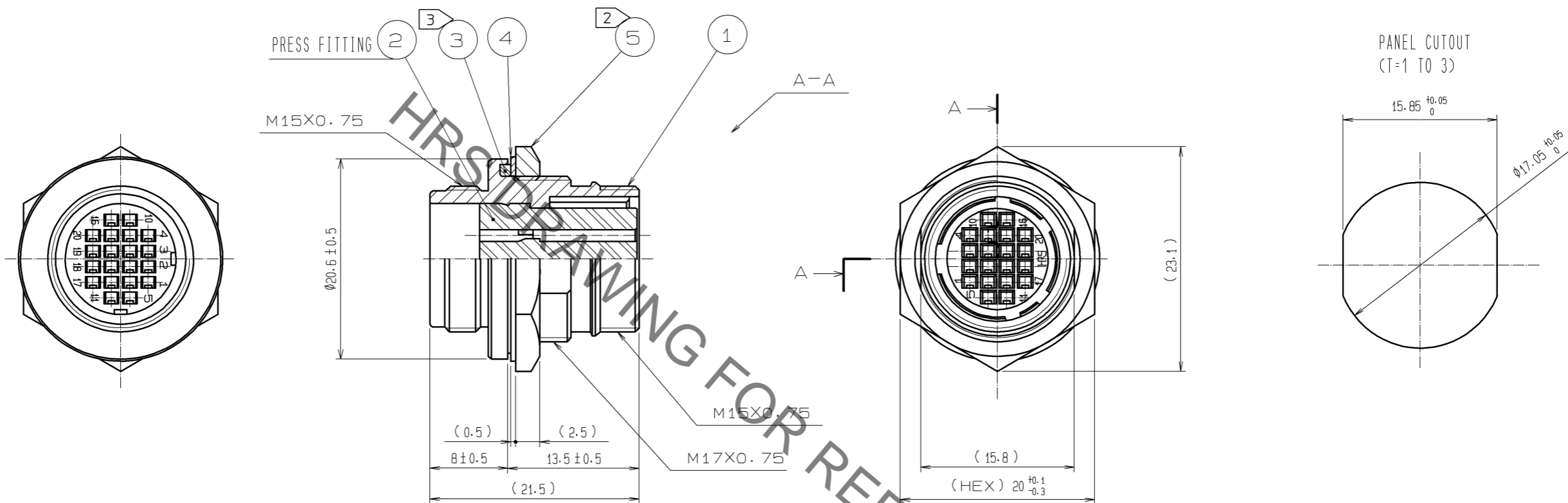


Sep.1.2021 Copyright 2021 HIROSE ELECTRIC CO., LTD. All Rights Reserved.
 In case of consideration for using Automotive equipment / device which demand high reliability, kindly contact our sales window correspondents.



- NOTES
- ① TABLE 1 SHOWS APPLICABLE CRIMP CONTACT AND APPLICABLE TOOL.
 - ② THE RECOMMENDED CLAMP TORQUE OF REF. NO. ②: 3 TO 4 N·m
 LOCTITE 242 HENKEL JAPAN OR EQUIVALENT IS
 RECOMMENDED TO PREVENT REF. NO. ② FROM LOOSENING.
 - ③ MAKE SURE THAT REF. NO. ② DOES NOT HAVE ANY FACTORS TO
 REDUCE WATER-RESISTANCY, SUCH AS SCRATCH, TWIST,
 PINCHING, OR DUST.

① TABLE 1

		LOOSE PIECE CONTACT	STRIP CONTACT
APPLICABLE CRIMP CONTACT		HR22-SC-122 (CL122-0016-6)	HR22-SC-222 (CL122-0008-8)
APPLICABLE CABLE	SIZE	AWG# 24~28	
	JACKET DIAMETER	$\phi 0.7 \sim \phi 1.15$	
APPLICABLE CRIMPING TOOL		HR22-TA2428HC	AUTOMATIC CRIMPING MACHINE: CM-105 APPLICATOR: AP105-HR22-2
CONTACT EXTRACTION TOOL		RP6-SC-TP	

NO.	MATERIAL	FINISH . REMARKS	NO.	MATERIAL	FINISH . REMARKS
3	SILICONE RUBBER	(BLACK)			
2	POLYBUTYLENE TEREPHTHALATE	(BLACK) UL94V-0	5	BRASS	NICKEL PLATING
1	ZINC ALLOY	NICKEL PLATING	4	BRASS	NICKEL PLATING

UNITS	SCALE	COUNT	DESCRIPTION OF REVISIONS	DESIGNED	CHECKED	DATE
mm	2 : 1	△				
APPROVED : SU. OBARA			11.02.18	DRAWING NO. EDC3-045137-73		
CHECKED : HY. KISHI			11.02.18	PART NO. HR22-12WTRA-20SC(73)		
DESIGNED : WR. AJIRO			11.02.18	CODE NO. CL122-0021-6-73		
DRAWN : WR. AJIRO			11.02.18	△ 1/1		

X-ON Electronics

Largest Supplier of Electrical and Electronic Components

Click to view similar products for [Standard Circular Connector](#) category:

Click to view products by [Hirose](#) manufacturer:

Other Similar products are found below :

[5M2530B10P](#) [600259N006](#) [600273N007](#) [6134-336-13149](#) [6134-337-11149](#) [6134-337-2390](#) [6134-341-17149](#) [6280-4SG-516](#) [6280-7SG-3DC](#)
[6290](#) [6291A](#) [66200A-10](#) [680-SMG](#) [681-PMG](#) [CXS3102A14S2P](#) [CXS3102A181S](#) [7251-6SG-300](#) [7271-6SG-300](#) [7282-3PG-300-CH3](#) [75-](#)
[474014-05S](#) [75-474618-01S](#) [75-474618-04S](#) [799539-000](#) [MI8-SE](#) [805-005-07NF11-19PC](#) [805-005-07NF15-7PA](#) [8280-4PG-516](#) [8280-7PG-](#)
[519](#) [8282-5PG-519](#) [836783-1](#) [MP-4102-25P-C](#) [862256-1](#) [864019-2](#) [866857-1](#) [867865-1](#) [PT01SP-14-18P](#) [PT08P-14-5S](#) [PTSF06SE-14-12S](#)
[120-1833-000](#) [QCM019PC2DC012B](#) [1-2069279-1](#) [121583-0217](#) [121667-0020](#) [129591AU](#) [1000B BULK](#) [RD10A16-19-P6CS051/1](#)
[RD10A20-31-P8CS051/1](#) [RD16A14-12-S6CS051/2](#) [1301240290](#) [1301240347](#) [1301860202](#)