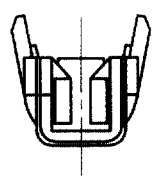
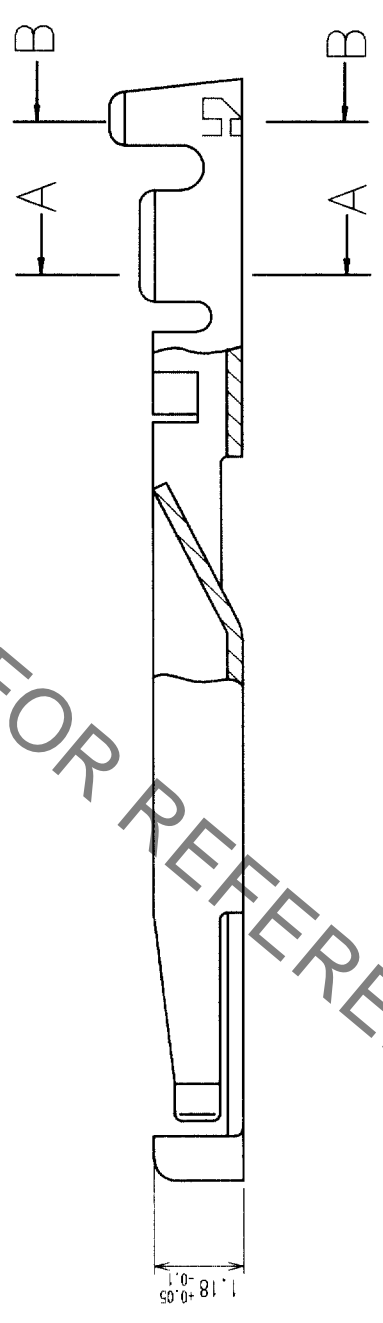
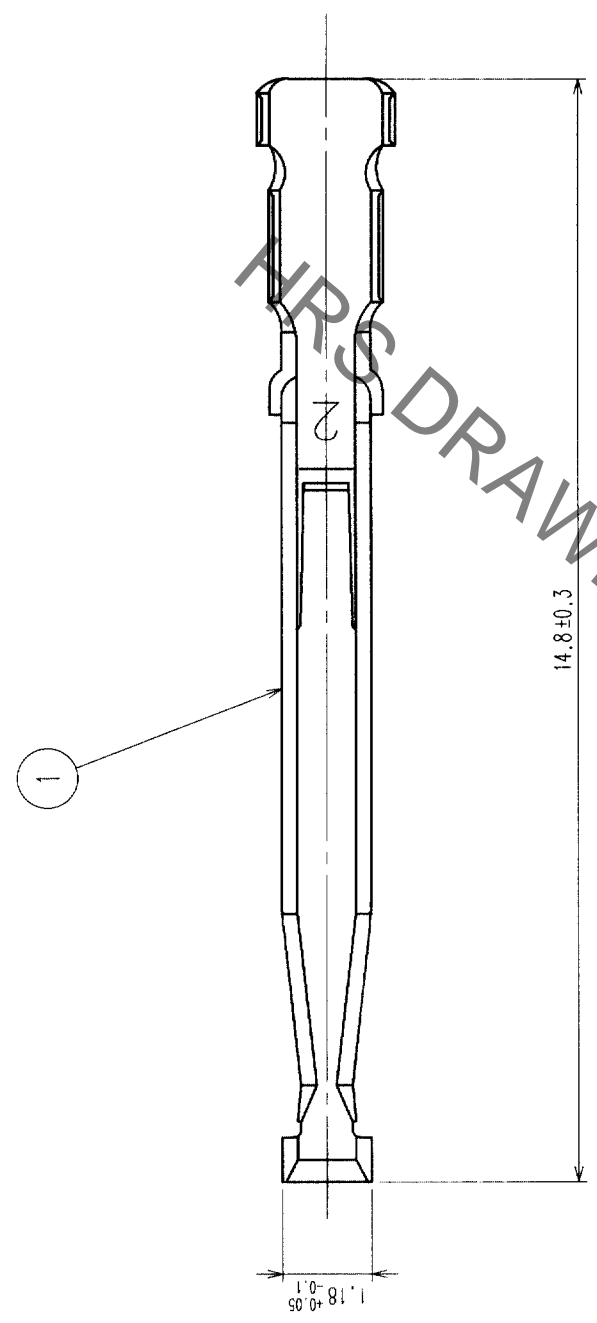
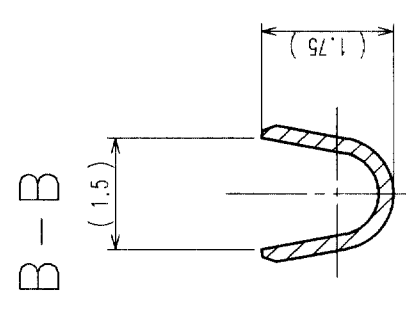
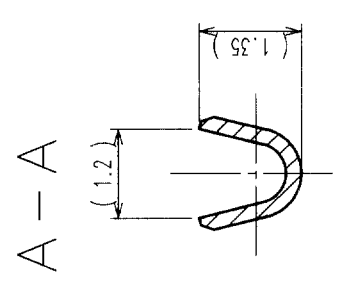


In case of consideration for using Automotive equipment / device which demand high reliability, kindly contact our sales window correspondents.

Aug.1.2021 Copyright 2021 HIROSE ELECTRIC CO., LTD. All Rights Reserved.

COUNT	DESCRIPTION OF REVISIONS	BY	CHKD	DATE	COUNT	DESCRIPTION OF REVISIONS	BY	CHKD	DATE
△					△				
△					△				
△					△				



- NOTE
- 1 APPLICABLE WIRE: AWG#24-28(JACKET DIAMETER φ1.15 MAX)
 - 2 APPLICABLE CRIMPING TOOL: HR22-TA2428HC(CL150-0200-4)
 - 3 APPLICABLE CRIMP CONTACT EXTRACTION TOOL: RP6-SC-TP(CL150-0039-0)
 - 4 A PACKAGE CONTAINING 100 PIECES.

TO R (USA)

1 PHOSPHOR BRONZE SILVER PLATED		FINISH, REMARKS		MATERIAL		FINISH, REMARKS	
NO.	MATERIAL	FINISH, REMARKS	NO.	DESIGNED	CHECKED	APPROVED	RELEASED
1	PHOSPHOR BRONZE SILVER PLATED			H. ZEMBA	M. SATO	M. GOSHIDA	
CODE NO. (OLD)		DRAWN		DESIGNED		APPROVED	
		G. MONTANA		H. ZEMBA		M. GOSHIDA	
		99.10.06		99.10.06		99.10.07	
DRAWING NO.		PART NO.		FINISH, REMARKS		FINISH, REMARKS	
EDC3-044336		HR22-SC-122					
SCALE		UNITS		CODE NO.		CODE NO.	
10 : 1		JTTT		CL122-0016-6		CL122-0016-6	
				1		1	

X-ON Electronics

Largest Supplier of Electrical and Electronic Components

Click to view similar products for [Standard Circular Contacts](#) category:

Click to view products by [Hirose](#) manufacturer:

Other Similar products are found below :

[RC16M23J](#) [133780-1](#) [RM20M13D28](#) [RM24M9D28](#) [MS3474W10-6P L/C](#) [ELVP16100E](#) [164-901-CD](#) [EN3545007SCE](#)
[BV002BSQ20049CZ](#) [BV002SSQ160404CZ](#) [1900ND05S1B00B](#) [192900-0061](#) [192900-0575](#) [192900-0718](#) [166566-1](#) [1900ND04S1X00D](#)
[192900-0058](#) [192900-0309](#) [ST-JL05-16S-C3-100](#) [ST-JL05-20S-C1-100](#) [ST-JL05-20S-C2-100](#) [T01-CRIMP-S03](#) [APK-SA16A07-002](#) [CONT-](#)
[JL05-08S-C2-10](#) [RC16M-23T](#) [RFD26L-1D28](#) [BV002ASJ16049CW](#) [JN1-22-20S-R-PKG100](#) [031-50565](#) [ELFH08251](#) [SJS861301M](#) [ST-](#)
[JL05-16S-C1-100](#) [ST-JL05-20P-C1-100](#) [82911466K](#) [ESLM03200](#) [192991-0087](#) [192900-0570](#) [ELFH07251](#) [44-104-10003-02](#) [T3P16FC3LZ](#)
[ST-JL05-16S-C2-3500](#) [ZP-4016-10NF](#) [CONT-JL05-12P-C1-10](#) [RM20M12G8D28](#) [031-50676](#) [12115010110](#) [RJFTVC2MG](#) [CAP-](#)
[DACMDPC2](#) [031-50675-002](#) [CAP-DD1FDPC2](#)