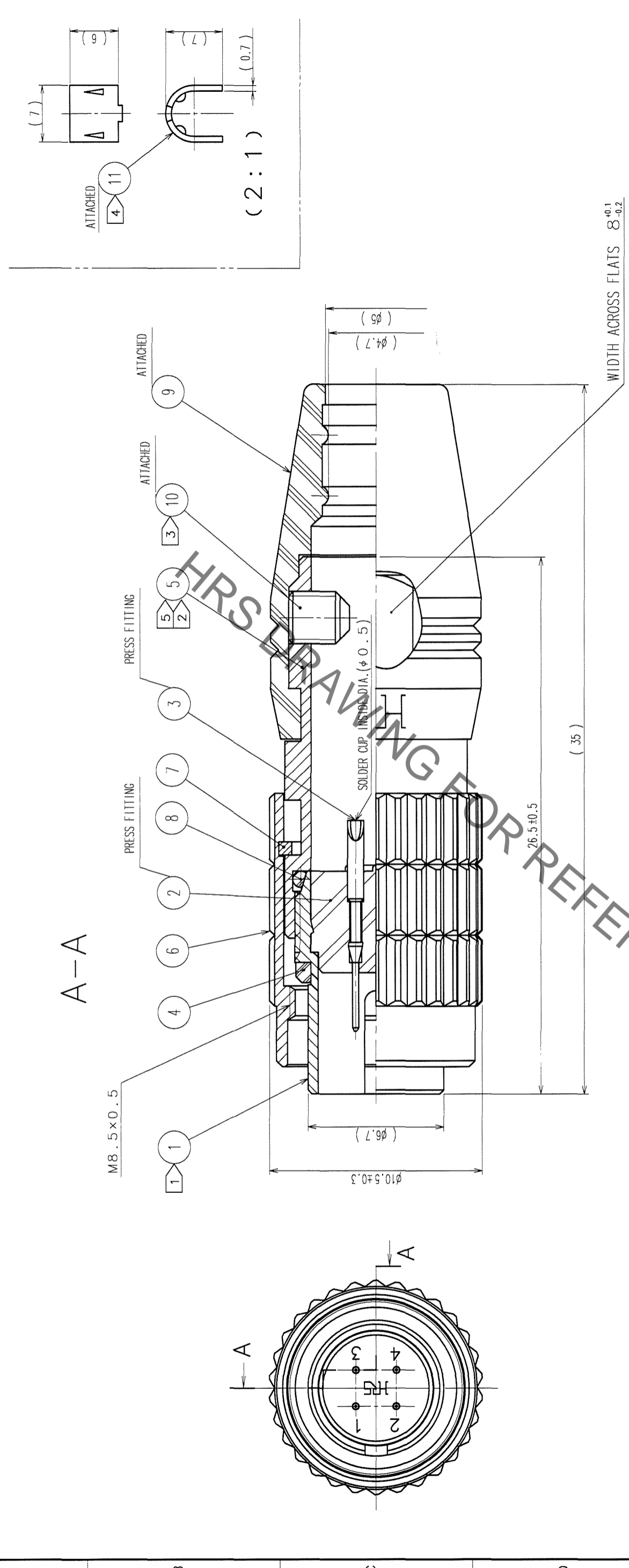


COUNT	DESCRIPTION OF REVISIONS	BY	CHKD	DATE

COUNT	DESCRIPTION OF REVISIONS	BY	CHKD	DATE

COUNT	DESCRIPTION OF REVISIONS	BY	CHKD	DATE

COUNT	DESCRIPTION OF REVISIONS	BY	CHKD	DATE



NOTE ① THREAD PORTION OF REF. NO.① IS APPLIED WITH PRECOATING TO PREVENT LOOSENESS.
HOWEVER THE ADHESIVE EFFECTIVENESS IS DECREASED WHEN REUSED. THEREFORE, TREAD PORTION IS RECOMMENDED TO COAT WITH LOCTITE 271 MANUFACTURED BY HENKEL JAPAN OR EQUIVALENT.
② THE RECOMMENDED TIGHTENING TORQUE OF REF. NO.⑤ TO BE 1 N · m.
③ THE TIP OF REF. NO.⑩ SHALL BE FIXED TO THE CONCAVE PORTION WITH REF. NO.⑪ CLAMPED TO THE CABLE.
OPPOSITE SIDE DIMENSION OF A HEXAGON SOCKET OF REF. NO.⑩ IS 1.27mm.
AND THE RECOMMENDED TIGHTENING TORQUE OF REF. NO.⑩ TO BE 0.3 TO 0.4 N · m.
④ MANUAL CRIMPING TOOL OF REF. NO.⑪ : HR10A-TC- 02 (THE HOLE DIAMETER FOR CRIMPING : φ 5.3)
⑤ ROTATION EXAMPLES OF REF. NO.① AND ⑧ ARE SHOWN.
⑥ OVER PLATING : GOLD 0.2μ m min.
UNDER PLATING : NICKEL 2μ m min.

NO.	MATERIAL	FINISH, REMARKS	NO.	MATERIAL	FINISH, REMARKS
6	BRASS	NICKEL PLATING	11	BRASS	
5	BRASS	NICKEL PLATING (BLACK)	10	STEEL	NICKEL PLATING (BLACK)
4	EPDM	⑥	9	EPDM	(BLACK)
3	PHOSPHOR BRONZE	(BLACK) 94V-0	8	EPDM	(BLACK)
2	PPS	MATTE FINISH NICKEL PLATED	7	PHOSPHOR BRONZE	NICKEL PLATING
1	ZINC ALLOY				

CODE NO. (OLD)	CL	DESIGNED	CHECKED	APPROVED	RELEASED
		H. Kawashima	T. Ohgawara	M. Saito	
		05.11.17	05.11.25	05.11.30	
		DRAWING NO. EDC3-048670-72		PART NO. HR25-7TP-4P(72)	
		SCALE 5 : 1		CODE NO. CL125-0001-8-72	
		UNITS (mm)		1/1	

TO	
R	

X-ON Electronics

Largest Supplier of Electrical and Electronic Components

Click to view similar products for [Standard Circular Connector](#) category:

Click to view products by [Hirose](#) manufacturer:

Other Similar products are found below :

[5M2530B10P](#) [600259N006](#) [600273N007](#) [6134-336-13149](#) [6134-337-11149](#) [6134-337-2390](#) [6134-341-17149](#) [6280-4SG-516](#) [6280-7SG-3DC](#)
[6290](#) [6291A](#) [66200A-10](#) [680-SMG](#) [681-PMG](#) [CXS3102A14S2P](#) [CXS3102A181S](#) [7251-6SG-300](#) [7271-6SG-300](#) [7282-3PG-300-CH3](#) [75-](#)
[474014-05S](#) [75-474618-01S](#) [75-474618-04S](#) [799539-000](#) [MI8-SE](#) [805-005-07NF11-19PC](#) [805-005-07NF15-7PA](#) [8280-4PG-516](#) [8280-7PG-](#)
[519](#) [8282-5PG-519](#) [836783-1](#) [MP-4102-25P-C](#) [862256-1](#) [864019-2](#) [866857-1](#) [867865-1](#) [PT01SP-14-18P](#) [PT08P-14-5S](#) [PTSF06SE-14-12S](#)
[120-1833-000](#) [QCM019PC2DC012B](#) [1-2069279-1](#) [121583-0217](#) [121667-0020](#) [129591AU](#) [1000B BULK](#) [RD10A16-19-P6CS051/1](#)
[RD10A20-31-P8CS051/1](#) [RD16A14-12-S6CS051/2](#) [1301240290](#) [1301240347](#) [1301860202](#)