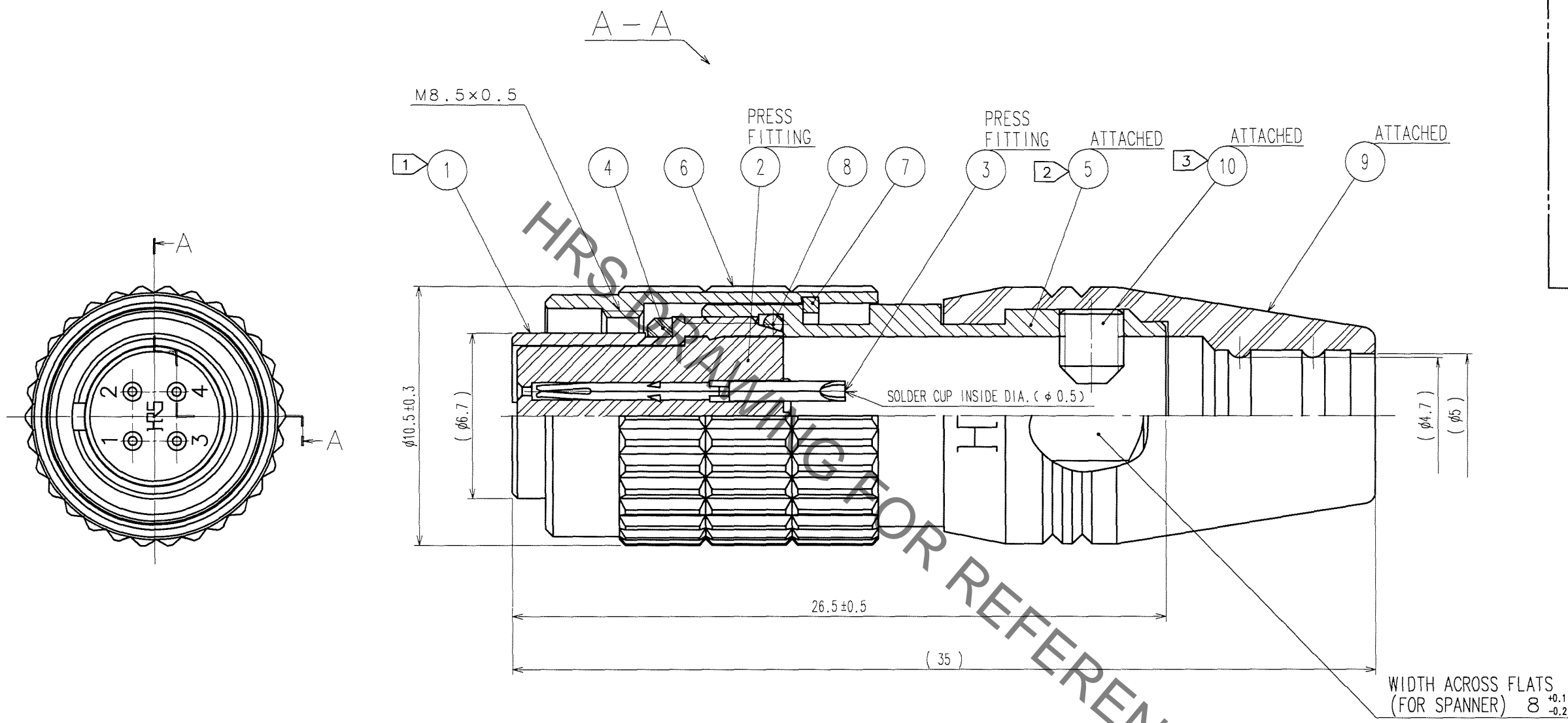


Sep.1.2021 Copyright 2021 HIROSE ELECTRIC CO., LTD. All Rights Reserved.
In case of consideration for using Automotive equipment / device which demand high reliability, kindly contact our sales window correspondents.

5					6					7					8				
COUNT	DESCRIPTION OF REVISIONS				BY	CHKD	DATE	COUNT	DESCRIPTION OF REVISIONS				BY	CHKD	DATE				
△							..	△							..				
△							..	△							..				
△							..	△							..				



- NOTES
- ① THREAD PORTION OF REF. No. ① IS APPLIED WITH PRECOATING TO PREVENT LOOSENESS. HOWEVER, THE ADHESIVE EFFECTIVENESS IS DECREASED WHEN REUSED. THEREFORE, THREAD PORTION IS RECOMMENDED TO COAT WITH LOCTITE 271 MANUFACTURED BY HENKEL JAPAN OR EQUIVALENT.
 - ② THE RECOMMENDED TIGHTENING TORQUE OF REF. No. ⑤ TO BE 1 N·m.
 - ③ THE TIP OF REF. No. ⑩ SHALL BE FIXED TO THE CONCAVE PORTION WITH REF. No. ⑪ CLAMPED TO THE CABLE. OPPOSITE SIDE DIMENSION OF A HEXAGON SOCKET OF REF. No. ⑩ IS 1.27mm. AND THE RECOMMENDED TIGHTENING TORQUE OF REF. No. ⑩ TO BE 0.3 TO 0.4 N·m.
 - ④ MANUAL CRIMPING TOOL OF REF. No. ⑪ : HR10A-TC-02(CL150-0041-2)(THE HOLE DIAMETER FOR CRIMPING: φ 5.3)
 - ⑤ ROTATION EXAMPLES OF REF. No. ① AND ⑤ ARE SHOWN.
 - ⑥ SURFACE PLATING : GOLD 0.2μ m min.
TERMINAL PLATING: GOLD FLASH.
UNDER PLATING : NICKEL 2μ m min.
 - ⑦ THE CABLE PULL AND TWISTING STRENGTH AND OTHER CHARACTERISTICS MAY DIFFER, DEPENDING ON THE CABLE STRUCTURE. PLEASE CONFIRM BEFORE THE USE.

6	BRASS	NICKEL PLATING			
5	BRASS	NICKEL PLATING	11	BRASS	
4	ETHYLENE PROPYLENE RUBBER	(BLACK)	10	STEEL	NICKEL PLATING M2.6×0.45×3
3	PHOSPHOR BRONZE	⑥	9	ETHYLENE PROPYLENE RUBBER	(BLACK)
2	POLYPHENYLENE SULFIDE	(BLACK) 94V-0	8	ETHYLENE PROPYLENE RUBBER	(BLACK)
1	ZINC ALLOY	MATTE FINISH NICKEL PLATED	7	PHOSPHOR BRONZE	NICKEL PLATING
NO.	MATERIAL	FINISH, REMARKS	NO.	MATERIAL	FINISH, REMARKS

CODE NO. (OLD) CL	DRAWN <i>M. Sato</i> 07.06.20	DESIGNED H. Kawashima 07.06.20	CHECKED <i>y. Jowaden</i> 07.06.20	APPROVED <i>E. Kanu</i> 07.06.20	RELEASED ..
DRAWING NO. EDC3-110173-72		PART NO. HR25-7TP-4S(72)			
SCALE 2 : 1		CODE NO. CL125-0002-0-72		1 / 1	
UNITS mm		HIROSE ELECTRIC CO., LTD			

TO
R

X-ON Electronics

Largest Supplier of Electrical and Electronic Components

Click to view similar products for [Standard Circular Connector](#) category:

Click to view products by [Hirose](#) manufacturer:

Other Similar products are found below :

[5M2530B10P](#) [600259N006](#) [600273N007](#) [6134-336-13149](#) [6134-337-11149](#) [6134-337-2390](#) [6134-341-17149](#) [6280-4SG-516](#) [6280-7SG-3DC](#)
[6290](#) [6291A](#) [66200A-10](#) [680-SMG](#) [681-PMG](#) [CXS3102A14S2P](#) [CXS3102A181S](#) [7251-6SG-300](#) [7271-6SG-300](#) [7282-3PG-300-CH3](#) [75-](#)
[474014-05S](#) [75-474618-01S](#) [75-474618-04P](#) [75-474618-04S](#) [799539-000](#) [MI8-SE](#) [805-005-07NF11-19PC](#) [805-005-07NF15-7PA](#) [8280-4PG-](#)
[516](#) [8280-7PG-519](#) [8282-5PG-519](#) [836783-1](#) [MP-4102-25P-C](#) [862256-1](#) [864019-2](#) [866857-1](#) [867865-1](#) [PT01SP-14-18P](#) [PT08P-14-5S](#) [120-](#)
[1833-000](#) [QCM019PC2DC012B](#) [1-2069279-1](#) [121583-0217](#) [121667-0020](#) [129591AU](#) [1000B BULK](#) [RD10A16-19-P6CS051/1](#) [RD10A20-31-](#)
[P8CS051/1](#) [RD16A14-12-S6CS051/2](#) [1301240290](#) [1301240347](#) [1301860202](#)