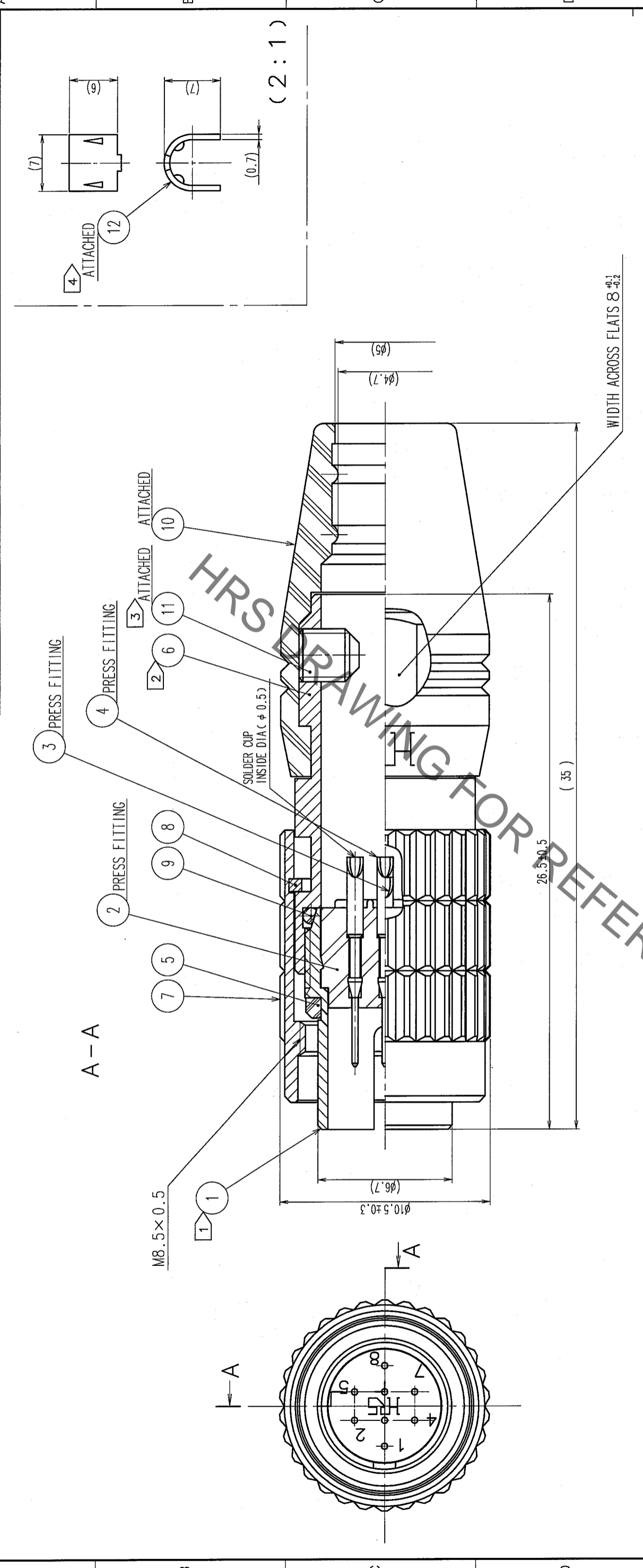


2 In case of consideration for using Automotive equipment / device which demand high reliability, kindly contact our sales window correspondents.

7

8

COUNT	DESCRIPTION OF REVISIONS	BY	CHKD	DATE	COUNT	DESCRIPTION OF REVISIONS	BY	CHKD	DATE
△					△				
△					△				
△					△				



NOTE 1) THREAD PORTION OF REF. NO. 1 IS APPLIED WITH PRECOATING TO PREVENT LOOSENESS. HOWEVER, THE ADHESIVE EFFECTIVENESS IS DECREASED WHEN REUSED. THEREFORE, TREAD PORTION IS RECOMMENDED TO COAT WITH LOCTITE 271 MANUFACTURED BY HENKEL JAPAN OR EQUIVALENT.

2) THE RECOMMENDED TIGHTENING TORQUE OF REF. NO. 6 TO BE 1 N · m.

3) THE TIP OF REF. NO. 11 SHALL BE FIXED TO THE CONCAVE PORTION WITH REF. NO. 12 CLAMPED TO THE CABLE.

4) OPPOSITE SIDE DIMENSION OF A HEXAGON SOCKET OF REF. NO. 11 IS 1.27mm. AND THE RECOMMENDED TIGHTENING TORQUE OF REF. NO. 11 TO BE 0.3 TO 0.4 N · m.

5) MANUAL CRIMPING TOOL OF REF. NO. 12 : HR10A-TC-02 (THE HOLE DIAMETER FOR CRIMPING : φ 5.3)

6) ROTATION EXAMPLES OF REF. NO. 1 AND 6 ARE SHOWN.

7) OVER PLATING : GOLD 0.2μm min.

8) UNDER PLATING : NICKEL 2μm min.

NO.	MATERIAL	FINISH, REMARKS	NO.	MATERIAL	FINISH, REMARKS
6	BRASS	NICKEL PLATING (BLACK)	12	BRASS	
5	EPDM		11	STEEL	NICKEL PLATING M2.6x0.45x3
4	PHOSPHOR BRONZE	6	10	EPDM	(BLACK)
3	PHOSPHOR BRONZE	6	9	EPDM	(BLACK)
2	PPS	(BLACK) UL94V-0	8	PHOSPHOR BRONZE	NICKEL PLATING
1	ZINC ALLOY	MATTE FINISH NICKEL PLATING	7	BRASS	NICKEL PLATING

CODE NO. (OLD)	CL	DESIGNED	CHECKED	APPROVED	RELEASED
		H. Kawashima	H. Kawashima	J. Ohgama	M. Sato
		'05.11.5	'05.11.5	'05.11.05	05.11.05

DRAWING NO.	PART NO.
EDC3-047695-72	HR25-7TP-8P(72)

SCALE	UNITS	CODE NO.
5 : 1	mm	CL125-0005-9-72

X-ON Electronics

Largest Supplier of Electrical and Electronic Components

Click to view similar products for [Standard Circular Connector](#) category:

Click to view products by [Hirose](#) manufacturer:

Other Similar products are found below :

[5M2530B10P](#) [600259N006](#) [600273N007](#) [6134-336-13149](#) [6134-337-11149](#) [6134-337-2390](#) [6134-341-17149](#) [6280-4SG-516](#) [6280-7SG-3DC](#)
[6290](#) [6291A](#) [66200A-10](#) [680-SMG](#) [681-PMG](#) [CXS3102A14S2P](#) [CXS3102A181S](#) [7251-6SG-300](#) [7271-6SG-300](#) [7282-3PG-300-CH3](#) [75-](#)
[474014-05S](#) [75-474618-01S](#) [75-474618-04S](#) [799539-000](#) [MI8-SE](#) [805-005-07NF11-19PC](#) [805-005-07NF15-7PA](#) [8280-4PG-516](#) [8280-7PG-](#)
[519](#) [8282-5PG-519](#) [836783-1](#) [MP-4102-25P-C](#) [862256-1](#) [864019-2](#) [866857-1](#) [867865-1](#) [PT01SP-14-18P](#) [PT08P-14-5S](#) [PTSF06SE-14-12S](#)
[120-1833-000](#) [QCM019PC2DC012B](#) [1-2069279-1](#) [121583-0217](#) [121667-0020](#) [129591AU](#) [1000B BULK](#) [RD10A16-19-P6CS051/1](#)
[RD10A20-31-P8CS051/1](#) [RD16A14-12-S6CS051/2](#) [1301240290](#) [1301240347](#) [1301860202](#)