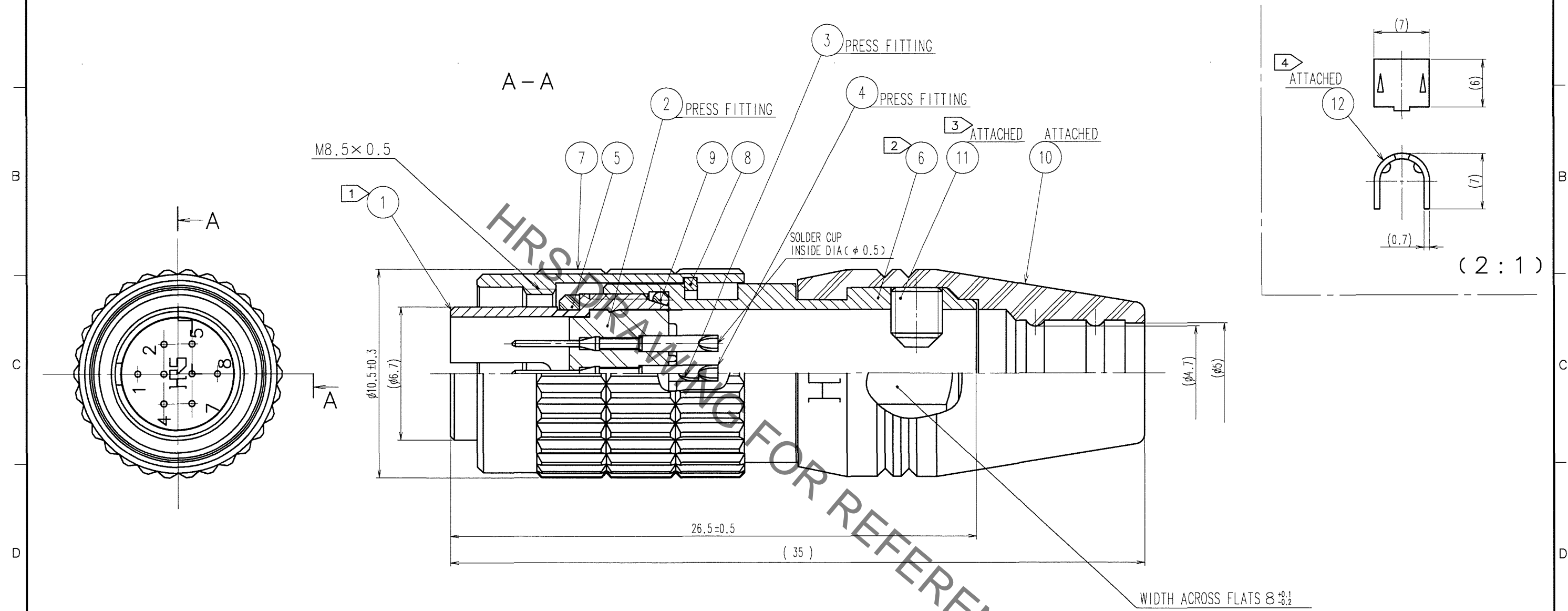


Aug.1.2021 Copyright 2021 HIROSE ELECTRIC CO., LTD. All Rights Reserved.
In case of consideration for using Automotive equipment / device which demand high reliability, kindly contact our sales window correspondents.

COUNT	DESCRIPTION OF REVISIONS	BY	CHKD	DATE	COUNT	DESCRIPTION OF REVISIONS	BY	CHKD	DATE
△				..	△				..
△				..	△				..
△				..	△				..



- NOTES
- ① THREAD PORTION OF REF.NO. ① IS APPLIED WITH PRECOATING TO PREVENT LOOSENESS. HOWEVER, THE ADHESIVE EFFECTIVENESS IS DECREASED WHEN REUSED. THEREFORE, TREAD PORTION IS RECOMMENDED TO COAT WITH LOCTITE 271 MANUFACTURED BY HENKEL JAPAN OR EQUIVALENT.
 - ② THE RECOMMENDED TIGHTENING TORQUE OF REF NO. ⑥ TO BE 1 N·m.
 - ③ THE TIP OF REF.NO. ⑪ SHALL BE FIXED TO THE CONCAVE PORTION WITH REF.NO. ⑫ CLAMPED TO THE CABLE. OPPOSITE SIDE DIMENSION OF A HEXAGON SOCKET OF REF.NO. ⑪ IS 1.27mm. AND THE RECOMMENDED TIGHTENING TORQUE OF REF.NO. ⑪ TO BE 0.3 TO 0.4 N·m.
 - ④ MANUAL CRIMPING TOOL OF REF.NO. ⑫ : HR10A-TC-02 (THE HOLE DIAMETER FOR CRIMPING : φ 5.3)
 - 5 ROTATION EXAMPLES OF REF.NO. ① AND ⑥ ARE SHOWN.
 - ⑥ OVER PLATING : GOLD 0.2μm min.
UNDER PLATING : NICKEL 2μm min.

6	BRASS	BLACK CHROME PLATING	12	BRASS	
5	ETHYLENE-PROPYLENE-DIENE	(BLACK)	11	STEEL	NICKEL PLATING M2.6×0.45×3
4	PHOSPHOR BRONZE	⑥	10	ETHYLENE-PROPYLENE-DIENE	(BLACK)
3	PHOSPHOR BRONZE	⑥	9	ETHYLENE-PROPYLENE-DIENE	(BLACK)
2	PPS	(BLACK) UL94V-0	8	PHOSPHOR BRONZE	NICKEL PLATING
1	ZINC ALLOY	MATTE FINISH NICKEL PLATING	7	BRASS	BLACK CHROME PLATING
NO.	MATERIAL	FINISH, REMARKS	NO.	MATERIAL	FINISH, REMARKS

CODE NO. (OLD) CL		DRAWN T.Suzuki 06.08.02	DESIGNED Y.Yamada 06.08.02	CHECKED /	APPROVED M.Saito 06.08.02	RELEASED /
DRAWING NO. EDC3-047695-73		PART NO. HR25-7TP-8P(73)				
SCALE 5 : 1		CODE NO. CL125-0005-9-73				
UNITS mm		HRS HIROSE ELECTRIC CO., LTD				

TO
R



X-ON Electronics

Largest Supplier of Electrical and Electronic Components

Click to view similar products for [Standard Circular Connector](#) category:

Click to view products by [Hirose](#) manufacturer:

Other Similar products are found below :

[5M2530B10P](#) [600259N006](#) [600273N007](#) [6134-336-13149](#) [6134-337-11149](#) [6134-337-2390](#) [6134-341-17149](#) [6280-4SG-516](#) [6280-7SG-3DC](#)
[6290](#) [6291A](#) [66200A-10](#) [680-SMG](#) [681-PMG](#) [CXS3102A14S2P](#) [CXS3102A181S](#) [7251-6SG-300](#) [7271-6SG-300](#) [7282-3PG-300-CH3](#) [75-](#)
[474014-05S](#) [75-474618-01S](#) [75-474618-04S](#) [799539-000](#) [MI8-SE](#) [805-005-07NF11-19PC](#) [805-005-07NF15-7PA](#) [8280-4PG-516](#) [8280-7PG-](#)
[519](#) [8282-5PG-519](#) [836783-1](#) [MP-4102-25P-C](#) [862256-1](#) [864019-2](#) [866857-1](#) [867865-1](#) [PT01SP-14-18P](#) [PT08P-14-5S](#) [PTSF06SE-14-12S](#)
[120-1833-000](#) [QCM019PC2DC012B](#) [1-2069279-1](#) [121583-0217](#) [121667-0020](#) [129591AU](#) [1000B BULK](#) [RD10A16-19-P6CS051/1](#)
[RD10A20-31-P8CS051/1](#) [RD16A14-12-S6CS051/2](#) [1301240290](#) [1301240347](#) [1301860202](#)