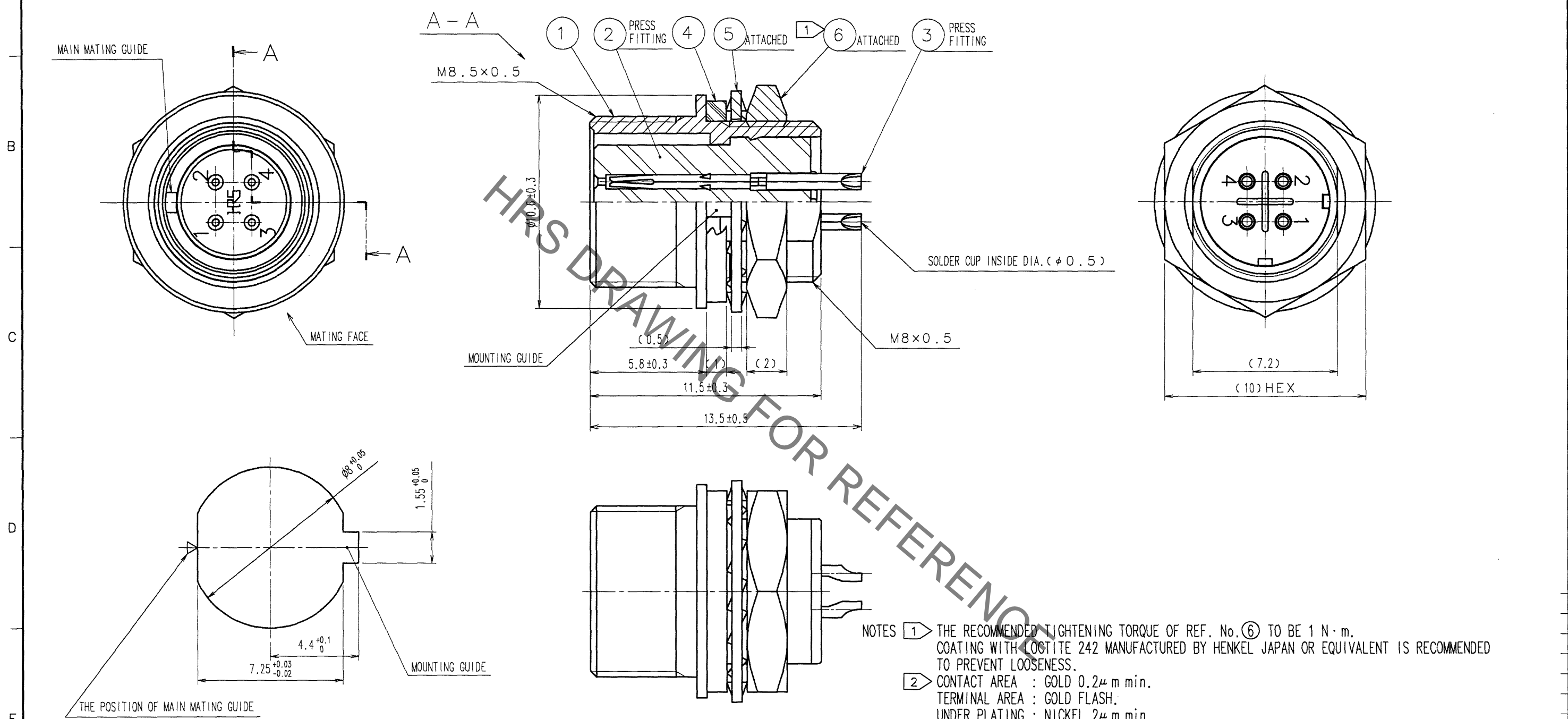


Sep.1.2021 Copyright 2021 HIROSE ELECTRIC CO., LTD. All Rights Reserved.  
In case of consideration for using Automotive equipment / device which demand high reliability, kindly contact our sales window correspondents.

| COUNT | DESCRIPTION OF REVISIONS | BY | CHKD | DATE | COUNT | DESCRIPTION OF REVISIONS | BY | CHKD | DATE |
|-------|--------------------------|----|------|------|-------|--------------------------|----|------|------|
| △     |                          |    |      | ..   | △     |                          |    |      | ..   |
| △     |                          |    |      | ..   | △     |                          |    |      | ..   |
| △     |                          |    |      | ..   | △     |                          |    |      | ..   |



PANEL CUTOUT FROM MATING FACE  
PANEL THICKNESS= 0.7 TO 2

- NOTES
- ① THE RECOMMENDED TIGHTENING TORQUE OF REF. No. ⑥ TO BE 1 N·m. COATING WITH LOSTITE 242 MANUFACTURED BY HENKEL JAPAN OR EQUIVALENT IS RECOMMENDED TO PREVENT LOOSENESS.
  - ② CONTACT AREA : GOLD 0.2μ m min.  
TERMINAL AREA : GOLD FLASH.  
UNDER PLATING : NICKEL 2μ m min.

| 3   | PHOSPHOR BRONZE               | ②                           | 6   | BRASS                     | NICKEL PLATING  |
|-----|-------------------------------|-----------------------------|-----|---------------------------|-----------------|
| 2   | POLYPHENYLENE SULFIDE (BLACK) | UL94V-0                     | 5   | PHOSPHOR BRONZE           | NICKEL PLATING  |
| 1   | ZINC ALLOY                    | MATTE FINISH NICKEL PLATING | 4   | ETHYLENE PROPYLENE RUBBER | (BLACK)         |
| NO. | MATERIAL                      | FINISH, REMARKS             | NO. | MATERIAL                  | FINISH, REMARKS |

| CODE NO. (OLD) | CL | DRAWN        | DESIGNED     | CHECKED   | APPROVED  | RELEASED |
|----------------|----|--------------|--------------|-----------|-----------|----------|
|                |    | H. Kawashima | H. Kawashima | E. Kurui  | M. Sato   |          |
|                |    | '06.10.14    | '06.10.14    | '06.10.14 | '06.10.14 |          |

|       |       |                          |                |          |                 |
|-------|-------|--------------------------|----------------|----------|-----------------|
| SCALE | 5 : 1 | DRAWING NO.              | EDC3-048671-73 | PART NO. | HR25-7TR-4S(73) |
| UNITS | mm    | HIROSE ELECTRIC CO., LTD |                | CODE NO. | CL125-0007-4-73 |

|    |
|----|
| TO |
| R  |
|    |
|    |

## X-ON Electronics

Largest Supplier of Electrical and Electronic Components

*Click to view similar products for [Standard Circular Connector](#) category:*

*Click to view products by [Hirose](#) manufacturer:*

Other Similar products are found below :

[5M2530B10P](#) [600259N006](#) [600273N007](#) [6134-336-13149](#) [6134-337-11149](#) [6134-337-2390](#) [6134-341-17149](#) [6280-4SG-516](#) [6280-7SG-3DC](#)  
[6290](#) [6291A](#) [66200A-10](#) [680-SMG](#) [681-PMG](#) [CXS3102A14S2P](#) [CXS3102A181S](#) [7251-6SG-300](#) [7271-6SG-300](#) [7282-3PG-300-CH3](#) [75-](#)  
[474014-05S](#) [75-474618-01S](#) [75-474618-04S](#) [799539-000](#) [MI8-SE](#) [805-005-07NF11-19PC](#) [805-005-07NF15-7PA](#) [8280-4PG-516](#) [8280-7PG-](#)  
[519](#) [8282-5PG-519](#) [836783-1](#) [MP-4102-25P-C](#) [862256-1](#) [864019-2](#) [866857-1](#) [867865-1](#) [PT01SP-14-18P](#) [PT08P-14-5S](#) [PTSF06SE-14-12S](#)  
[120-1833-000](#) [QCM019PC2DC012B](#) [1-2069279-1](#) [121583-0217](#) [121667-0020](#) [129591AU](#) [1000B BULK](#) [RD10A16-19-P6CS051/1](#)  
[RD10A20-31-P8CS051/1](#) [RD16A14-12-S6CS051/2](#) [1301240290](#) [1301240347](#) [1301860202](#)